



Quality Access Doors - FAST!

SUBMITTAL/TECHNICAL DATA SHEET

www.AccessDoorsAndPanels.com

APPLICATION

- Maintains the fire rating of a 2 hour floor ceiling assembly
- Designed for interior applications

FEATURES

- Flush aluminum diamond plate cover
- Warnock Hersey International 2 hour fire rating
- Tested to NFPA 288 ; ASTM E 119

SPECIFICATIONS

MATERIAL: Aluminum door & top frame ; Stainless steel bottom frame, hinges & hardware

DOOR: 1/4" aluminum diamond plate reinforced for live load of 150 lb/per sq. ft.

FRAME: 3" x 3" x 1/4" aluminum top frame with thermal break 3 1/2" x 2" x 11 gauge stainless steel bottom frame

INSULATION: Two - 1" thick layers of ceramic blanket insulation attached to bottom frame

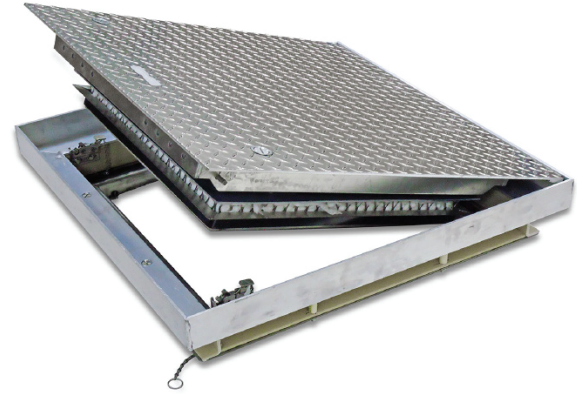
HINGE: Type 316 stainless steel continuous piano hinge

OPENING DEVICE: Door panel opens to 90 degrees. Automatic hold open arm with red vinyl grip keeps door in open position to ensure safe egress. Stainless steel compression springs provide lift assistance. U.L. listed 165 degrees fusible link is provided for automatic closing and latching in the event of smoke or fire.

LATCH: Stainless steel slam latch assembly with interior release

SKU: BA-FRFD FLOOR DOOR

FIRE RATED, FLUSH DIAMOND PLATE

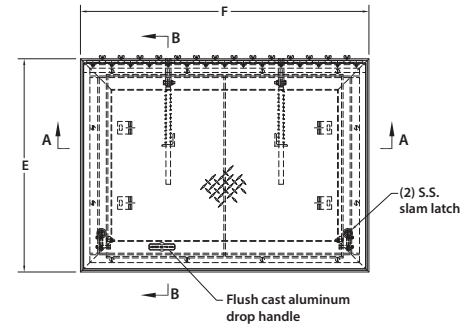


DIMENSIONS AND APPEARANCE

>> CLICK TO VIEW ADDITIONAL DETAILS AND PRICING <<

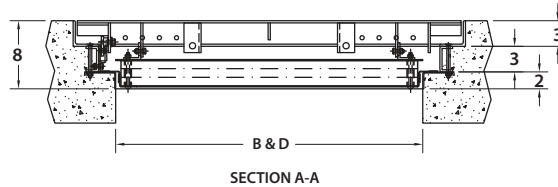
| DOOR SIZE W x H INCHES (MM) | WEIGHT | |
|--------------------------------|--------|-----|
| | LBS | KG |
| 24 x 24 (610 x 610) | 80 | 36 |
| 24 x 36 (610 x 914) | 140 | 63 |
| 24 x 48 (610 x 1219) | 160 | 73 |
| 30 x 30 (762 x 762) | 130 | 59 |
| 30 x 36 (762 x 914) | 160 | 73 |
| 36 x 36 (914 x 914) | 190 | 86 |
| 36 x 48 (914 x 1219) | 240 | 109 |
| 42 x 42 (1067 x 1067) | 250 | 113 |
| 48 x 48 (1219 x 1219) | 280 | 127 |

For detailed specifications see submittal sheet



PLAN VIEW OF HATCH
(Insulation pan not shown for clarity)

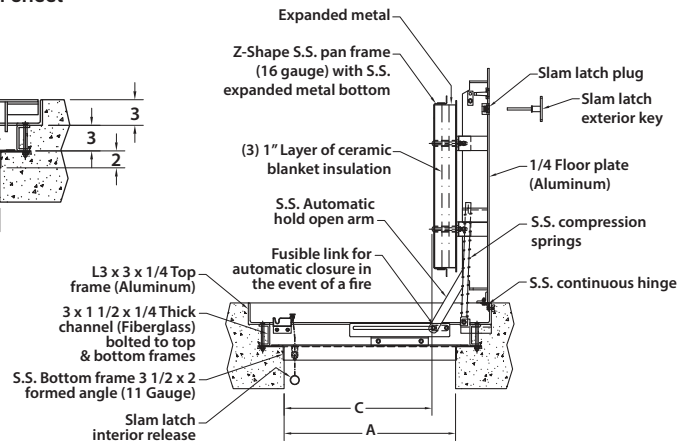
MANUFACTURED BY ACUDOR



SECTION A-A

NOTES:

- MATERIAL: ALUMINUM & ST. STEEL
- LOADING: 150 LBS. PER SQ. FT.
- 316 STAINLESS STEEL NUTS & BOLTS
- CERTIFIED 2-HOUR FIRE RATING



SECTION B-B
(WITH DOOR OPEN)

For a complete list of options visit
www.AccessDoorsAndPanels.com

PROJECT DATA

Custom Sizes Available - Fast!

Scan or Click



To view Pricing and Additional Product Info.

| PROJECT NAME : | QTY | W | H | OPTIONS |
|------------------------|--|---|---|---------|
| ARCHITECT : | | | | |
| DEALER : | | | | |
| CONTRACTOR : | | | | |
| LOCATION : | SPECIAL INSTRUCTIONS : | | | |
| DATE : | SUBMITTAL APPROVAL : (signature or stamp) | | | |
| TAGGING INSTRUCTIONS : | | | | |

TELEPHONE:
1-888-457-1275
FAX:
1-888-626-2907



PO BOX 66738 #76520,
SAINT LOUIS, MO
63166-6738
USA

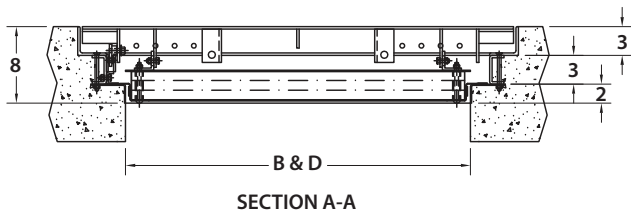
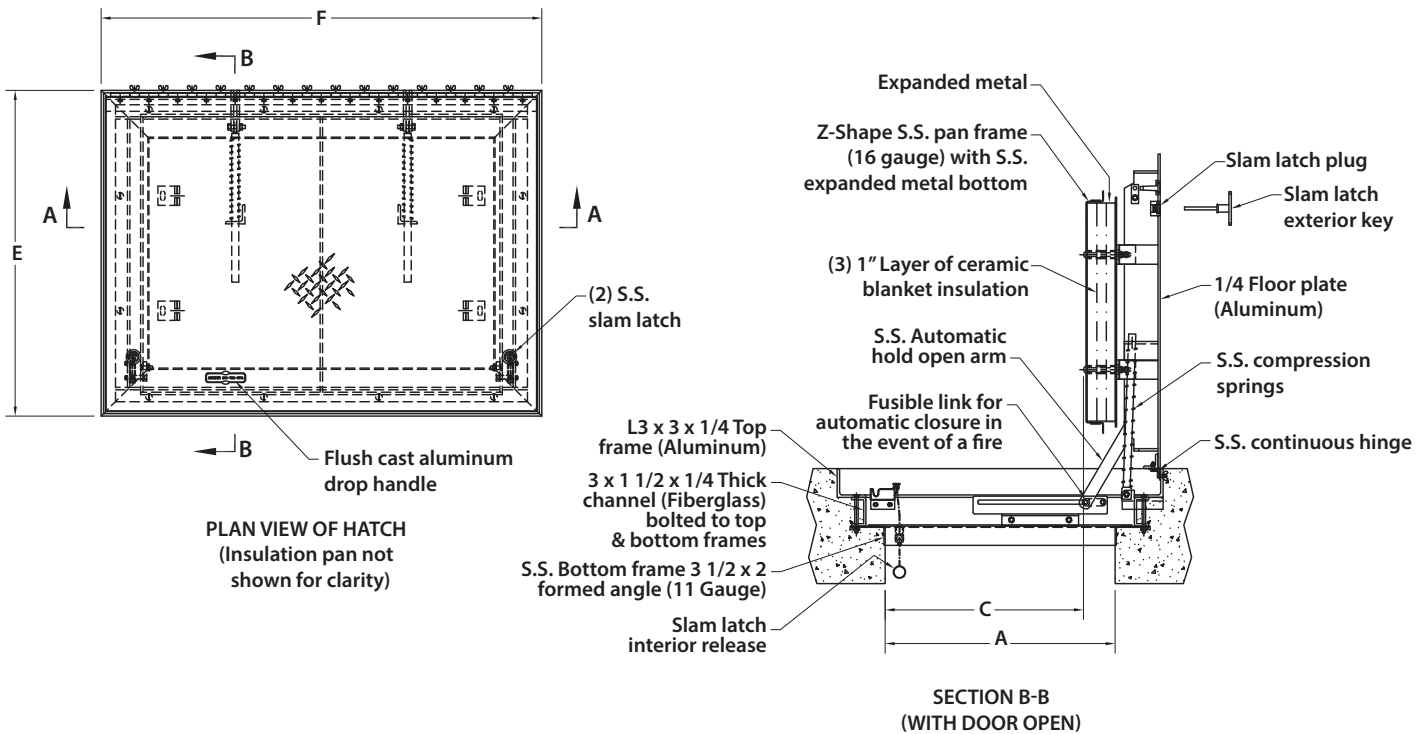


WEBSITE:
www.AccessDoorsAndPanels.com
E-MAIL:
info@AccessDoorsAndPanels.com

BA-FRFD

FIRE RATED FLOOR DOOR

| NOMINAL DOOR SIZE | FRAME OPENING | | CLEAR OPENING | | OVERALL SIZE | | WEIGHT |
|-----------------------|---------------|------------|---------------|------------|--------------|------------|------------|
| | in. (mm) | A in. (mm) | B in. (mm) | C in. (mm) | D in. (mm) | E in. (mm) | F in. (mm) |
| 24 x 24 (610 x 610) | 24 (610) | 24 (610) | 20 (508) | 24 (610) | 34 (864) | 34 (864) | 80 (36) |
| 24 x 36 (610 x 914) | 24 (610) | 36 (914) | 20 (508) | 36 (914) | 34 (864) | 46 (1168) | 140 (63) |
| 24 x 48 (610 x 1219) | 24 (610) | 48 (1219) | 20 (508) | 48 (1219) | 34 (864) | 58 (1321) | 160 (73) |
| 30 x 30 (762 x 762) | 30 (762) | 30 (762) | 26 (660) | 30 (762) | 40 (1016) | 40 (1016) | 130 (59) |
| 30 x 36 (762 x 762) | 30 (762) | 36 (914) | 26 (660) | 36 (914) | 40 (1016) | 46 (1168) | 160 (73) |
| 36 x 36 (914 x 914) | 36 (914) | 36 (914) | 32 (813) | 36 (914) | 46 (1168) | 46 (1168) | 190 (86) |
| 36 x 48 (914 x 1219) | 36 (914) | 48 (1219) | 32 (813) | 48 (1219) | 46 (1168) | 58 (1473) | 240 (109) |
| 42 x 42 (1067 x 1067) | 42 (1067) | 42 (1067) | 38 (965) | 42 (1067) | 52 (1321) | 52 (1321) | 250 (113) |
| 48 x 48 (1219 x 1219) | 48 (1219) | 48 (1219) | 44 (1118) | 48 (1219) | 58 (1473) | 58 (1473) | 280 (127) |



- NOTES:
- MATERIAL: ALUMINUM & ST. STEEL
 - LOADING: 150 LBS. PER SQ. FT.
 - 316 STAINLESS STEEL NUTS & BOLTS
 - CERTIFIED 2-HOUR FIRE RATING