



Quality Access Doors- FAST!

SUBMITTAL/TECHNICAL DATA SHEET

www.AccessDoorsAndPanels.com

APPLICATION

BA-ALRF-LA Electric Actuation Roof Hatches are designed to provide convenient, economical access to the roof of a building with the ease of automation. By adding an electric actuator, our hatch can be opened and closed remotely. This feature is available on small ladder access hatches, and more importantly on larger equipment hatches, which are typically heavy and difficult to operate.

FEATURES

- Choice of operating switch and/or remote control
- 12V/24V DC Electrical Actuator. Suitable for mains supply AC 120V/60Hz or 230V/50Hz
- Can open to any angle up to 80 degrees max
- Battery back-up
- Synchronized operation for large sizes

SPECIFICATIONS

COVER: Double-skin construction ("in box type design") with 1" cellulose insulation and a continuous EPDM foam weather/draft seal gasket that is attached to the inside of cover to provide a flush, tight fit. Designed to support a live load of 40lbs./sq. ft

CURB: 1" thick fiberboard roof insulation at curb exterior. Curb is 12" high, with 3.375" wide bottom flange and pre-drilled mounting holes

OPENING: Convenient electric actuation with options of Push Button Switch, Key Switch and/or Remote Control. Can be kept open at any angle for ventilation. Single covers with more than one actuator operate on synchronous mode. Hatches with more than one cover have at least two actuators which need to be operated in sequence. Battery back-up is provided for emergency exits to ensure power supply in case of power outage. Control Box keeps the batteries charged.

DOOR LATCH: Self Locking feature of Electric Actuator replaces need for conventional locks in standard designs Additional locking arrangements available upon request.

FINISH: Aluminum: Mill Finish grey paint.

SKU: **BA-ALRF-LA**

LADDER ACCESS ROOF HATCH - ALUMINUM

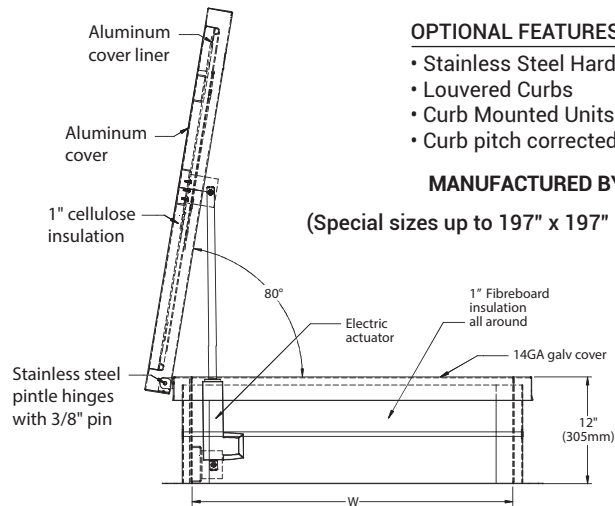


DIMENSIONS AND APPEARANCE

>> [CLICK TO VIEW ADDITIONAL DETAILS AND PRICING](#) <<

STANDARD SIZES:

MODEL	CURB ID L&W INCHES (MM)	WEIGHT	
		LBS	KG
EA3232	24 x 24 (610 x 610)	60	27.3
EA3244	24 x 36 (610 x 914)	70	31.8
EA3838	30 x 30 (762 x 762)	75	34.0
EA3844	30 x 36 (762 x 914)	85	38.6
EA3862	30 x 54 (762 x 1372)	135	61.4
EA3804	30 x 96 (762 x 2438)	245	111.4
EA4444	36 x 36 (914 x 914)	95	43.2
EA5656	48 x 48 (1219 x 1219)	115	52.0



OPTIONAL FEATURES

- Stainless Steel Hardware
- Louvered Curbs
- Curb Mounted Units
- Curb pitch corrected for sloped roof

MANUFACTURED BY ACUDOR

(Special sizes up to 197" x 197" available upon request)

For a complete list of options visit www.AccessDoorsAndPanels.com

PROJECT DATA

Custom Sizes Available - Fast!

Scan or Click



To view Pricing and Additional Product Info.

PROJECT NAME :	QTY	W	H	OPTIONS
ARCHITECT :				
DEALER :				
CONTRACTOR :				
LOCATION :	SPECIAL INSTRUCTIONS :			
DATE :	SUBMITTAL APPROVAL : (signature or stamp)			
TAGGING INSTRUCTIONS :				

TELEPHONE:
1-888-457-1275

FAX:
1-888-626-2907



PO BOX 66738 #76520,
SAINT LOUIS, MO
63166-6738
USA



WEBSITE:
www.AccessDoorsAndPanels.com

E-MAIL:
info@AccessDoorsAndPanels.com