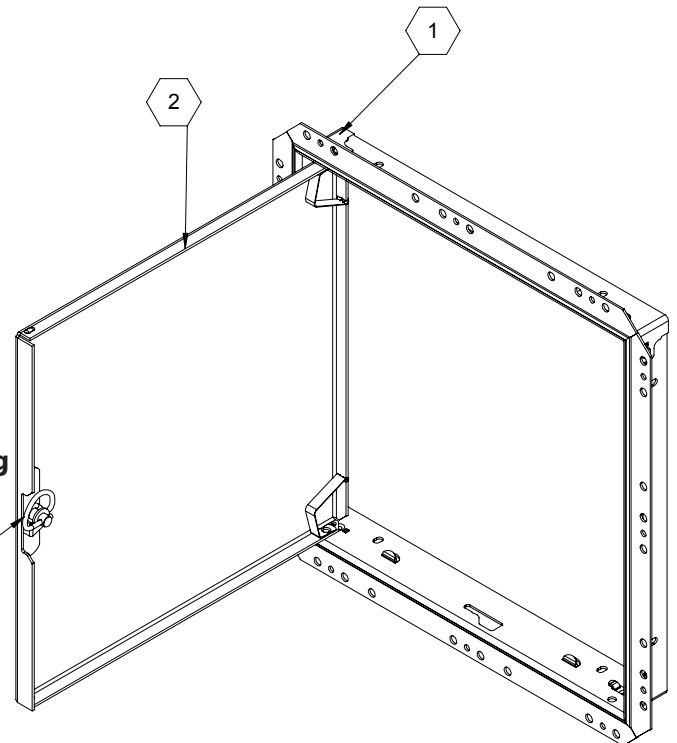


[Click here to Online Product Page and Pricing](#)




NOTES:

- ① **FRAME:** CRS 16 Ga, Drywall Bead
- ② **DOOR:** CRS 14 Ga
- ③ **FINISH:** Gray Pwd
- ④ **HINGE:** Varies, See Page 2
- ⑤ **LATCH:** Varies, See Page 2
- ⑥ **LOCK:** Varies, See Page 2

ROUGH OPENING: W + 1/4" x H + 1/4"
CLEAR OPENING: W - 1-1/8" x H - 1/8"

Email: info@accessdoorsandpanels.com
 Phone: 1-800-609-2917 Website: www.accessdoorsandpanels.com
 Fax: 1-888-828-6021 Address: PO Box 66738 #76520, Saint Louis

www.AccessDoorsAndPanels.com

PROJECT:			
ARCHITECT:			
CONTRACTOR:			
QTY:			
PART#:		NW Cut Sheet	
 Babcock-Davis <small>Always right there.</small> 9300 73rd Avenue North Brooklyn Park, MN 55428		TITLE:	
		Access Door, Non-rated	
NAME	DATE	SIZE	DWG. NO.
DRAWN		A	Babcock AD NW Cut Sheet
RELEASED		WEIGHT: Varies	REV -

PROPRIETARY AND CONFIDENTIAL: THE INFORMATION CONTAINED IN THIS DRAWING IS THE SOLE PROPERTY OF BABCOCK-DAVIS. ANY REPRODUCTION IN PART OR AS A WHOLE WITHOUT THE WRITTEN PERMISSION OF BABCOCK-DAVIS IS PROHIBITED.

LATCH OPTIONS

- SCREWDRIVER CAM (C) (STANDARD CAM)
- HEX CAM (H)
- PINNED HEX CAM (P)
- KNURLED KNOB CAM (N)

HINGE OPTIONS

- CONCEALED SPRING BUTTON HINGE (STANDARD UP TO 24" X 24")
- FLUSH CONTINUOUS PIANO HINGE (H)
- CONCEALED CONTINUOUS PIANO HINGE (Z) (STANDARD FOR HEIGHT OR WIDTH OVER 24")
- NO HINGE (N)

LOCK OPTIONS

- NO LOCK
- KEY OPERATED CAM LOCK (L)
- KNURLED KNOB KEYED LOCK (K)
- MORTISE PREP (M)


MISC OPTIONS

- DRIP CAP (C)
- GASKETING (G)
- LOUVERED DOOR (L)
- MASONRY ANCHORS (M)
- GALVANNEALED STEEL (B)

STANDARD SIZES (WIDTH X HEIGHT) CUSTOMS AVAILABLE

6" x 6"	16" x 16"	24" x 24"
8" x 8"	16" x 20"	24" x 30"
10" x 10"	18" x 18"	24" x 36"
12" x 12"	18" x 24"	30" x 30"
12" x 18"	20" x 30"	30" x 36"
12" x 24"	22" x 22"	32" x 32"
14" x 14"	22" x 30"	36" x 36"

PROPRIETARY AND CONFIDENTIAL: THE INFORMATION CONTAINED IN THIS DRAWING IS THE SOLE PROPERTY OF BABCOCK-DAVIS. ANY REPRODUCTION IN PART OR AS A WHOLE WITHOUT THE WRITTEN PERMISSION OF BABCOCK-DAVIS IS PROHIBITED.

PROJECT:			
ARCHITECT:			
CONTRACTOR:			
QTY:			
PART#:		NW Cut Sheet	
 Babcock-Davis <small>Always right there.</small> 9300 73rd Avenue North Brooklyn Park, MN 55428		TITLE:	
		Access Door, Non-rated	
NAME	DATE	SIZE	DWG. NO.
DRAWN		A	Babcock AD NW Cut Sheet
RELEASED		WEIGHT: Varies	REV -
			SHEET 2 OF 2