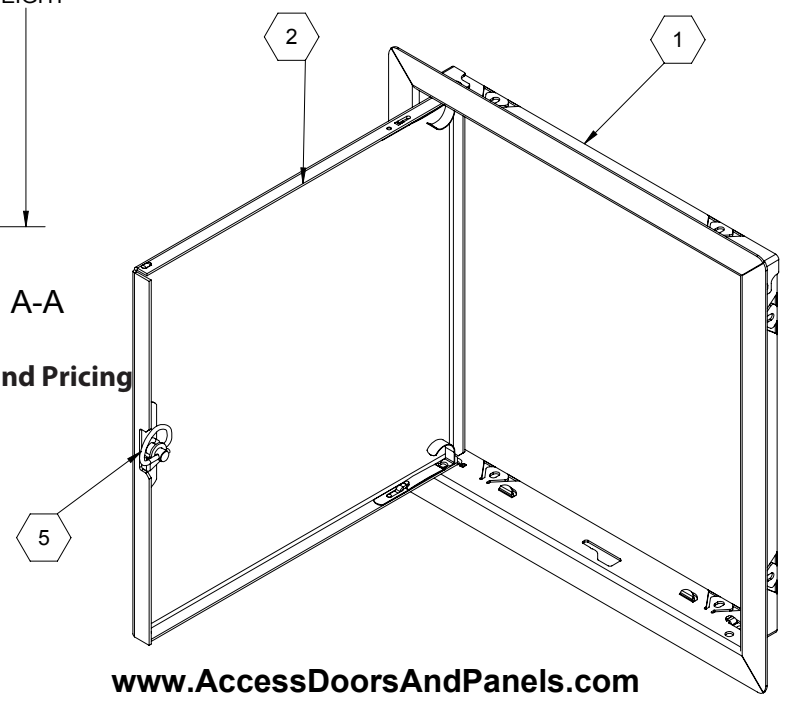


[Click here to Online Product Page and Pricing](#)



[www.AccessDoorsAndPanels.com](http://www.AccessDoorsAndPanels.com)


NOTES:

- ① **FRAME:** CRS 16 Ga, 1" Flange
- ② **DOOR:** CRS 14 Ga
- ③ **FINISH:** Gray Powder Coat
- ④ **HINGE:** Varies, See Page 2
- ⑤ **LATCH:** Varies, See Page 2
- ⑥ **LOCK:** Varies, See Page 2

**ROUGH OPENING:** W + 1/4" x H + 1/4"  
**CLEAR OPENING:** W - 1-1/8" x H - 1/8"

**Phone:** 1-800-609-2917  
**Fax:** 1-888-828-6021

**Email:** [info@accessdoorsandpanels.com](mailto:info@accessdoorsandpanels.com)  
**Website:** [www.accessdoorsandpanels.com](http://www.accessdoorsandpanels.com)  
**Address:** PO Box 66738 #76520, Saint Louis

PROJECT:			
ARCHITECT:			
CONTRACTOR:			
QTY:			
PART#:		BNT Cut Sheet	
 <b>Babcock-Davis</b> <small>Always right there.</small> 9300 73rd Avenue North Brooklyn Park, MN 55428		TITLE:	
		Access Door, Non-rated	
NAME	DATE	SIZE	DWG. NO.
DRAWN		A	Babcock AD NT Cut Sheet
RELEASED		WEIGHT: Varies	SHEET 1 OF 2

PROPRIETARY AND CONFIDENTIAL: THE INFORMATION CONTAINED IN THIS DRAWING IS THE SOLE PROPERTY OF BABCOCK-DAVIS. ANY REPRODUCTION IN PART OR AS A WHOLE WITHOUT THE WRITTEN PERMISSION OF BABCOCK-DAVIS IS PROHIBITED.

LATCH OPTIONS

- SCREWDRIVER CAM (C) (STANDARD CAM)
- HEX CAM (H)
- PINNED HEX CAM (P)
- KNURLED KNOB CAM (N)

HINGE OPTIONS

- CONCEALED SPRING BUTTON HINGE (STANDARD UP TO 24" X 24")
- FLUSH CONTINUOUS PIANO HINGE (H) (STANDARD FOR HEIGHT OR WIDTH OVER 24")
- CONCEALED CONTINUOUS PIANO HINGE (Z)
- NO HINGE (N)

LOCK OPTIONS

- NO LOCK
- KEY OPERATED CAM LOCK (L)
- KNURLED KNOB KEYED LOCK (K)
- MORTISE PREP (M)


MISC OPTIONS

- DRIP CAP (C)
- GASKETING (G)
- LOUVERED DOOR (L)
- MASONRY ANCHORS (M)
- GALVANNEALED STEEL (B)

**STANDARD SIZES (WIDTH X HEIGHT) CUSTOMS AVAILABLE**

6" x 6"	16" x 20"	24" x 36"
8" x 8"	18" x 18"	24" x 48"
10" x 10"	18" x 24"	30" x 30"
12" x 12"	20" x 30"	30" x 36"
12" x 18"	22" x 22"	32" x 32"
12" x 24"	22" x 30"	36" x 36"
14" x 14"	24" x 24"	36" x 48"
16" x 16"	24" x 30"	

PROPRIETARY AND CONFIDENTIAL: THE INFORMATION CONTAINED IN THIS DRAWING IS THE SOLE PROPERTY OF BABCOCK-DAVIS. ANY REPRODUCTION IN PART OR AS A WHOLE WITHOUT THE WRITTEN PERMISSION OF BABCOCK-DAVIS IS PROHIBITED.

PROJECT:		
ARCHITECT:		
CONTRACTOR:		
QTY:		
PART#:	<b>BNT Cut Sheet</b>	
 <b>Babcock-Davis</b> <small>Always right there.</small> 9300 73rd Avenue North Brooklyn Park, MN 55428		TITLE:
		Access Door, Non-rated
NAME	DATE	SIZE
DRAWN		A
RELEASED		WEIGHT: Varies
DWG. NO.		REV
Babcock AD NT Cut Sheet		-
SHEET 2 OF 2		