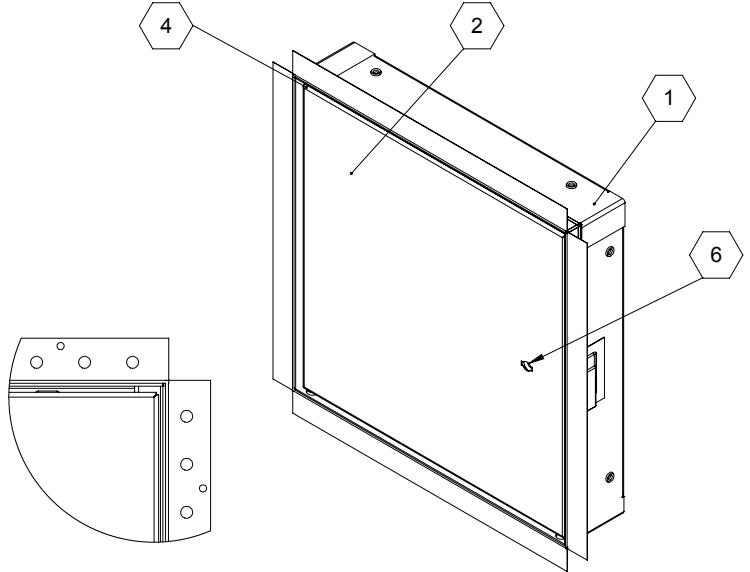
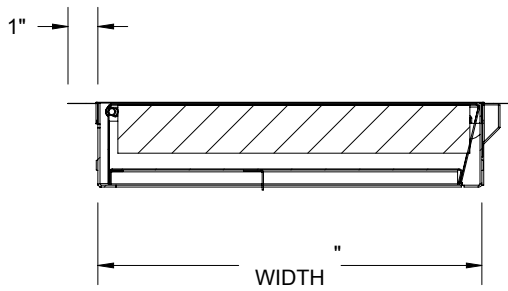


SECTION A-A



DETAIL D
DRYWALL BEAD DETAIL
SCALE 1 : 4



SECTION B-B

ROUGH OPENING: " X " X
 CLEAR OPENING: " X " X
 DEGREE OF OPENING: °


HORIZONTAL
 1 HR WOOD-FRAME CONSTRUCTION
 3 HR NON-COMBUSTABLE CONSTRUCTION
 ON SIZES UP TO AND INCLUDING 24" W X 36" H.

VERTICAL
 1-1/2 HOUR "B" LABEL

NOTES:

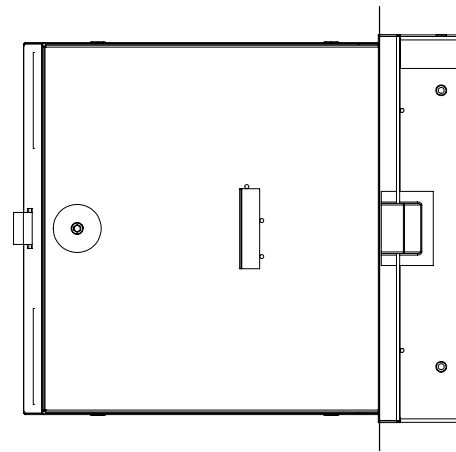
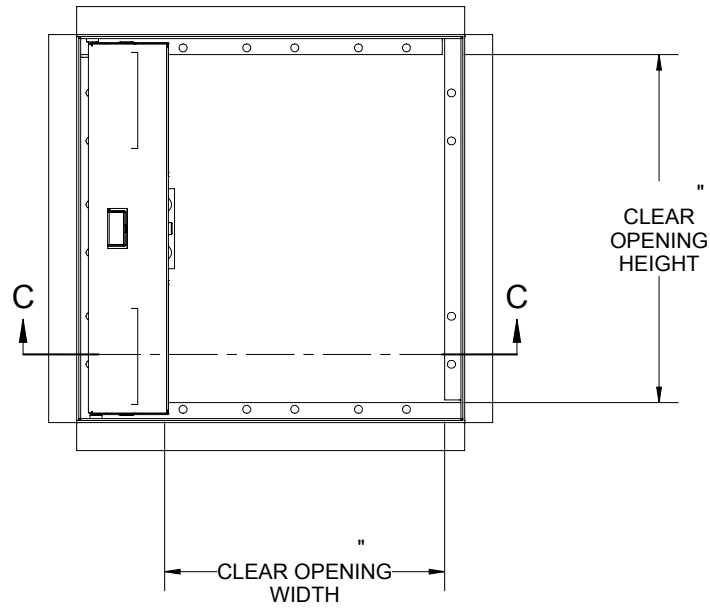
- ① **FRAME:**
- ② **DOOR:**
- ③ **FINISH:**
- ④ **HINGE:**
- ⑤ **SECONDARY LATCH:**
- ⑥ **LOCK:** Knurled Knob/Keyed Slam Latch
- ⑦ **INSULATION:** 2" Thick Fire Rated Mineral Wool, 8 R-Value



PROJECT:			
ARCHITECT:			
CONTRACTOR:			
QTY:			
PART#:			
 PO Box 66738 #76520, Saint Louis, MO		TITLE:	
NAME	DATE	SIZE	DWG. NO.
DRAWN		A	
RELEASED		WEIGHT: VARIES	SHEET 1 OF 2

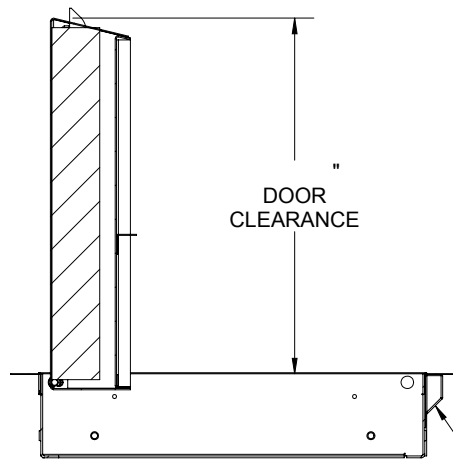
B

B

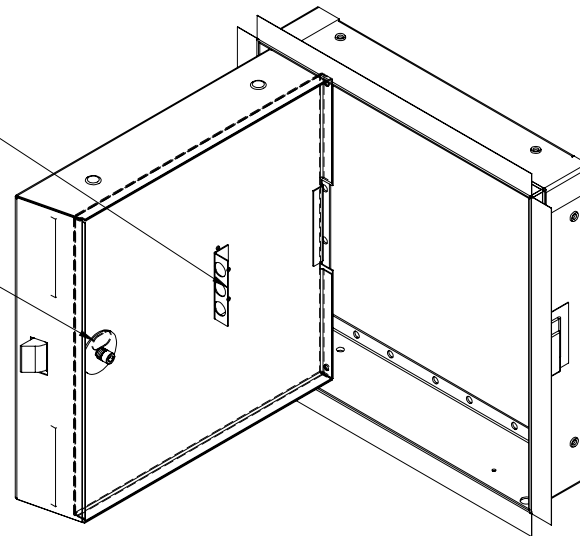



A

A



SPRING MOUNT BRACKET
 INTERIOR RELEASE MECHANISM



PART#:		TITLE:			
 ACCESS DOORS AND PANELS PO Box 66738 #76520, Saint Louis, MO					
NAME	DATE	SIZE	DWG. NO.	REV	
DRAWN		A		-	
RELEASED		WEIGHT: VARIES		SHEET 2 OF 2	