

FRONT ELEVATION  
NOTTO SCALE

[Click here to Online Product Page and Pricing](#)

## SPECIFICATIONS

- 16 GAUGE COLD ROLLED STEEL FRAME
- 20 GAUGE COLD ROLLED STEEL DOOR
- 2" THICK FIRE RATED INSULATION, 8 R VALUE
- 1" WIDE EXPOSED FLANGE
- GRAY BAKED ON POWDER COAT FINISH
- FLUSH CONTINUOUS PIANO HINGE
- SPRING DOOR CLOSURE
- FRAMES PROVIDED WITH .25" MOUNTING HOLES
- FLUSH KEY / METAL KNURLED KNOB OPERATED LOCK
- INTERIOR RELEASE MECHANISM

## OPTIONS

- D GALVANIZED BONDERIZED STEEL
- D STAINLESS STEEL WITH #4 SATIN POLISH FINISH
- D STAINLESS STEEL CONTINUOUS PIANO HINGE WITH STAINLESS STEEL FIN (AVAILABLE ON SST PANELS ONLY)
- D CONCEALED FIN HINGE
- D PREFARATION FOR 1.125" MORTISE CYLINDER (CYLINDER PROVIDED BY OTHERS OR BY FACTORY)

## LISTINGS

VERTICAL APPLICATIONS

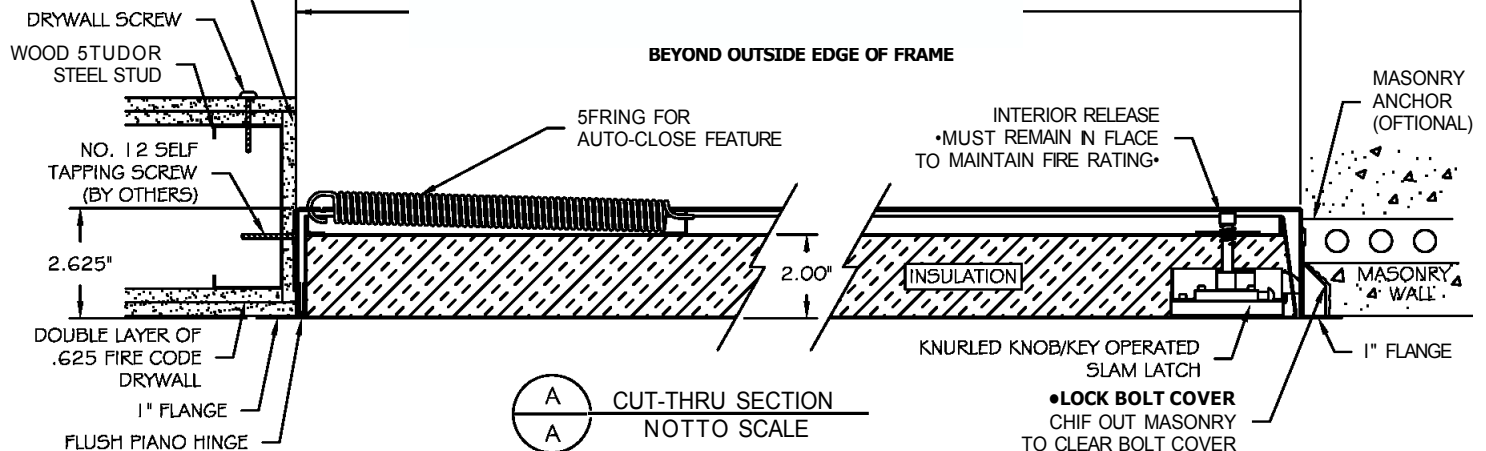
*Life;Jus* - 1 1/2 HR. "B" LABEL

HORIZONTAL APPLICATIONS



- 1 HR. WOOD-FRAMED CONSTRUCTION
- 3 HR. NON-COMBUSTIBLE CONSTRUCTION

WRAPPING OF STUD IS NOT  
REQUIRED IN 1 HOUR  
HORIZONTAL APPLICATIONS



[www.AccessDoorsAndPanels.com](http://www.AccessDoorsAndPanels.com)

Phone: 1-800-609-2917  
Fax: 1-888-828-6021

Email: [info@accessdoorsandpanels.com](mailto:info@accessdoorsandpanels.com)  
Website: [www.accessdoorsandpanels.com](http://www.accessdoorsandpanels.com)  
Address: PO Box 66738 #76520, Saint Louis

Standard Features:

- Door: 20 gauge (.912mm thick) cold rolled steel
- Frame: 16 gauge (1.52mm thick) cold rolled steel with 1" Flange
- Hinge: Flush continuous piano hinge
- Latch: Knurled knob/Key operated latch bolt  
Optional: Mortise cylinder preparation (cylinder provided by factory or by others)
- Finish: Gray baked on powder coat  
Optional: galvanized bonderized or stainless steel with #4 satin polish finish
- Insulation: 2" thickness fire rated mineral fiber, 8 R value
- Other: Self-closing with interior release mechanism

Specifications:

Frame shall be 16 gauge cold rolled steel with 1" flange. Door shall be fabricated from 20 gauge cold rolled steel, insulated sandwich type construction. Door shall be self-latching with automatic closer and interior release mechanism. Hinge shall be a flush continuous piano hinge. Latch(es) shall be knurled knob/Key operated latch bolt (optional: preparation to receive 1 1/8" mortise cylinder - cylinder provided by factory or others). This assembly shall carry a 1 1/2 hour UL "B" label for walls (250 degrees maximum temperature rise, 30 minutes) and carry a 3 hour Warnock Hersey label for ceilings rated 3 hours or less. Finish shall be gray baked on powder coat (optional: galvanized bonderized steel or stainless steel with #4 satin polish finish).

Installation shall be in accordance with manufacturers instructions. Manufacturer shall guarantee against defects in material and workmanship for a period of one year.

Standard Sizes:

Std Sizes (in)	Std Sizes (mm)	Weight/Latches	Std Sizes (in)	Std Sizes (mm)	Weight/Latches
08x08	203x203	11/1	22x30	559x762	32/1
10x10	254x254	14/1	22x36	559x914	39/2
12x12	305x305	17/1	24x24	610x610	29/1
12x18	305x457	25/1	24x30	610x762	36/1
12x24	305x610	28/1	24x36	610x914	40/2
14x14	356x356	16/1	24x48*	610x1219	53/2
16x16	406x406	18/1	30x30*	762x762	49/1
18x18	457x457	20/1	32x32*	813x813	51/1
18x24	457x610	39/1	36x36*	914x914	58/2
20x30	508x762	30/1	36x48*	914x1219	79/2
22x22	559x559	27/1	48x48*	1219x1219	100/2

All units are hinged on the second dimension (height). Rough opening is size plus 1/4".  
Minimum height with detention lock is 12" high.

\*Exceeds maximum size to carry a Warnock Hersey label for ceilings.

# www.AccessDoorsAndPanels.com

**Phone:** 1-800-609-2917  
**Fax:** 1-888-828-6021

**Email:** info@accessdoorsandpanels.com  
**Website:** www.accessdoorsandpanels.com  
**Address:** PO Box 66738 #76520, Saint Louis