



SUBMITTAL/TECHNICAL DATA SHEET

www.AccessDoorsAndPanels.com

APPLICATION

Designed for interior and exterior applications where flood, gas, or odor resistance is required.

FEATURES

- Angle frame construction with anchors welded around the frame for casting into concrete.
- Diamond plate door panel is reinforced for a live load of 1560 pounds/sq ft. Capable of holding up to 25 ft. head of water (Downward pressure only).
- Door panel overlaps frame, compressing the gasket providing a continuous seal. AW-APS is designed for downward water pressure only.
- EPDM gasket and cam locks designed so door will not leak from standing water, and to reduce the amount of gases and odor that can escape from below

SPECIFICATIONS

MATERIAL: Aluminum door & frame ; Type 316 Stainless steel hinges & hardware

DOOR: 1/4" aluminum diamond plate reinforced for live load of 1560 pounds/per sq. ft. Capable of holding up to 25 ft. head of water (Downward pressure only)

FRAME: 3/8" aluminum with 3/16" x 1 1/2" strap anchors welded around the frame for casting into concrete

HINGE: Type 316 stainless steel butt hinges with tamper proof stainless steel bolts and nuts

GASKET: 9/16" O.D. x 1/8" I.D. EPDM gasket

OPENING DEVICE: Automatic hold open arm with red vinyl grip allows door to open to 90 degrees, locking door in open position and allowing for easy control when closing door panel. Optional Lift Assist available.

STANDARD LATCH: Type 316 stainless steel watertight cam locks and flush watertight handle

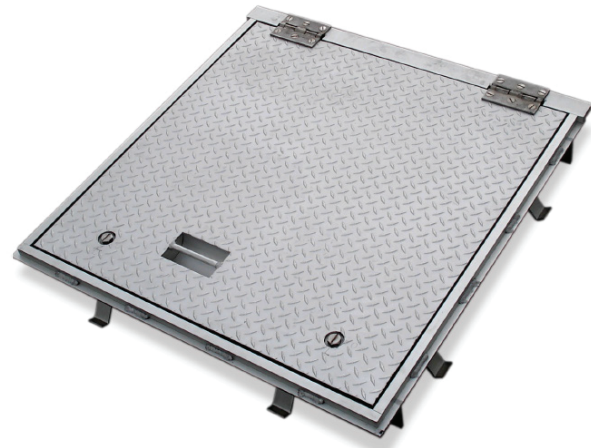
FINISH: Mill finish is standard, Bituminous coating optional on exterior of frame

For a complete list of options visit www.AccessDoorsAndPanels.com

SKU: **AW-APS**

FLOOR DOOR

FLOOD/GAS/ODOR RESISTANT



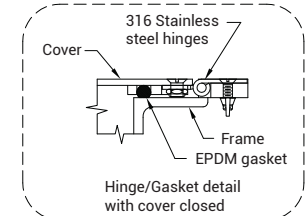
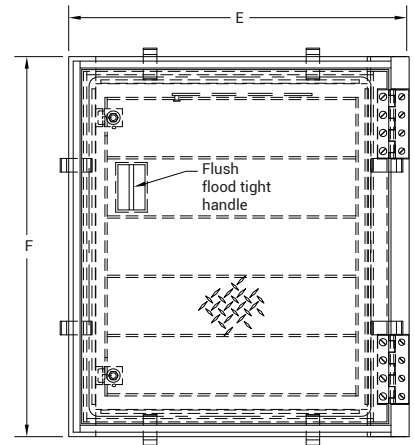
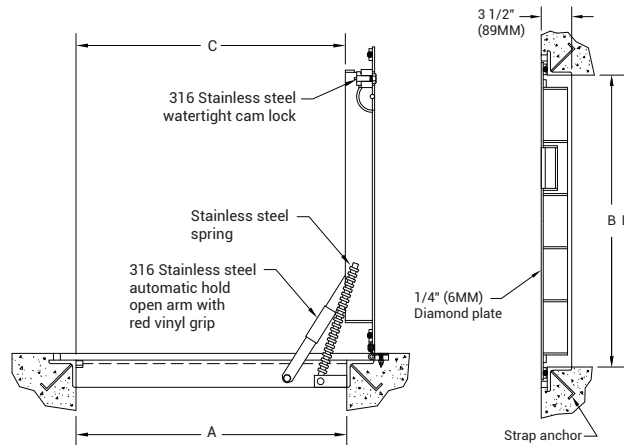
DIMENSIONS AND APPEARANCE

>> CLICK TO VIEW ADDITIONAL DETAILS AND PRICING <<

STANDARD SIZES:

DOOR SIZE W x H INCHES (MM)	WEIGHT	
	LBS	KG
24 x 24 (610 x 610)	84	38
24 x 30 (610 x 762)	101	46
24 x 36 (610 x 914)	117	53
30 x 30 (762 x 762)	125	57
30 x 36 (762 x 914)	136	62
30 x 48 (762 x 1219)	176	80
36 x 36 (914 x 914)	156	71
36 x 48 (914 x 1219)	201	91

For detailed specifications see submittal sheet



NOTES:

- MATERIAL: ALUMINUM WITH 316 STAINLESS STEEL NUTS & BOLTS, CAM LOCKS, HINGES AND HOLD OPEN ARM.
- LOADING: 1560 LBS. PER SQ. FOOT (7611 KG. PER SQ. M) (CAPABLE OF HOLDING UP TO 25 FT. HEAD OF WATER)
- SS HORIZONTAL SPRINGS

Proprietary property of Acudor Products, Inc., sold and distributed with proper authorization

PROJECT DATA

Custom Sizes Available - Fast!

Scan or Click



To view Pricing and Additional Product Info.

PROJECT NAME :	QTY	W	H	OPTIONS
ARCHITECT :				
DEALER :				
CONTRACTOR :				
LOCATION :	SPECIAL INSTRUCTIONS :			
DATE :				
TAGGING INSTRUCTIONS :	SUBMITTAL APPROVAL : (signature or stamp)			

TELEPHONE:
1-888-457-1275
FAX:
1-888-626-2907



PO BOX 66738 #76520,
SAINT LOUIS, MO
63166-6738
USA



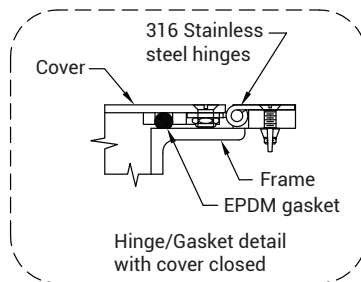
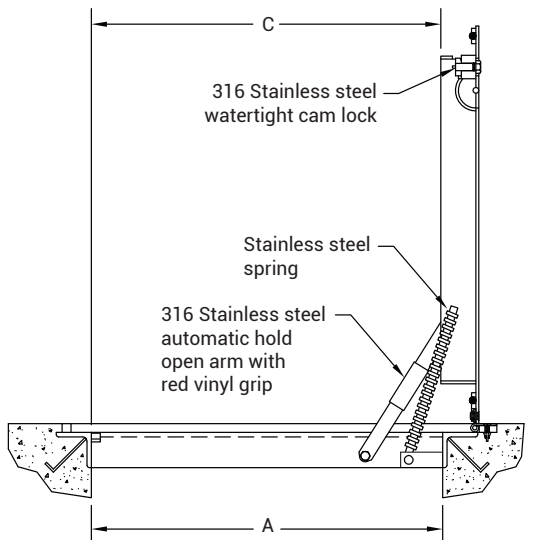
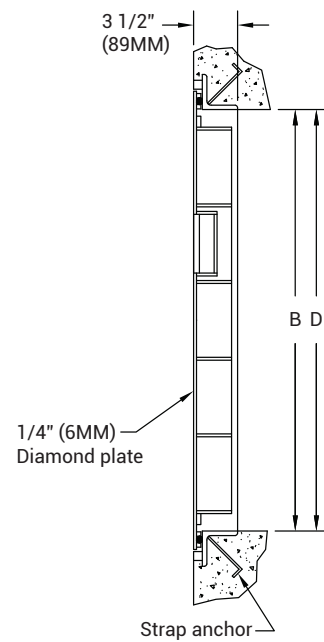
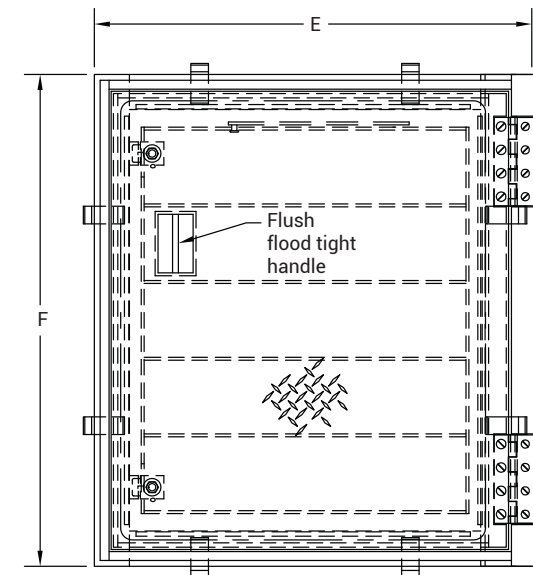
WEBSITE:
www.AccessDoorsAndPanels.com
E-MAIL:
info@AccessDoorsAndPanels.com



AW-APS

ANGLE FRAME FLOOR DOOR FLOOD / GAS / ODOR RESISTANT

NOMINAL DOOR SIZE	FRAME OPENING		CLEAR OPENING		OVERALL SIZE		WEIGHT
in. (mm)	A in. (mm)	B in. (mm)	C in. (mm)	D in. (mm)	E in. (mm)	F in. (mm)	LBS. (KG)
24 x 24 (610 x 610)	24 (610)	24 (610)	22 (584)	24 (610)	31-5/8 (803)	30 (762)	84 (38)
24 x 30 (610 x 762)	24 (610)	30 (762)	22 (584)	30 (762)	31-5/8 (803)	36 (914)	101 (46)
24 x 36 (610 x 914)	24 (610)	36 (914)	22 (584)	36 (914)	31-5/8 (803)	42 (1067)	117 (53)
30 x 30 (762 x 762)	30 (762)	30 (762)	28 (737)	30 (762)	37-5/8 (940)	36 (914)	125 (57)
30 x 36 (762 x 914)	30 (762)	36 (914)	28 (737)	36 (914)	37-5/8 (940)	42 (1067)	136 (62)
30 x 48 (762 x 1219)	30 (762)	48 (1219)	28 (737)	48 (1219)	37-5/8 (940)	54 (1372)	176 (80)
36 x 36 (914 x 914)	36 (914)	36 (914)	34 (914)	36 (914)	43-5/8 (1108)	42 (1067)	156 (71)
36 x 48 (914 x 1219)	36 (914)	48 (1219)	34 (914)	48 (1219)	43-5/8 (1108)	54 (1372)	201 (91)


NOTES:

- MATERIAL: ALUMINUM WITH 316 STAINLESS STEEL NUTS & BOLTS, CAM LOCKS, HINGES AND HOLD OPEN ARM.
- LOADING: 1560 LBS. PER SQ. FOOT (7611 KG. PER SQ. M) (CAPABLE OF HOLDING UP TO 25 FT. HEAD OF WATER)
- SS HORIZONTAL SPRINGS