

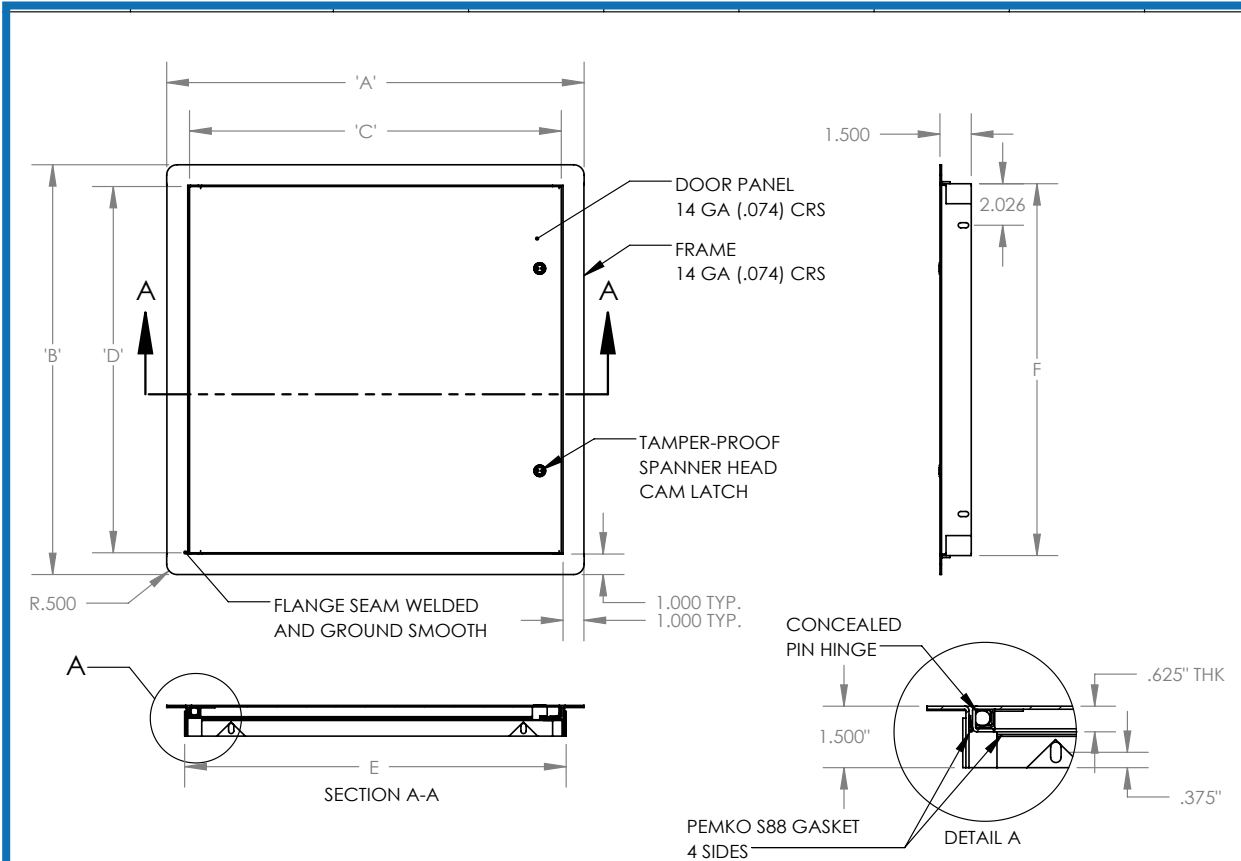
QTY:	NOMINAL SIZE	A	B	C	D	E	F	LOCK QTY
	12 X 12 (305 X 305)	14.000 (355)	14.000 (355)	11.812 (300)	11.876 (301)	12.279 (312)	12.148 (309)	1
	16 X 16 (406 X 406)	18.000 (457)	18.000 (457)	15.812 (401)	15.876 (403)	16.279 (413)	16.148 (410)	2
	18 X 18 (457 X 457)	20.000 (508)	20.000 (508)	17.812 (452)	17.876 (454)	18.279 (464)	18.148 (461)	2
	24 X 24 (609 X 608)	26.000 (660)	26.000 (660)	23.812 (604)	23.876 (606)	24.279 (617)	24.148 (613)	2
	24 X 36 (609 X 914)	26.000 (660)	38.000 (965)	23.812 (604)	37.876 (911)	24.279 (617)	36.148 (918)	2

**WE ALSO DO
CUSTOM!**

**ANTI-LIGATURE ACCESS DOOR
- ACUDOR**

SKU: **AL-9500**

SCAN TO VIEW PRICING



STANDARD FEATURES: FULLY GASKETED
SPANNER HEAD CAM LATCH
PRIME COAT WHITE ALKYD BAKED-ON ENAMEL

OPTIONS:

LOCK TYPE:

TORX HEAD CAM LATCH

MATERIAL:

STAINLESS STEEL
 OTHER

FINISH:

OTHER



**REQUEST A
QUOTE**

CLICK TO VIEW PRICING

TOLL FREE PHONE:
1-800-609-2917

EMAIL:
info@accessdoorsandpanels.com

FAX:
1-888-626-2907

www.AccessDoorsAndPanels.com