

SUBMITTAL: EXTERIOR ACCESS PANEL XP™ SERIES, MULTIPURPOSE

___ Model XPA

Frame: 16 ga. Galvanneal steel frame with 1" exposed flange
 Door: 2" Thick insulated .040 Aluminum door with continuous stainless hinge. R value 5.7
 Gaskets: Adhesive backed EPDM foam and silicone rubber seals on frame and door.
 Finish: White powder coat paint.
 Handle: (H2) Non-Locking, Zinc die cast with chrome plating

___ Model XPS (Stainless Steel)

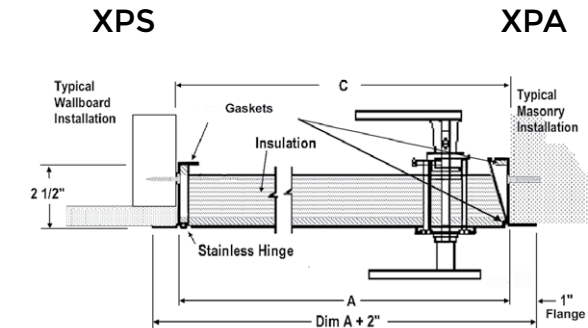
Frame: 16 ga. Stainless steel frame
 Door: 2" Thick Insulated 20 ga. Stainless steel door with continuous stainless hinge.
 Gaskets: Adhesive backed EPDM foam and silicone rubber seals on frame and door.
 Finish: 304 Stainless - No. 4 Finish
 Handles: (H2) Non-Locking, Zinc die cast with chrome plating

Sizes: Minimum 8" x 8", maximum size 48" x 48"

ADDITIONAL COST:

- (H3) Locking zinc die cast exterior handle with chrome plating
- (H4) Removable flush locking handle
- Rainhood
- Optional Color Code - See colors below

B-Bronze	R-Red	BK- Flat Black	S-Sand	AMS- AMS Beige	SB- Flat Beige	G- Gray	SI- Silver
----------	-------	----------------	--------	----------------	----------------	---------	------------



QTY	Size (A)	Wall Opening	Handles	Approx Ship Weight in lbs.	QTY	Size (A)	Wall Opening (C)	Handles	Approx Ship Weight in lbs.
	12" x 12"	12-3/8" x 12-3/8"	1	11		24" x 30"	24-3/8" x 30-3/8"	2	40
	14" x 14"	14-3/8" x 14-3/8"	1	15		24" x 36"	24-3/8" x 36-3/8"	2	42
	18" x 18"	18-3/8" x 18-3/8"	1	19		24" x 48"	24-3/8" x 48-3/8"	2	57
	20" x 24"	20-3/8" x 24-3/8"	1	30		30" x 30"	30-3/8" x 30-3/8"	2	44
	20" x 30"	20-3/8" x 30-3/8"	2	32		30" x 36"	30-3/8" x 36-3/8"	2	56
	22" x 30"	22-3/8" x 30-3/8"	2	34		36" x 36"	36-3/8" x 36-3/8"	2	61
	22" x 36"	22-3/8" x 36-3/8"	2	40		36" x 48"	36-3/8" x 48-3/8"	2	75
	24" x 24"	24-3/8" x 24-3/8"	1	27		48" x 48"	48-3/8" x 48-3/8"	2	108

DOWNLOAD CURRENT SUBMITTAL BEFORE ORDERING



Email: info@accessdoorsandpanels.com
 Website: www.accessdoorsandpanels.com
 Phone: 1-800-609-2917
 Fax: 1-888-626-2907

Distributor:	Quantity:
Contractor:	Approved By:
Model #:	Architect:
Project:	Date:

SUBMITTAL: EXTERIOR ACCESS PANEL XP™ SERIES, MULTIPURPOSE



Rainhood



(H4) Removable
Flush Locking Handle



H2 Non-Locking Handle



H3 Locking Handle



Inside Latch for (H4) Removable
Flush Locking Handle