

Strike First Corporation of America

VC-VALVE Series Cabinets

Detail & Submittal Sheet

Construction Specifications:

Valve (VC) cabinet fronts are 16 gauge cold rolled steel with 22 gauge cold rolled steel tubs and are available with a full metal or full glass door panel.

Project: _____

Specification Reference: _____

Model Number: _____ Quantity: _____

Architect: _____

Contractor: _____

Distributor: _____

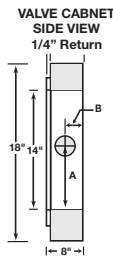
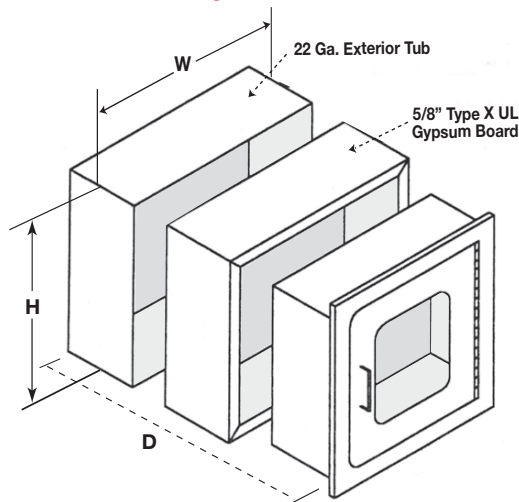
Approved By: _____

Date: _____

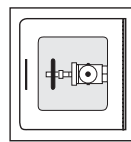
SPECIFICATION PROCESS: Follow the steps below to specify your cabinet.

- | | | |
|--|---|---|
| STEP 1: EXTINGUISHER SIZE:
Not Applicable | STEP 4: SERIES:
<input type="checkbox"/> VC - Valve Cabinet | STEP 7: HANDLE OPTIONS:
<input type="checkbox"/> 008 - Safety Break Lock |
| STEP 2: CABINET STYLE: *
<input type="checkbox"/> 2 - Fully-Recessed (FR) | STEP 5: CABINET TYPE:
<input type="checkbox"/> SG - SAFEGUARD - Fire Rated | STEP 8: GLAZING:
<input type="checkbox"/> G10 - Double Strength Glass
<input type="checkbox"/> G11 - Clear Acrylic (Standard)
<input type="checkbox"/> G12 - Clear Tempered Glass
<input type="checkbox"/> G13 - Single Strength Glass |
| STEP 3: DOOR STYLE:
<input type="checkbox"/> 6 - Full Glass (FG)
<input type="checkbox"/> 7 - Full Metal (FM) | STEP 6: FINISH OPTIONS:
<input type="checkbox"/> SSF - Stainless Steel Front
<input type="checkbox"/> FSS - Full Stainless Steel
<input type="checkbox"/> RD - Red Coated (VC-Standard) | STEP 9: LETTERING:
<input type="checkbox"/> 007 - Decal "Fire Department Valve" |

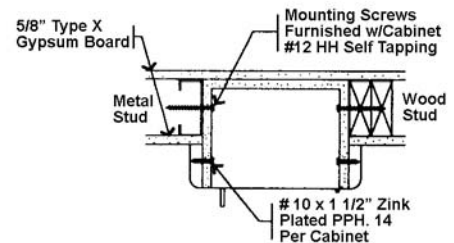
Safeguard fire rated assembly



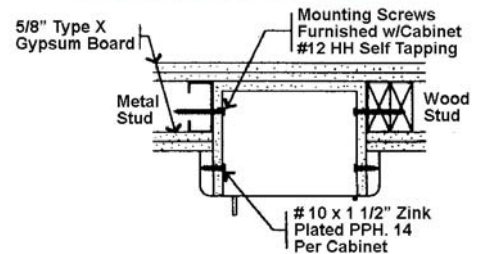
FULL GLASS



SAFEGUARD Fire Rated Installation ONE HOUR FIRE WALL SYSTEM



TWO HOUR FIRE WALL SYSTEM



SAFEGUARD Valve Knockout Drilling: No knockouts are provided with Safeguard Valve Cabinets. Find the exact location of the pipe(s) which enter the cabinet and mark the cabinet tub appropriately. Both outside and inside tubs and insulation material must be completely open to receive pipe(s).

WARNOCK HERSEY LISTED UL Classified 5/8" Type X gypsum board inserted in the cavity between the two layers. Warnock Hersey has approved the Safeguard Cabinets to be mounted in any face of fire rated steel or wood stud for up to 2 hour rated walls without affecting its fire rating. The above meets the requirement test ASTM-E119-98 with test report WHI-495-1534. MOUNTING INSTRUCTIONS are supplied with each safeguard cabinet.

✓	Mod. #	Interior Tub Size			Overall Outside Trim		Rough Opening			Trim Style	SAFEGUARD Rough Opening			SAFEGUARD Trim Style	Knockout Location		Accom. Ext. Size
		W	H	D	W	H	W	H	D		W	H	D		A	B	
Valve Cabinet Fully-Recessed																	
	26-VC	18"	18"	8"	22"	22"	18 1/4"	18 1/4"	7 3/4"	1/4"	19 5/16"	19 5/16"	8 1/2"	1/2"	9"	4"	1 1/2 - 2 1/2
	27-VC	18"	18"	8"	22"	22"	18 1/4"	18 1/4"	7 3/4"	1/4"	19 5/16"	19 5/16"	8 1/2"	1/2"	9"	4"	1 1/2 - 2 1/2