

# SUBMITTAL/TECHNICAL DATA SHEET



## SPECIFICATION

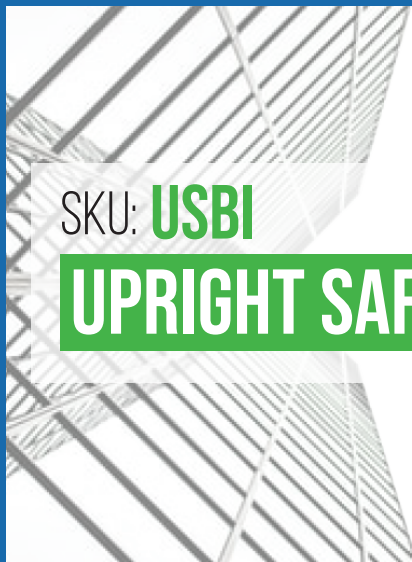
### BENEFITS:

- The Upright Safety Bar is designed to assist in the safe passage when exiting and entering the roof hatch. A heavy-duty, hinged steel mechanism allows the upward and downward movement of the bright yellow safety bar.

- No need to attach bar to center of ladder rungs. Upright Safety Bar has been designed to provide the safest way to exit and enter a roof hatch without restricting the opening or footing on the top rungs of the ladder.

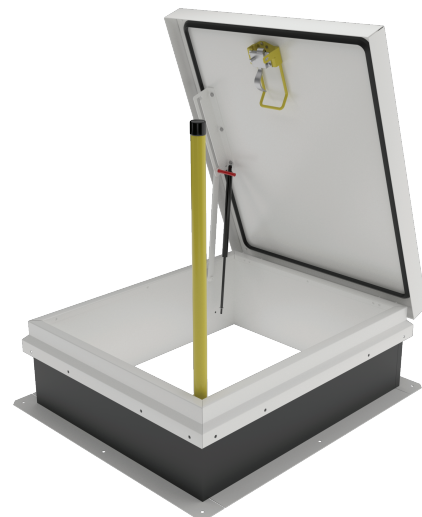
### QUALITY DESIGN & CONSTRUCTION:

- Simple and safe lift-and-lock into place movement
- Side location for safer and more convenient passage
- Automatically locks when fully extended
- Shipped as a separate unit. Also, available assembled to roof hatch
- Designed for hatches 4-foot and smaller on the ladder side
- Designed to provide approximately 42" height above ladder



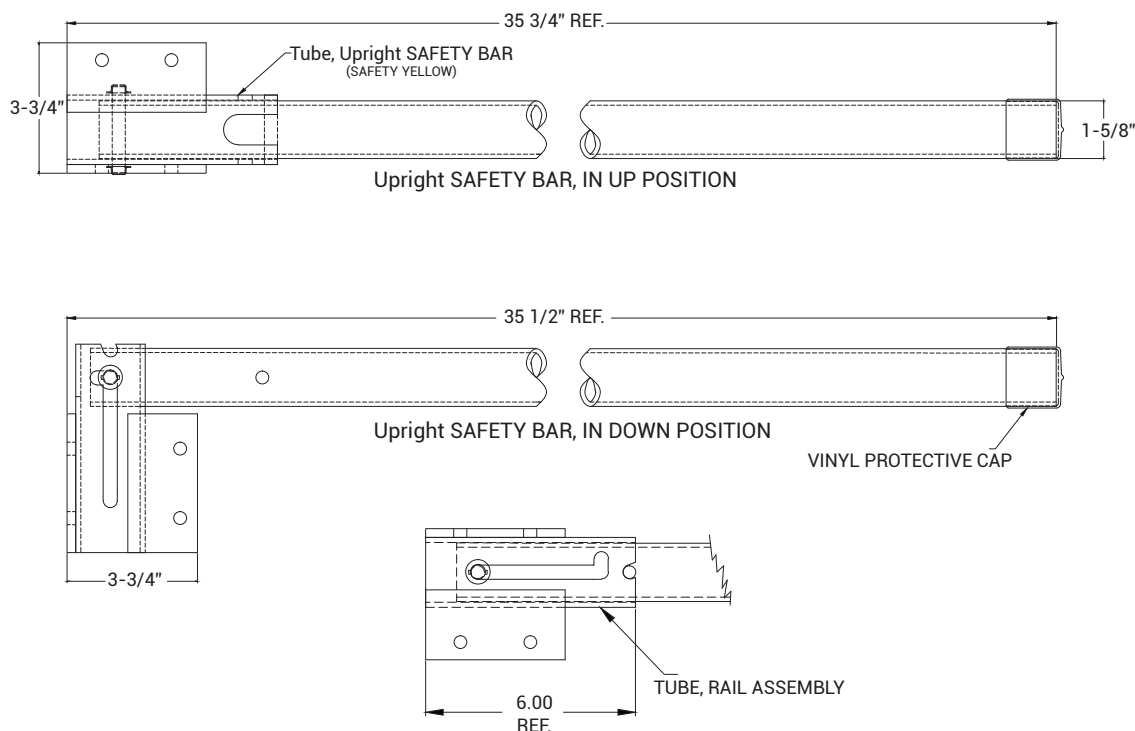
SKU: **USBI**

## UPRIGHT SAFETY BAR



## DIMENSIONS AND APPEARANCE

>> CLICK TO VIEW ADDITIONAL DETAILS AND PRICING <<



For a complete list of options visit [www.AccessDoorsAndPanels.com](http://www.AccessDoorsAndPanels.com)

## PROJECT DATA

Custom Sizes Available - Fast!

PROJECT NAME :	QTY	W	H	OPTIONS
ARCHITECT :				
DEALER :				
CONTRACTOR :				
LOCATION :	SPECIAL INSTRUCTIONS :			
DATE :	SUBMITTAL APPROVAL : (signature or stamp)			
TAGGING INSTRUCTIONS :				

Scan or Click



To view Pricing and Additional Product Info.

TELEPHONE:  
1-888-457-1275

FAX:  
1-888-626-2907



PO BOX 66738 #76520,  
SAINT LOUIS, MO  
63166-6738  
USA



WEBSITE:  
[www.AccessDoorsAndPanels.com](http://www.AccessDoorsAndPanels.com)

E-MAIL:  
[info@accessdoorsandpanels.com](mailto:info@accessdoorsandpanels.com)