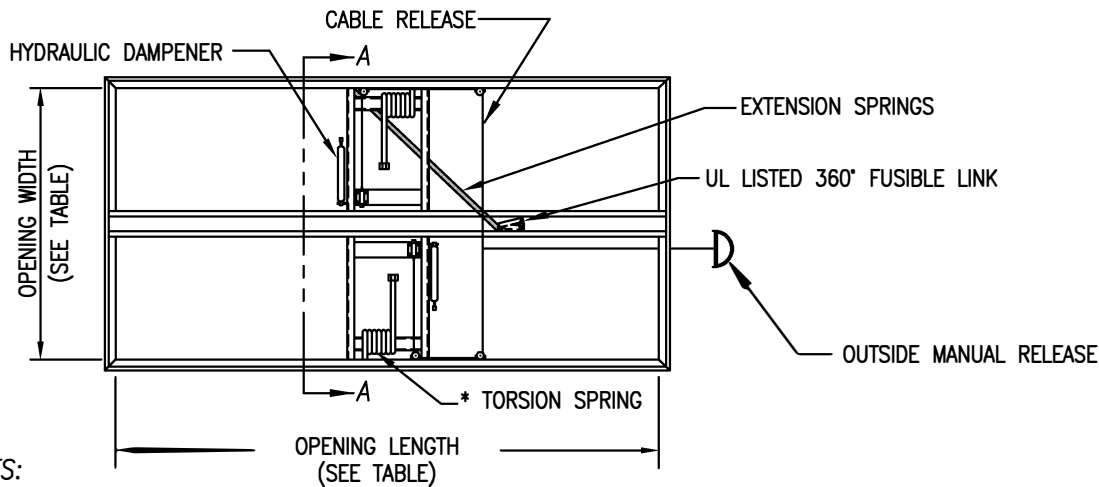


7/16" HOLES 1-1/4" FROM OUTSIDE  
EDGE ARE PROVIDED ALONG PERIMETER  
(24" MIN. O.C.) OF FLANGE FOR MOUNTING.



**NOTES:**

- \* LISTED BY UNDERWRITERS' LABORATORIES (UL793)
- \* APPROVED BY FACTORY MUTUAL (SNOW RATE 10 PSF)
- \* APPROVED BY FACTORY MUTUAL (UP-LIFT PRESSURE 225 PSF)

ORDER WILL NOT BE RELEASED FOR FABRICATION UNTIL SIGNED COPY IS RECEIVED.

VERIFICATION AND APPROVAL OF GENERAL ARRANGEMENT AND OVERALL DIMENSIONS OF THIS DOCUMENT ARE REQUIRED BEFORE THE ORDER IS ENTERED FOR MANUFACTURING.

APPROVAL SIGNATURE \_\_\_\_\_  
TITLE HELD \_\_\_\_\_  
DATE OF APPROVAL \_\_\_\_\_

U-LPAG "LOW PROFILE" HEAT & SMOKE VENT			
MATERIAL SCHEDULE			
QUANTITY	SIZE	COVER	FRAME
		.063 GA. ALUM.	16 GA.GALV.STL.

STANDARD MODEL TABLE					
MODEL NUMBER	INSIDE CURB DIM.		QTY.	UL	FM
	WIDTH	X LENGTH			
U-LPAG-4848	48"	X 48"		✓	✓
U-LPAG-4860	48"	X 60"		✓	✓
U-LPAG-4872	48"	X 72"		✓	✓
U-LPAG-4884	48"	X 84"		✓	✓
U-LPAG-4890	48"	X 90"		✓	✓
U-LPAG-4896	48"	X 96"		✓	✓
U-LPAG-5448	54"	X 48"		✓	✓
U-LPAG-5460	54"	X 60"		✓	✓
U-LPAG-5472	54"	X 72"		✓	✓
U-LPAG-6060	60"	X 60"		✓	✓

**MILCOR**

ALUMINUM & GALVANIZED CONSTRUCTION	
DEALER _____	
PROJECT _____	
LOCATION _____	
ARCH. _____	
DATE _____	DRAWN _____
JOB NO. _____	
REV:(A) UP LIFT PRESSURE WAS 30 PSF(03/17/10)	
SHEET	

**AccessDoorsAndPanels**

Address: PO Box 66738 #76520, Saint Louis, MO 63166-6738  
Phone: 1-800-609-2917 Fax: 1-888-626-2907  
Website: www.AccessDoorsAndPanels.com  
Email: info@AccessDoorsAndPanels.com