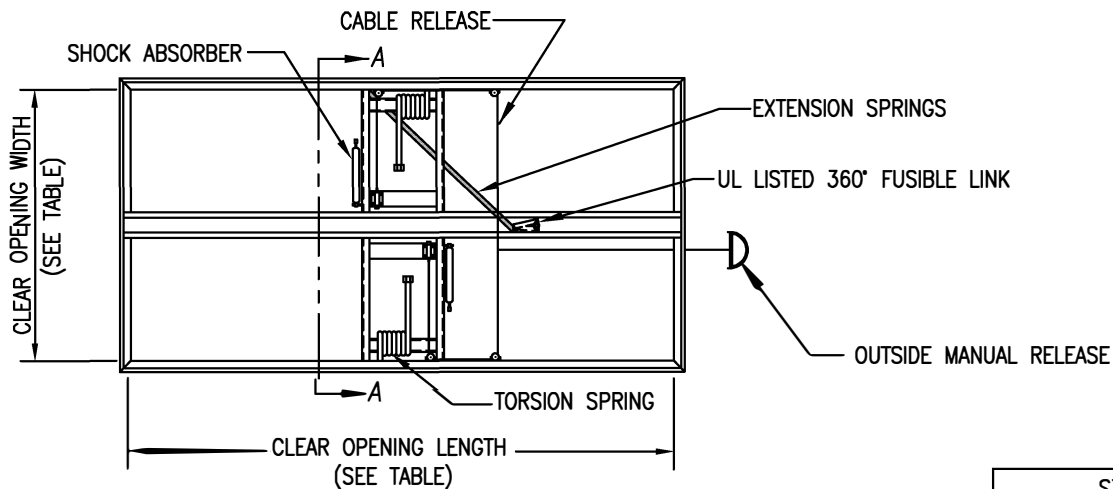


7/16" HOLES 1-1/4" FROM OUTSIDE EDGE ARE PROVIDED ALONG PERIMETER (24" MIN. O.C.) OF FLANGE FOR MOUNTING.



ORDER WILL NOT BE RELEASED FOR FABRICATION UNTIL SIGNED COPY IS RECEIVED.

VERIFICATION AND APPROVAL OF GENERAL ARRANGEMENT AND OVERALL DIMENSIONS OF THIS DOCUMENT ARE REQUIRED BEFORE THE ORDER IS ENTERED FOR MANUFACTURING.

APPROVAL SIGNATURE: \_\_\_\_\_  
 TITLE: \_\_\_\_\_  
 DATE OF APPROVAL: \_\_\_\_\_

U-LPA "LOW PROFILE" HEAT & SMOKE VENT

MATERIAL SCHEDULE			
QUANTITY	SIZE	COVER	FRAME
		.063 GA. ALUM.	.090 GA. ALUM.

STANDARD MODEL TABLE				
MODEL NUMBER	INSIDE CURB DIM. WIDTH X LENGTH	QTY.	UL	FM
U-LPA-4848	48" X 48"		✓	✓
U-LPA-4860	48" X 60"		✓	✓
U-LPA-4872	48" X 72"		✓	✓
U-LPA-4884	48" X 84"		✓	✓
U-LPA-4890	48" X 90"		✓	✓
U-LPA-4896	48" X 96"		✓	✓
U-LPA-5448	54" X 48"		✓	✓
U-LPA-5460	54" X 60"		✓	✓
U-LPA-5472	54" X 72"		✓	✓
U-LPA-6060	60" X 60"		✓	✓

**MILCO**

ALUMINUM CONSTRUCTION

DEALER \_\_\_\_\_  
 PROJECT \_\_\_\_\_  
 LOCATION \_\_\_\_\_  
 ARCH. \_\_\_\_\_  
 DATE \_\_\_\_\_ DRAWN \_\_\_\_\_  
 JOB NO. \_\_\_\_\_

REV:(A) UP LIFT PRESSURE WAS 30 PSF(03/17/10)  
 REV:(B) FUSIBLE LINK CHANGED TO 360(12/03/14)

SHEET

LISTED BY UNDERWRITERS' LABORATORIES UL793  
 APPROVED BY FACTORY MUTUAL (SNOW RATE 10 PSF)  
 \* APPROVED BY FACTORY MUTUAL (UP-LIFT PRESSURE 225 PSF)  
 \* CURB WIDTHS X LENGTHS BETWEEN THE STANDARD LISTED SIZES ARE CUSTOM.

**AccessDoorsAndPanels**

Address: PO Box 66738 #76520, Saint Louis, MO 63166-6738  
 Phone: 1-800-609-2917 Fax: 1-888-626-2907  
 Website: www.AccessDoorsAndPanels.com  
 Email: info@AccessDoorsAndPanels.com