
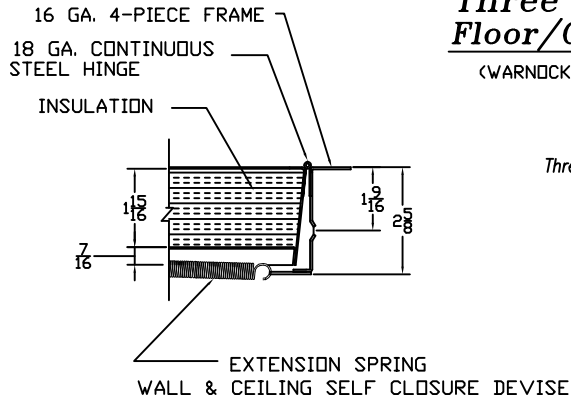
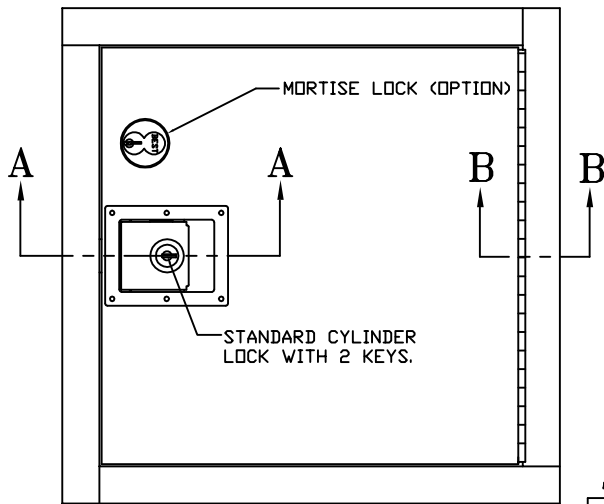




Toll Free Phone: 1-800-609-2917 / Toll Free Fax: 1-888-828-6021 / Email: info@accessdoorsandpanels.com / www.accessdoorsandpanels.com

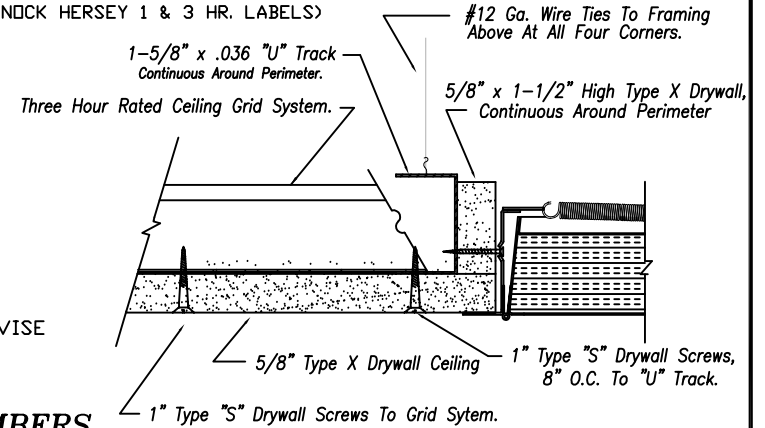
LEED for NEW CONSTRUCTION Version 2.2								Milcor Galv Steel Roof Hatches	Milcor Alum Roof Hatches	Milcor Skylight Hatches	Milcor Galv Stl Heat & Smoke Vents	Milcor Alum Heat & Smoke Vents	Milcor Domed Heat & Smoke Vents	Milcor Translucent Panel Heat & Smoke Vents	Milcor Steel Sidewalk Doors	Milcor Alum Sidewalk Doors	Milcor Steel Floor Doors	Milcor Alum Floor Doors	Milcor Steel Access Doors
SS	WE	EA	MR	EQ	ID		Heat Island Effect, Roof	X		X	X		X	X					
Credit 7.2																			
SS	WE	EA	MR	EQ	ID		Recycled Content, 10% (post-consumer + 1/2 pre-consumer)	X	X	X	X	X	X	X	X	X	X	X	
Credit 4.1																			
SS	WE	EA	MR	EQ	ID		Recycled Content, 20% (post-consumer + 1/2 pre-consumer)	X	X	X	X	X	X	X	X	X	X	X	
Credit 4.2																			
SS	WE	EA	MR	EQ	ID		Regional Materials, 10% Extracted, Processed & Manufactured	X	X	X	X	X	X	X	X	X	X	X	
Credit 5.1																			
SS	WE	EA	MR	EQ	ID		Regional Materials, 20% Extracted, Processed & Manufactured	X	X	X	X	X	X	X	X	X	X	X	
Credit 5.2																			
SS	WE	EA	MR	EQ	ID		Low-Emitting Materials, Adhesives & Sealants	X	X	X	X	X	X	X	X	X	X	X	
Credit 4.1																			
SS	WE	EA	MR	EQ	ID		Low-Emitting Materials, Paints & Coatings	X		X	X		X	X	X	X	X	X	
Credit 4.2																			



SECTION B - B

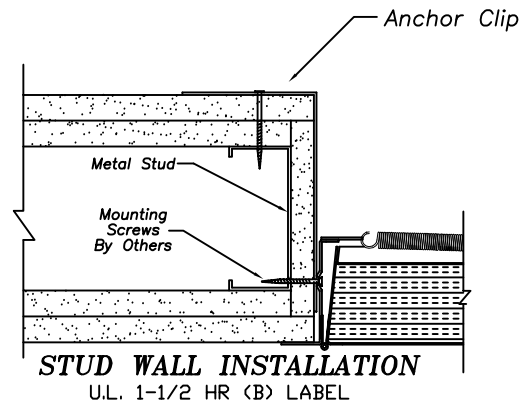
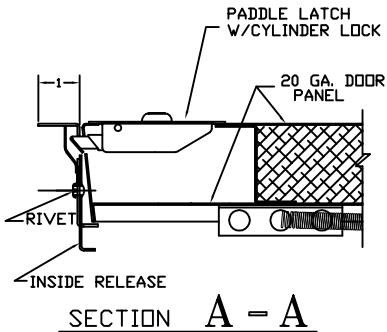
### Three Hour Rated Non-combustible Floor/Ceiling Installation.

(WARNOCK HERSEY 1 & 3 HR. LABELS)

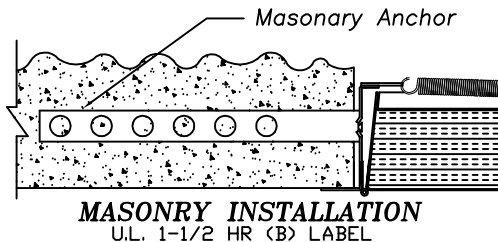


### STANDARD SIZES and PRODUCT NUMBERS

DOOR SIZE	FRAMED OPENING	PRODUCT NUMBER	No. PADDLE LATCHES	MASONRY ANCHORS
8 X 8 •	8-1/2 X 8-1/2	3218-010	1	4
12 X 12	12-1/2 X 12-1/2	3218-012	1	4
14 X 14	14-1/2 X 14-1/2	3218-014	1	4
16 X 16	16-1/2 X 16-1/2	3218-016	1	4
18 X 18	18-1/2 X 18-1/2	3218-018	1	4
12 X 24	12-1/2 X 24-1/2	3218-020	1	4
24 X 24	24-1/2 X 24-1/2	3218-024	1	4
22 X 30	22-1/2 X 30-1/2	3218-022	1	4
24 X 30	24-1/2 X 30-1/2	3218-023	1	4
30 X 30 •	30-1/2 X 30-1/2	3218-030	1	4
32 X 32 •	32-1/2 X 32-1/2	3218-032	1	4
22 X 36	22-1/2 X 36-1/2	3218-027	1	6
24 X 36	24-1/2 X 36-1/2	3218-028	1	8
36 X 36 •	36-1/2 X 36-1/2	3218-036	1	8
24 X 48 •	24-1/2 X 48-1/2	3218-031	2	8
36 X 48 •	36-1/2 X 48-1/2	3218-038	2	8
48 X 48 •	48-1/2 X 48-1/2	3218-048	2	8



• - 8 x 8 IS FOR WALL APPLICATION ONLY  
 ◆ - INTENDED FOR VERTICAL (WALL) APPLICATION ONLY  
 NOTE: STAINLESS STEEL FIRE-RATED DOORS ARE AVAILABLE IN A MAXIMUM DIMENSION OF 36"



### UNIVERSAL FIRE RATED ACCESS DOOR (UFRAD)

#### MATERIAL SCHEDULE

QUANTITY	SIZE	DOOR PANEL	FRAME
	SEE CHART	20 GA.	16 GA.



Toll Free Phone: 1-800-609-2917  
 Toll Free Fax: 1-888-828-6021  
 Email: info@accessdoorsandpanels.com  
 www.accessdoorsandpanels.com

### INSULATED FIRE RATED DOORS for WALLS and CEILING U.L. and WARNOCK HERSEY APPROVED

DEALEP \_\_\_\_\_

PROJECT \_\_\_\_\_

LOCATION \_\_\_\_\_

ARCH. \_\_\_\_\_

CONT'D \_\_\_\_\_

DATE \_\_\_\_\_ DRAWN D.W.M.

REV \_\_\_\_\_ JOB NO.

20001/UFR-sub03 SHEET