

UCSS

UNIVERSAL COVER

Application

- Provides quick, convenient and architecturally pleasing covers to plumbing clean-outs in wet areas

Product Features

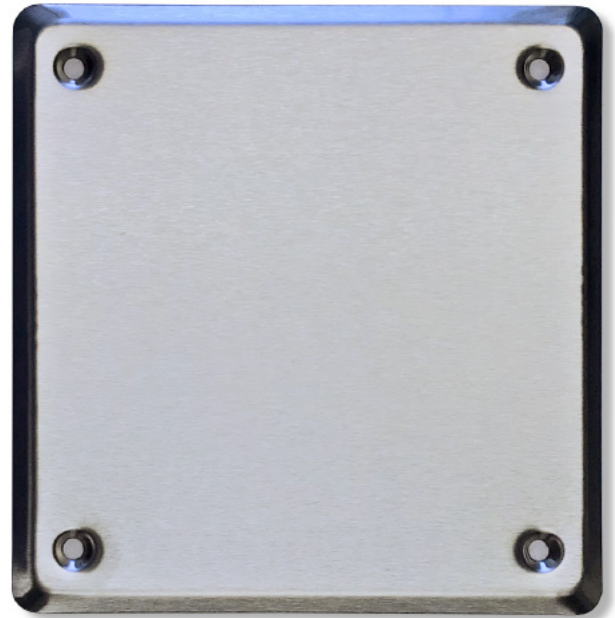
- Corrosion resistant Stainless Steel ensures long life
- Architecturally pleasing appearance in satin brush finish
- Bevelled edges with rounded corners assures safe installation
- Flush counter-sunk mounting screws

UCSS Specifications:

Material: 22 Ga Stainless Steel 304 grade.

Cover: Square shaped, bevelled edges and rounded corners with countersunk holes on each corner for installation screws. 4pcs x Stainless Steel #10 x 1.250" Oval Head Square Tapping screws included.

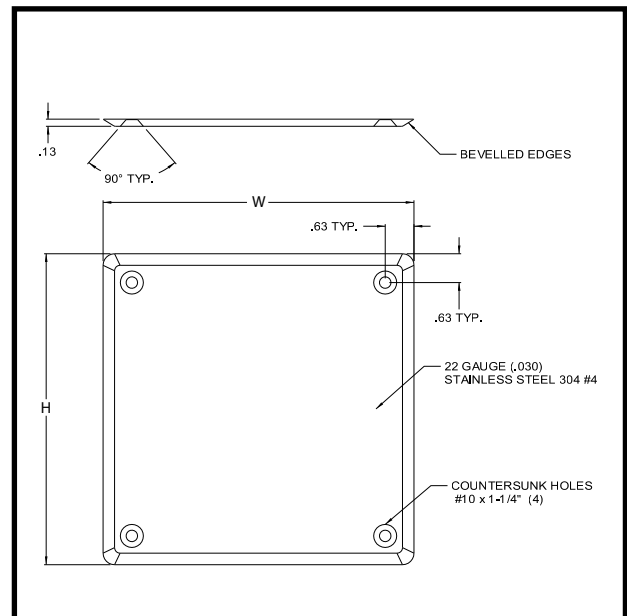
Finish: #4 Satin Brush



UCSS STANDARD SIZES

(other sizes available upon request)

Nominal Door Size W&H		Wall opening		Weight per Door	
Inches	mm	Inches	mm	lbs.	kg.
6 x 6	152 x 152	4 x 4	102 x 102	0.31	0.14
8 x 8	203 x 203	6 x 6	152 x 152	0.55	0.25
10 x 10	254 x 254	8 x 8	203 x 203	0.87	0.39
12 x 12	305 x 305	10 x 10	254 x 254	1.25	0.57
14 x 14	356 x 356	12 x 12	305 x 305	1.71	0.77
16 x 16	406 x 406	14 x 14	356 x 356	2.24	1.01
18 x 18	457 x 457	16 x 16	406 x 406	2.81	1.28
24 x 24	610 x 610	22 x 22	559 x 559	5.04	2.28



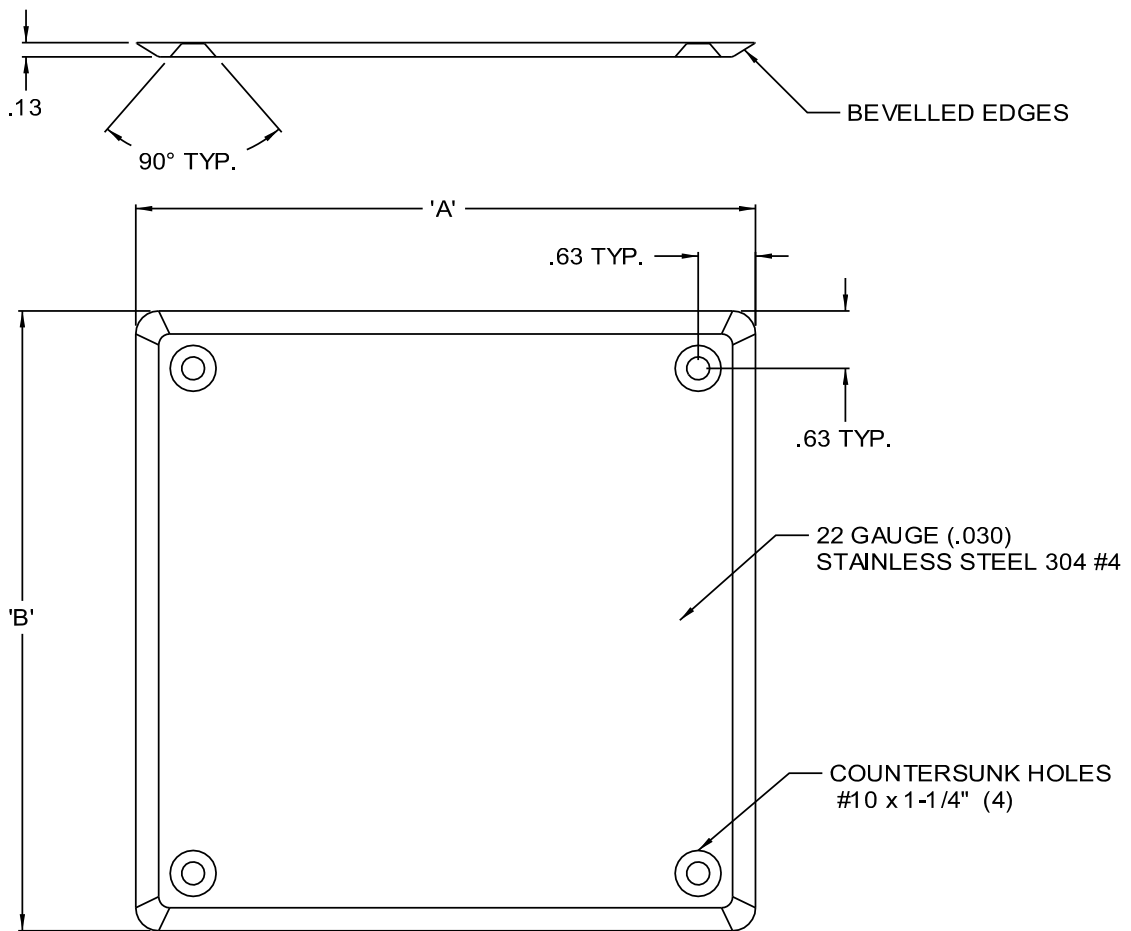


www.accessdoorsandpanels.com
 info@accessdoorsandpanels.com
 1-800-609-2917
 P.O. Box 66738 #76520 Saint Louis

UCSS

UNIVERSAL COVER

QTY.	NOMINAL SIZE	WALL OPENING SIZE	A	B	WEIGHT PER COVER
	6 X 6 (152 x 152)	4 X 4 (102 X 102)	6 (152)	6 (152)	.31 lbs / .14 kg
	8 X 8 (203 x 203)	6X 6 (152 X 152)	8 (203)	8 (203)	.55 lbs / .25 kg
	10 X 10 (254 x 254)	8X 8 (203 X 203)	10 (254)	10 (254)	.87 lbs / .39 kg
	12 X 12 (305 x 305)	10X 10 (254 X 254)	12 (305)	12 (305)	1.25 lbs / .57 kg
	14 X 14 (356 x 356)	12X 12 (305 X 305)	14 (356)	14 (356)	1.71 lbs / .77 kg
	16 X 16 (406 x 406)	14 X 14 (356 X 356)	16 (406)	16 (406)	2.24 lbs / 1.01 kg
	18 X 18 (457 x 457)	16 X 16 (406 X 406)	18 (457)	18 (457)	2.81 lbs / 1.27 kg
	24 X 24 (610 x 610)	22 X 22 (559 X 559)	24 (610)	24 (610)	5.04 lbs / 2.28 kg



STANDARD FEATURES: 22 GAUGE STAINLESS STEEL 304 #4
 SQUARE SHAPED BEVELLED EDGES
 COUNTERSUNK HOLES
 INSTALLATION SCREWS 4 PIECE STAINLESS STEEL #10 x 1-1/4" OVAL HEAD

JOB NAME:

APPROVED BY:

CUSTOMER:

DATE: