

### Detail & Submittal Sheet

Titan Series (TN) Aluminum cabinets are constructed of non-extruded .063 thick aluminum with grey finish powder coat. All non-rated cabinets come standard with aluminum tubs, chrome steel handles and clear acrylic glazing. Fire-rated cabinets come standard with steel tubs, chrome steel handles and clear acrylic glazing.

Project: \_\_\_\_\_

Specification Reference: \_\_\_\_\_

Model Number: \_\_\_\_\_ Quantity: \_\_\_\_\_

Architect: \_\_\_\_\_


Contractor: \_\_\_\_\_

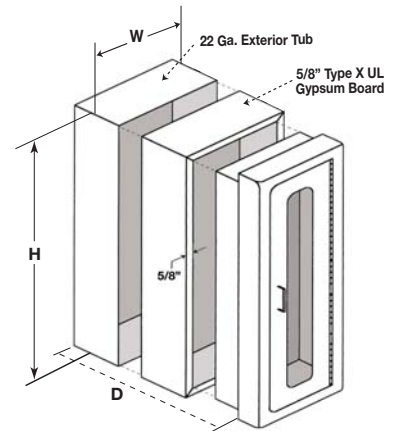
Distributor: \_\_\_\_\_

Approved By: \_\_\_\_\_


Date: \_\_\_\_\_

**SPECIFICATION PROCESS:** Follow the steps below to specify your cabinet.

- STEP 1: EXTINGUISHER SIZE:**  
1 - 10 lb.
- STEP 2: CABINET STYLE:**  
0 - Surface Mounted (S)  
1 - Semi-Recessed (SR)  
2 - Fully-Recessed (FR)
- STEP 3: DOOR STYLE:**  
6 - Full Glass (FG)  
7 - Full Metal (FM)  
8 - Vertical Duo (VD)
- STEP 4: SERIES:**  
TN - Aluminum Cabinet
- STEP 5: CABINET TYPE:**  
**SG - SAFEGUARD - Fire Rated with steel tub**
- STEP 6: FINISH OPTIONS:**  
 AL - Aluminum Front (w/steel tub)  
 FAL - Full Aluminum (front and tub)
- STEP 7: HANDLE OPTIONS:**  
 008 - Safety Break Lock  
 010 - Alum. Die Cast Red "Fire" Handle  
 012 - ADA Handle 
- STEP 8: GLAZING:**  
 G10 - Double Strength Glass  
 G11 - Clear Acrylic (standard)  
 G12 - Clear Tempered Glass  
 G13 - Single Strength Glass
- STEP 9: LETTERING:**  
 002 - Decal "Pull Firmly" R only  
 004 - Decal "Fire Ext." Lrg Vert R/B  
 005 - Decal "Fire Ext." Sm Horiz R/B  
 006 - Decal "Fire Ext." Lrg Horiz R/B



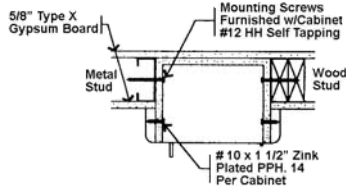
**SAFEGUARD fire rated assembly**

 UL Classified 5/8" Type X gypsum board inserted in the cavity between the two layers. Warnock Hersey has approved the Safeguard Cabinets to be mounted in any face of fire rated steel or wood stud for up to 2 hour rated walls without affecting its fire rating. The above meets the requirement test ASTM-E119-98 with test report WHI-495-1534. MOUNTING INSTRUCTIONS are supplied with each Safeguard cabinet.

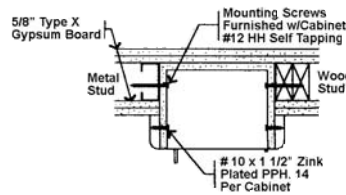
**SAFEGUARD**


Typical Semi-Recessed Fire Rated Installation

**ONE HOUR FIRE WALL SYSTEM**



**TWO HOUR FIRE WALL SYSTEM**



✓	Mod. #	Interior Tub Size			Overall Outside Trim		FAL (aluminum front and tub) Rough Open			FAL (aluminum front and tub) Trim Style	SAFEGUARD - AL (aluminum front and steel tub) Rough Opening 			SAFEGUARD AL (aluminum front and steel tub) Trim Style	Accom. Ext Size
		W	H	D	W	H	W	H	D		W	H	D		Lbs.
<b>Surface Mounted</b>															
	106-TN	9 1/2"	23 3/4"	6"	10"	24 1/2"	-	-	-	-	-	-	-	-	10
	107-TN	9 1/2"	23 3/4"	6"	10"	24 1/2"	-	-	-	-	-	-	-	-	10
	108-TN	9 1/2"	23 3/4"	6"	10"	24 1/2"	-	-	-	-	-	-	-	-	10
<b>Semi-Recessed</b>															
	116-TN	9 1/2"	24"	6"	13 1/2"	28 1/2"	9 3/4"	24 1/4"	3 1/2"	2 1/2"	11 1/4"	25 3/4"	3 3/4"	3"	10
	117-TN	9 1/2"	24"	6"	13 1/2"	28 1/2"	9 3/4"	24 1/4"	3 1/2"	2 1/2"	11 1/4"	25 3/4"	3 3/4"	3"	10
	118-TN	9 1/2"	24"	6"	13 1/2"	28 1/2"	9 3/4"	24 1/4"	3 1/2"	2 1/2"	11 1/4"	25 3/4"	3 3/4"	3"	10
<b>Fully-Recessed</b>															
	126-TN	9 1/2"	24"	6"	14"	28 1/2"	9 3/4"	24 1/4"	5 3/4"	1/4"	11 1/4"	25 3/4"	6 1/2"	1/4"	10
	127-TN	9 1/2"	24"	6"	14"	28 1/2"	9 3/4"	24 1/4"	5 3/4"	1/4"	11 1/4"	25 3/4"	6 1/2"	1/4"	10
	128-TN	9 1/2"	24"	6"	14"	28 1/2"	9 3/4"	24 1/4"	5 3/4"	1/4"	11 1/4"	25 3/4"	6 1/2"	1/4"	10