

ALUMINUM DRYWALL ACCESS DOOR Model KAD

For All Types of Construction

DATE _____



CONSTRUCTION:

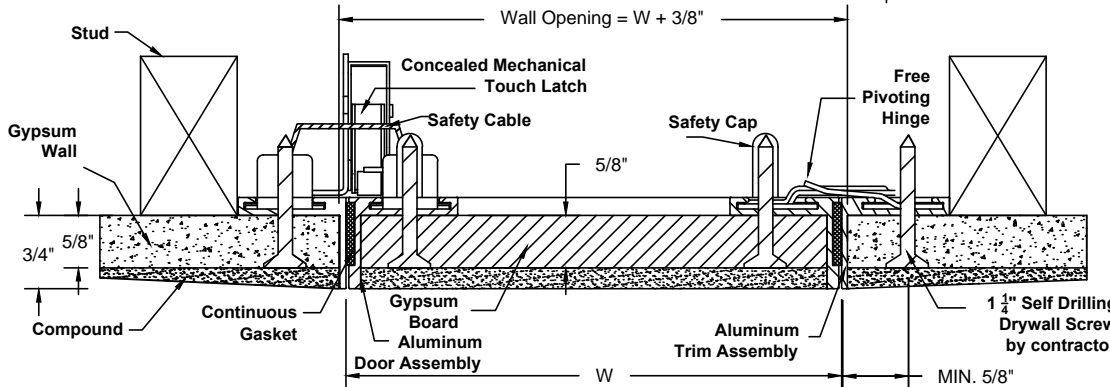
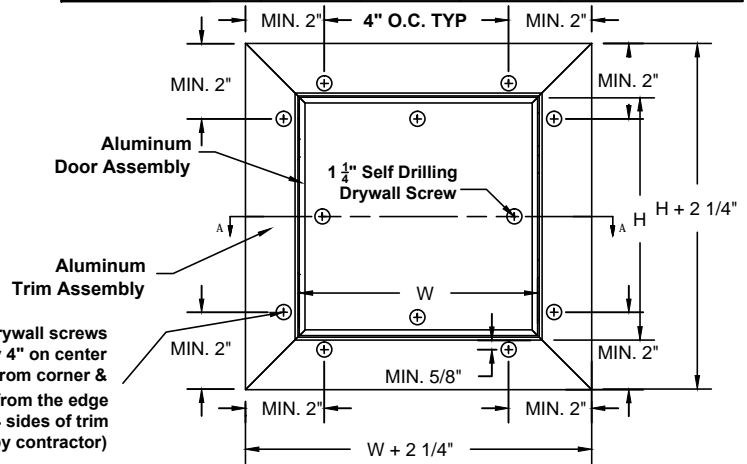
1. Trim assembly shall be 4-piece aluminum extrusion.
2. Door assembly shall be 4-piece aluminum extrusion with drywall installed.
3. Depth of the Frame shall be 0.75" and is designed for 5/8" drywall with 0.125" compound applied at installation.
4. Gasketing between door and frame shall be 0.6" wide by 0.125" thick continuous gasket.
5. Door drywall insert shall be 5/8" thick.
6. Latch shall be concealed mechanical touch-latch.
7. Hinge shall be free pivoting hinge.
8. Finish shall be unpainted mill-finish aluminum.
9. Door assembly can be completely removed for maximum clearance.
10. Safety cable must be installed to connect door and frame assembly.

PROJECT DATA					
Project Name:					
Architect:					
Contractor:					
Agent/Customer Name:					
Tagging Instructions:					
Special Instructions:					

PROJECT SCHEDULE					
Qty.	H	W	No. of Latches	Finish	Remarks

STANDARD SIZES (Special sizes on request)

DOOR SIZE H X W (IN.)	WALL/CEILING OPENING (IN.)	NUMBER OF Latches	SHIP WT. (LBS.)
6 x 6	6 3/8 x 6 3/8	2	2.25
8 x 8	8 3/8 x 8 3/8	2	3.00
10 x 10	10 3/8 x 10 3/8	2	4.00
12 x 12	12 3/8 x 12 3/8	2	5.00
14 x 14	14 3/8 x 14 3/8	2	6.75
16 x 16	16 3/8 x 16 3/8	2	8.25
18 x 18	18 3/8 x 18 3/8	2	9.00
24 x 24	24 3/8 x 24 3/7	2	14.50
36 x 24	36 3/8 x 24 3/8	2	23.75



Made with Union Labor

SECTION A-A