

# MILCOR®

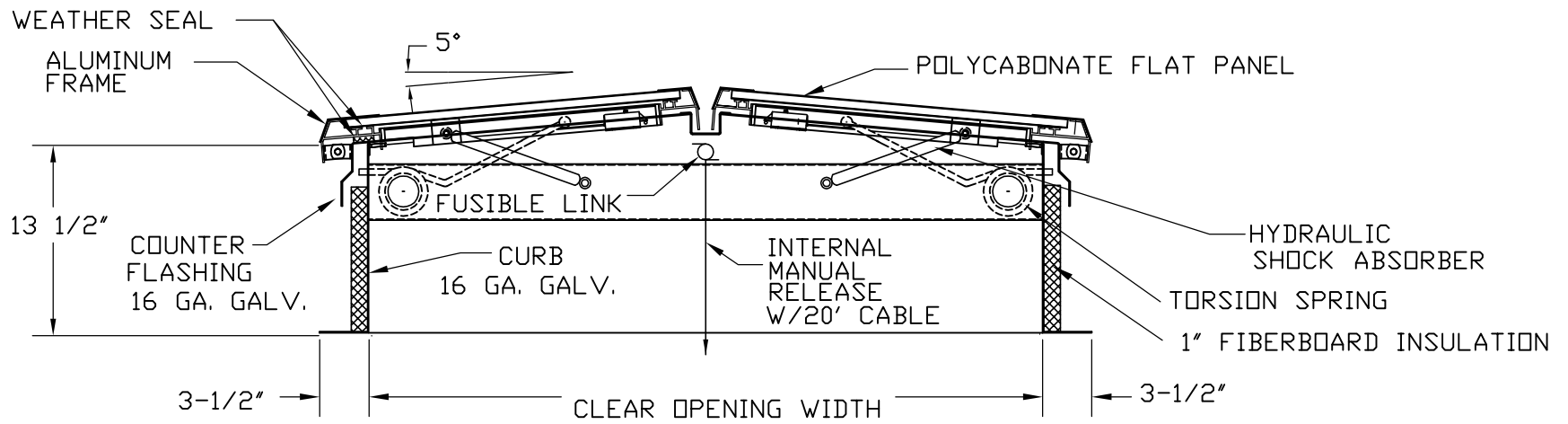
## LEED for NEW CONSTRUCTION Version 2.2



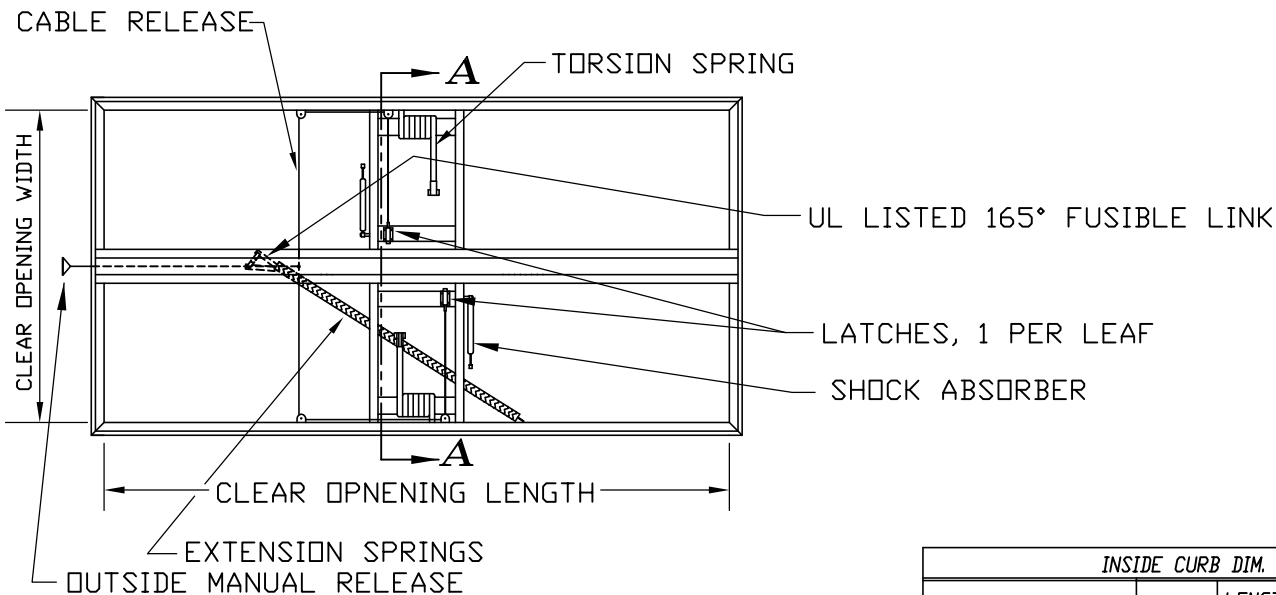
						Milcor Galv Steel Roof Hatches	Milcor Alum Roof Hatches	Milcor Skylight Hatches	Milcor Galv Stl Heat & Smoke Vents	Milcor Alum Heat & Smoke Vents	Milcor Domed Heat & Smoke Vents	Milcor Translucent Panel Heat & Smoke Vents	Milcor Steel Sidewalk Doors	Milcor Alum Sidewalk Doors	Milcor Steel Floor Doors	Milcor Alum Floor Doors	Milcor Steel Access Doors
<b>SS</b>	<b>WE</b>	<b>EA</b>	<b>MR</b>	<b>EQ</b>	<b>ID</b>	Heat Island Effect, Roof	X	X	X	X	X	X	X	X	X	X	X
Credit 7.2																	
<b>SS</b>	<b>WE</b>	<b>EA</b>	<b>MR</b>	<b>EQ</b>	<b>ID</b>	Recycled Content, 10% (post-consumer + 1/2 pre-consumer)	X	X	X	X	X	X	X	X	X	X	X
Credit 4.1																	
<b>SS</b>	<b>WE</b>	<b>EA</b>	<b>MR</b>	<b>EQ</b>	<b>ID</b>	Recycled Content, 20% (post-consumer + 1/2 pre-consumer)	X	X	X	X	X	X	X	X	X	X	X
Credit 4.2																	
<b>SS</b>	<b>WE</b>	<b>EA</b>	<b>MR</b>	<b>EQ</b>	<b>ID</b>	Regional Materials, 10% Extracted, Processed & Manufactured	X	X	X	X	X	X	X	X	X	X	X
Credit 5.1																	
<b>SS</b>	<b>WE</b>	<b>EA</b>	<b>MR</b>	<b>EQ</b>	<b>ID</b>	Regional Materials, 20% Extracted, Processed & Manufactured	X	X	X	X	X	X	X	X	X	X	X
Credit 5.2																	
<b>SS</b>	<b>WE</b>	<b>EA</b>	<b>MR</b>	<b>EQ</b>	<b>ID</b>	Low-Emitting Materials, Adhesives & Sealants	X	X	X	X	X	X	X	X	X	X	X
Credit 4.1																	
<b>SS</b>	<b>WE</b>	<b>EA</b>	<b>MR</b>	<b>EQ</b>	<b>ID</b>	Low-Emitting Materials, Paints & Coatings	X	X	X	X	X	X	X	X	X	X	X
Credit 4.2																	

For more information, contact  
Access Doors and Panels  
[www.accessdoorsandpanels.com](http://www.accessdoorsandpanels.com)

Phone: 1-800-609-2917  
Fax: 1-888-828-6021  
Email [info@accessdoorsandpanels.com](mailto:info@accessdoorsandpanels.com)



SECTION VIEW **A-A**



VERIFICATION AND APPROVAL OF GENERAL ARRANGEMENT AND OVERALL DIMENSIONS OF THIS DOCUMENT ARE REQUIRED BEFORE THE ORDER IS ENTERED FOR MANUFACTURING.

APPROVAL SIGNATURE \_\_\_\_\_

TITLE HELD \_\_\_\_\_

DATE OF APPROVAL \_\_\_\_\_

UL-SKY FLAT PANEL SMOKE VENT			
MATERIAL SCHEDULE			
QUANTITY	SIZE	COVER	FRAME
	SEE CHART	.090 ALUM.	16 GA. GALV.

**MILCOR.**

5030 Corporate Exchange Blvd. SE, Grand Rapids, MI 49512  
 PH: 800-624-8642 FAX: 855-548-2674 www.milcorinc.com

INSIDE CURB DIM.					
STANDARD MODELS	WIDTH	LENGTH VARIES	QTY.	UL	FM
UL-SKY 4848-4896	48"	48'-96"			
UL-SKY 5448-5496	54"	48'-96"			
UL-SKY 6048-6096	60"	48'-96"			
UL-SKY 6648-6696	66"	48'-96"			
UL-SKY 7248-7296	72"	48'-96"			

DEALER	
PROJECT	
LOCATION	
ARCH.	
CONT'D	
DATE	DRAWN
REV	JOB NO.
	SHEET