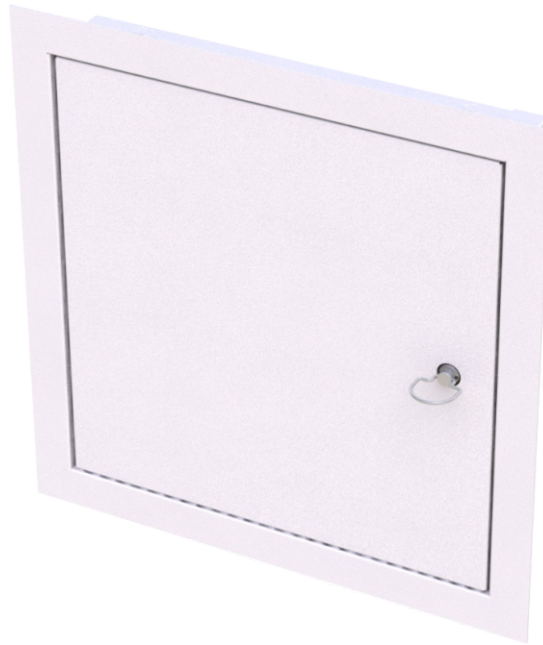


EDI Series



Exterior Door for Walls and Ceilings

Elmdor® Exterior Access Doors are manufactured and engineered to provide access to exterior applications ensuring years of protection against outdoor elements. Our new technology helps to manifest resistance to water and vapor. Our Exterior Door includes foam insulation and neoprene gasket on four sides.

Door is fabricated from 16 gage, galvanized steel with a prime coat finish and 1" thick rigid foam insulation.

Frame is fabricated from 16 gage, galvanized steel with a prime coat finish and provided with bolt holes.

Hinge is concealed and operates completely out of sight, so that only the door and frame are visible.

Exterior latch features a threaded ring latch or key operation.

Interior latch Release is included enabling the door to be opened from the inside.

Finish is a prime coat white, suitable for painting.

Guide Specification

Provide Elmdor® EDI Series, Exterior Access Doors (specify model number and options). Access door frame shall be fabricated from 16 gage galvanized steel with a prime coat white finish and provided with bolt holes. Access door panel shall be fabricated from 16 gage galvanized steel with a prime coat white finish. Door shall be filled with 1" thick, rigid foam insulation and neoprene gasket on four sides. Access door shall have a concealed hinge with exterior lock that features a threaded ring latch or key operation. Internal latch release is included enabling the door to be opened from the inside. Finish shall be prime coat white suitable for painting.



Member of U.S. Green
Building Council

EDI



MODEL NUMBER AND OPTIONS SELECTION

BASE MODEL NUMBER

- EDI Exterior Door for Walls and Ceilings With Internal Release Latch

Suffix Options

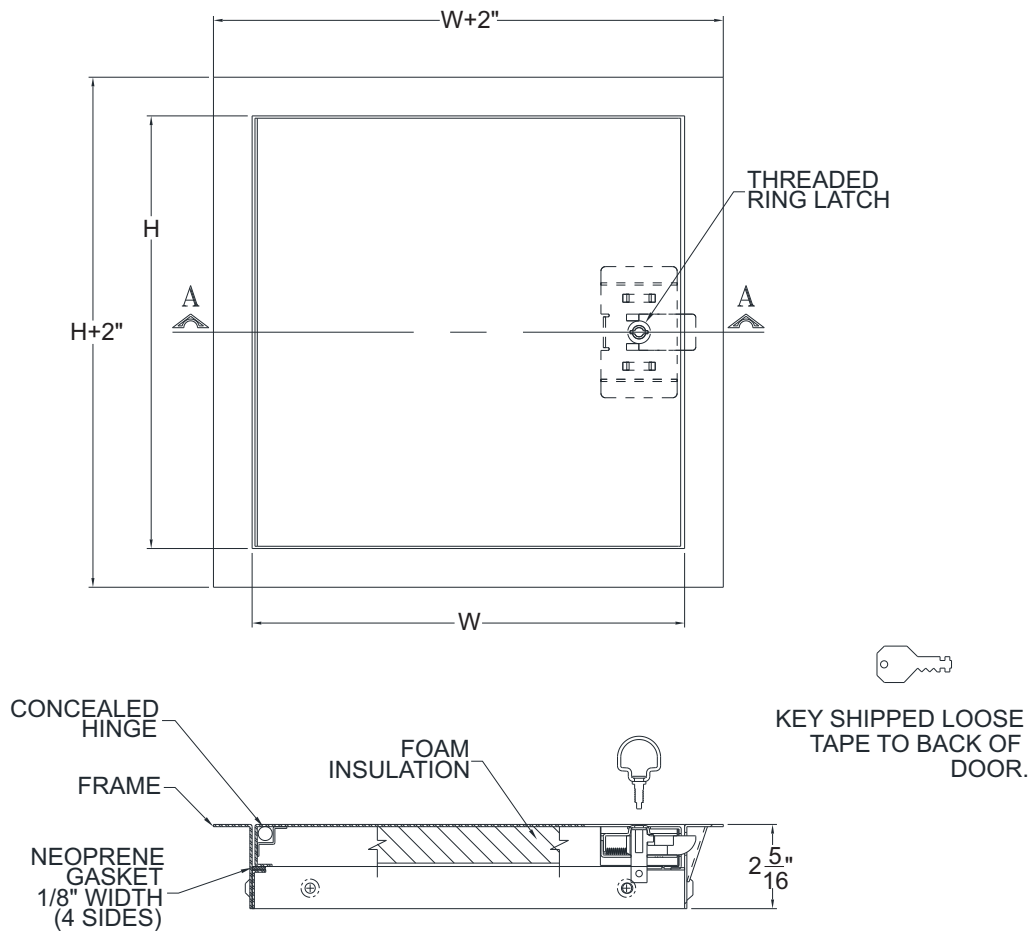
- GB Galvanized Drywall Bead
- SS Stainless Steel Construction. (Type 304 No 4 Finish Satin Finish)

STANDARD AVAILABLE SIZES

Special sizes available upon request.

NOMINAL DOOR SIZE (W x H)	WALL OPENING	LOCK QTY	WEIGHT
EDI 12" x 12"	12-3/8" x 12-3/8"	1	15 lbs.
EDI 14" x 14"	14-3/8" x 14-3/8"	1	17 lbs.
EDI 18" x 18"	18-3/8" x 18-3/8"	1	20 lbs.
EDI 24" x 24"	24-3/8" x 24-3/8"	1	28 lbs.
EDI 22" x 30"	22-3/8" x 30-3/8"	2	32 lbs.

NOMINAL DOOR SIZE (W x H)	WALL OPENING	LOCK QTY	WEIGHT
EDI 30" x 30"	30-3/8" x 30-3/8"	2	38 lbs.
EDI 24" x 36"	24-3/8" x 36-3/8"	2	40 lbs.
EDI 36" x 36"	36-3/8" x 36-3/8"	2	50 lbs.
EDI 36" x 48"	36-3/8" x 48-3/8"	2	81 lbs.



Dimensions are subject to manufacturer's tolerance of plus or minus 1/4". Elmdor/Stoneman assumes no responsibility for use of void or suspended data. Please visit www.elmdorstoneman.com for most current specifications. © Copyright 2009 Elmdor/Stoneman, City of Industry, CA, A Division of Acorn Engineering Company.

Model Number & Options _____	Quantity _____
Company _____	Date _____
Contact _____	Title _____
Approval for Manufacturing/Signature _____	

EDI