

BILCO Type GS-50TB thermally broken roof hatches, 36" x 30" (914mm x 762mm) provide roof top access by means of a fixed interior ladder. Roof hatches feature a frame and cover design that minimizes heat transfer between interior and exterior metal surfaces. The result is a product that resists harmful condensation and provides superior energy efficiency. The easy, one-hand operation, to the fully open or closed position, provides the user the security of having one hand firmly on the ladder at all times. Roof hatches are available in aluminum construction. For more information, please visit our website www.accessdoorsandpanels.com or call 1-800-609-2917.

SECTION 077233

ROOF HATCHES

(BILCO TYPE GS-50TB)

PART 1 - GENERAL

1.1 SUMMARY

- A. Work Included: Provide factory-fabricated roof hatches for ladder access.

1.2 SUBMITTALS

- A. Product Data: Submit manufacturer's product data.
- B. Shop Drawings: Submit shop drawings including profiles, accessories, location, adjacent construction interface, and dimensions.
- C. Warranty: Submit executed copy of manufacturer's standard warranty.

1.3 QUALITY ASSURANCE

- A. Manufacturer: A minimum of 5 years experience manufacturing similar products.
- B. Installer: A minimum of 2 years experience installing similar products.
- C. Manufacturer's Quality System: Registered to ISO 9001:2008 Quality Standards including in-house engineering for product design activities.

1.4 DELIVERY, STORAGE AND HANDLING

- A. Deliver products in manufacturer's original packaging. Store materials in a dry, protected, well-ventilated area. Inspect product upon receipt and report damaged material immediately to delivering carrier and note such damage on the carrier's freight bill of lading.

1.5 WARRANTY

- A. Manufacturer's Warranty: Provide manufacturer's standard warranty. Materials shall be free of defects in material and workmanship for a period of five years from the date of purchase. Should a part fail to function in normal use within this period, manufacturer shall furnish a new part at no charge.

ROOF HATCHES 077233 - 1

For more information, contact Access Doors and Panels www.accessdoorsandpanels.com

Phone: 1-800-609-2917

Fax: 1-888-828-6021

Email: info@accessdoorsandpanels.com

PART 2 - PRODUCTS

2.1 MANUFACTURER

- A. Basis-of-Design Manufacturer: Type GS-50TB Roof Hatch by The BILCO Company, P.O. Box 1203, New Haven, CT 06505, 1-800-366-6530, Fax: 1-203-535-1582, Web: www.bilco.com.

2.2 ROOF HATCH

- A. Furnish and install where indicated on plans metal roof hatch Type GS-50TB, size width: 36" (914mm) x length: 30" (762mm). Length denotes hinge side. The roof hatch shall be single leaf. The roof hatch shall be pre-assembled from the manufacturer.
- B. Performance characteristics:
1. Curb shall be thermally broken to prevent heat transfer between interior and exterior surfaces.
 2. Cover shall be reinforced to support a minimum live load of 40 psf (195kg/m²) with a maximum deflection of 1/150th of the span or 20 psf (97kg/m²) wind uplift.
 3. Operation of the cover shall be smooth and easy with controlled operation throughout the entire arc of opening and closing.
 4. Operation of the cover shall not be affected by temperature.
 5. Entire hatch shall be weather tight with fully welded corner joints on cover and curb.
- C. Cover: Aluminum extrusion with built in drainage channel and polycarbonate dome. Cover shall have a heavy extruded EPDM rubber gasket bonded to the cover interior to assure a continuous seal when compressed to the top surface of the curb.
- D. Curb: Shall be 12" (305mm) in height and of 11 gauge (2.3mm) aluminum. Interior and exterior surfaces shall be thermally broken to minimize heat transfer and to resist condensation. The curb shall be formed with a 5-1/2" (140mm) flange with 7/16" (11mm) holes provided for securing to the roof deck. The curb shall be equipped with an integral metal capflashing of the same gauge and material as the curb, fully welded at the corners, that features the Bil-Clip[®] flashing system, including stamped tabs, 6" (153mm) on center, to be bent inward to hold single ply roofing membrane securely in place.
- E. Curb insulation: Shall be 3" (75mm) thick polyisocyanurate with an R-value = 20.3 (U=0.279 W/m²K).
- F. Lifting mechanisms: Manufacturer shall provide compression spring operators enclosed in telescopic tubes to provide, smooth, easy, and controlled cover operation throughout the entire arc of opening and closing. The upper tube shall be the outer tube to prevent accumulation of moisture, grit, and debris inside the lower tube assembly. The lower tube shall interlock with a flanged support shoe welded to the curb assembly.
- G. Hardware
1. Heavy stainless steel pintle hinges shall be provided
 2. Cover shall be equipped with a spring latch with interior and exterior turn handles
 3. Roof hatch shall be equipped with interior and exterior padlock hasps.
 4. The latch strike shall be a stamped component bolted to the curb assembly.

ROOF HATCHES
077233 - 2

For more information, contact Access Doors and Panels www.accessdoorsandpanels.com

Phone: 1-800-609-2917

Fax: 1-888-828-6021

Email: info@accessdoorsandpanels.com

5. Cover shall automatically lock in the open position with a rigid hold open arm equipped with a 1" (25mm) diameter red vinyl grip handle to permit easy release for closing.
6. Compression spring tubes shall be an anti-corrosive composite material and all other hardware shall be zinc plated and chromate sealed. [For installation in highly corrosive environments or when prolonged exposure to hot water or steam is anticipated, specify Type 316 stainless steel hardware].
7. Cover hardware shall be bolted into heavy gauge channel reinforcing welded to the underside of the cover and concealed within the insulation space.

H. Finishes: Factory finish shall be mill finish aluminum.

PART 3 - EXECUTION

3.1 EXAMINATION

- A. Examine substrates and openings for compliance with requirements for installation tolerances and other conditions affecting performance. Proceed with installation only after unsatisfactory conditions have been corrected.

3.2 INSTALLATION

- A. Install products in strict accordance with manufacturer's instructions and approved submittals. Locate units level, plumb, and in proper alignment with adjacent work.
 1. Test units for proper function and adjust until proper operation is achieved.
 2. Repair finishes damaged during installation.
 3. Restore finishes so no evidence remains of corrective work.

3.3 ADJUSTING AND CLEANING

- A. Clean exposed surfaces using methods acceptable to the manufacturer which will not damage finish.

END OF SECTION

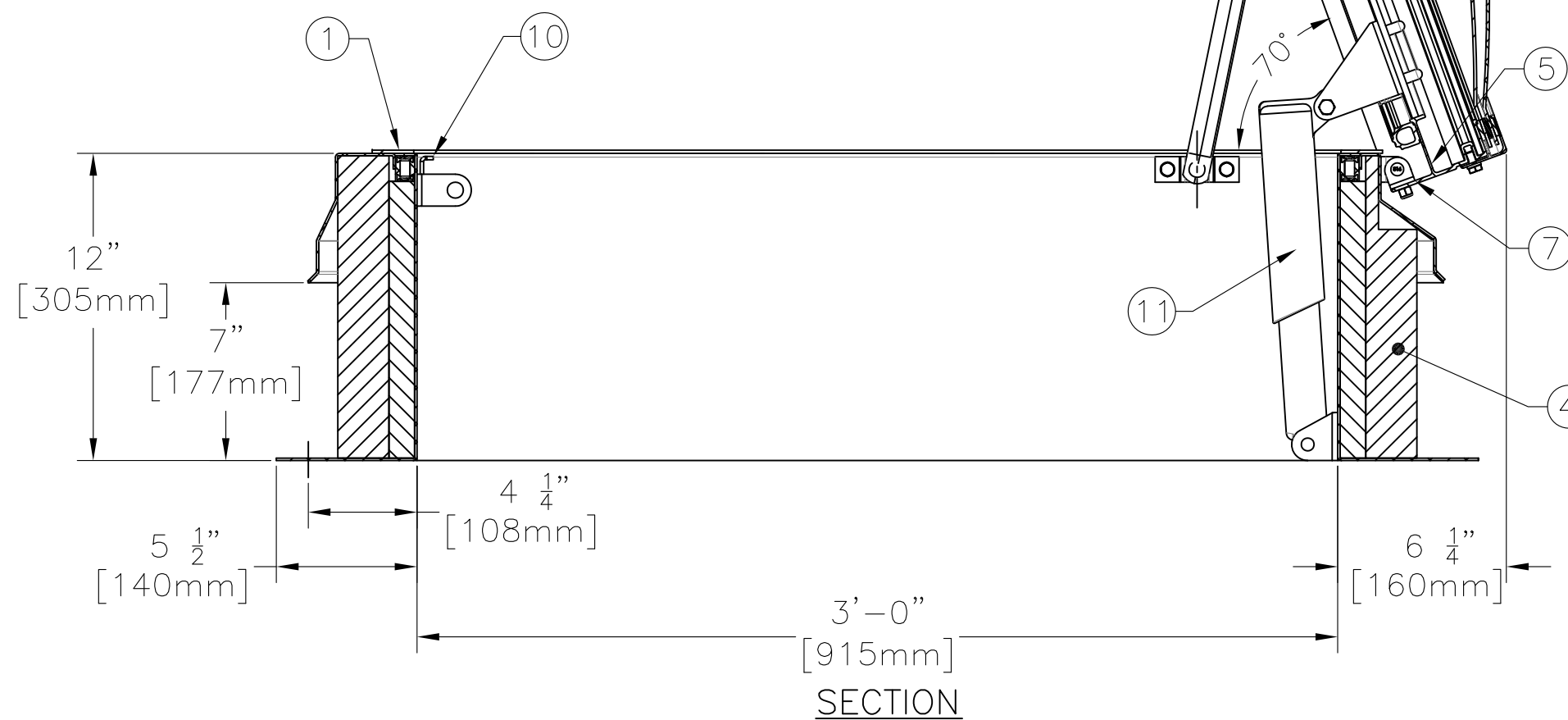
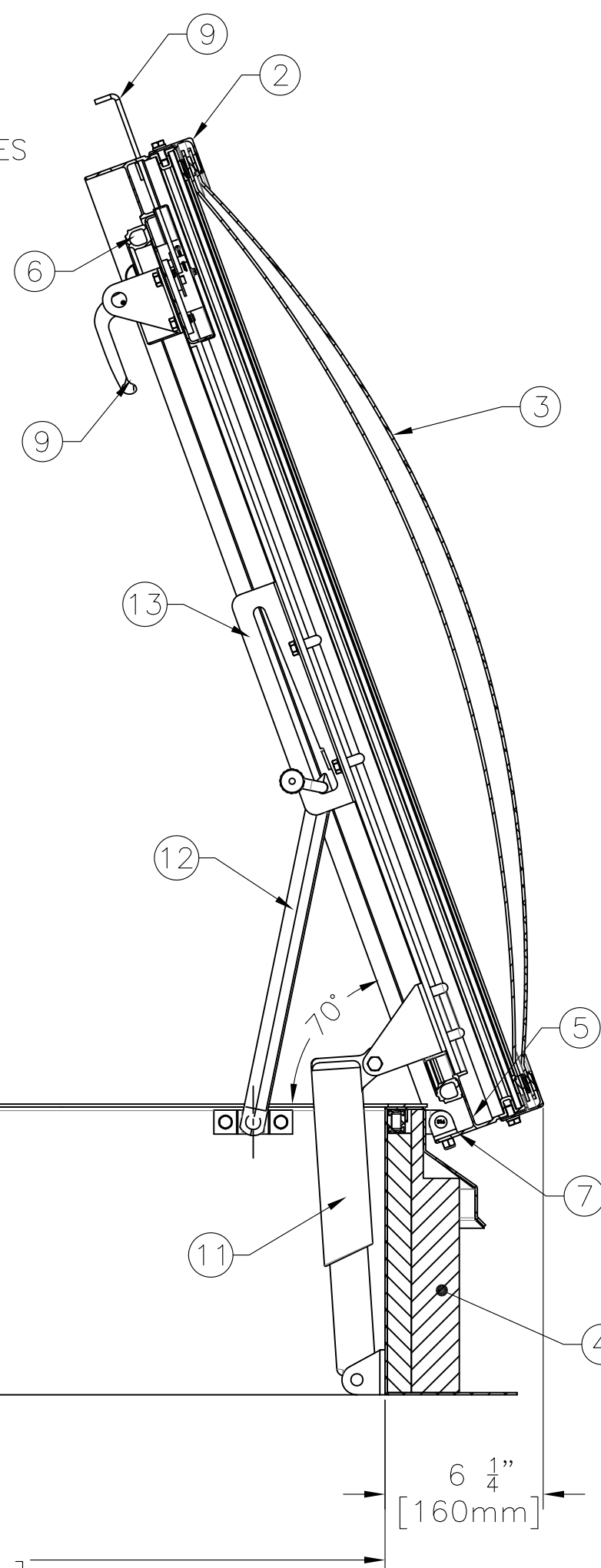
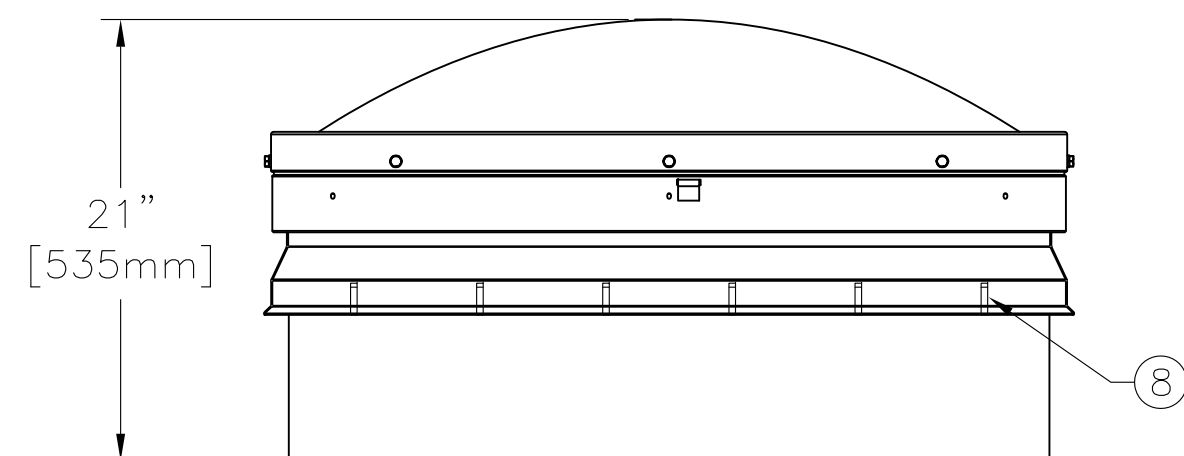
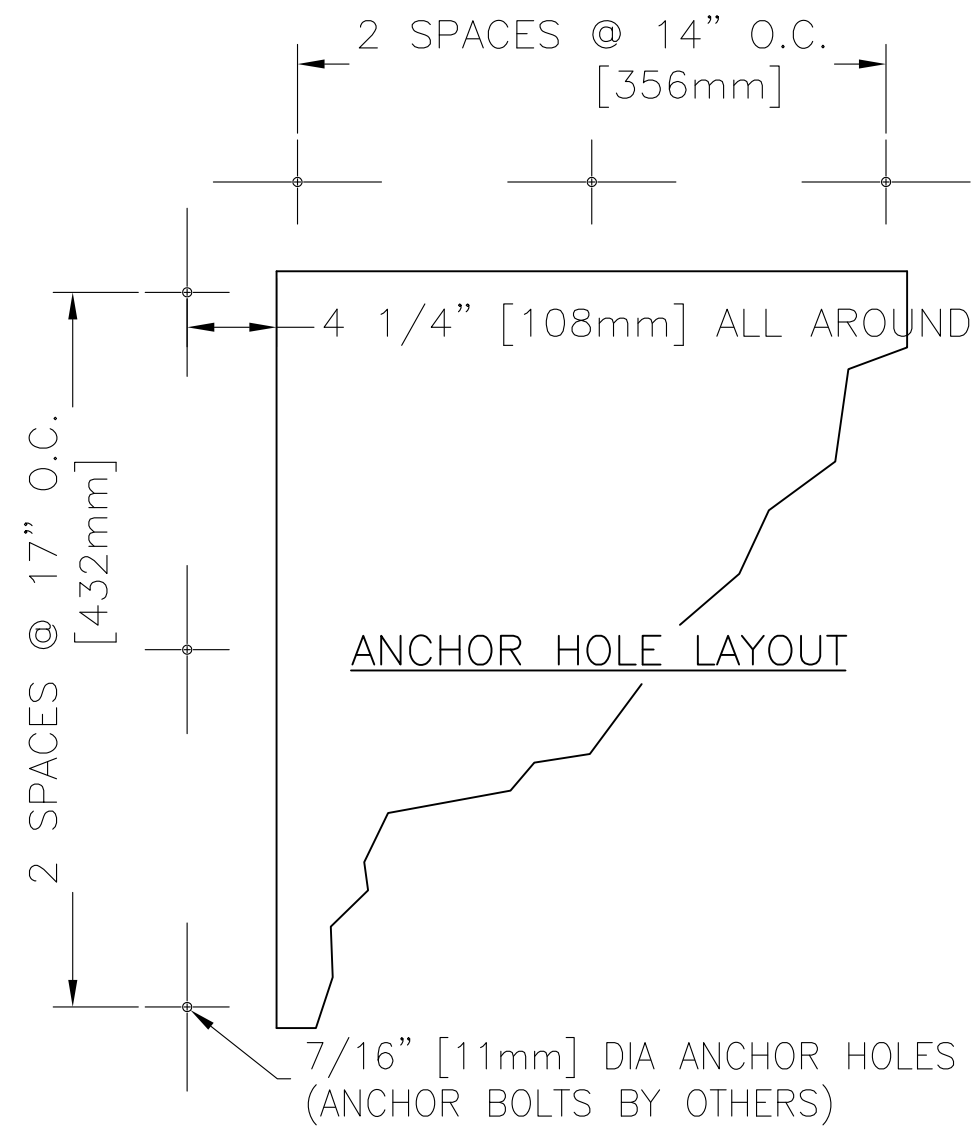
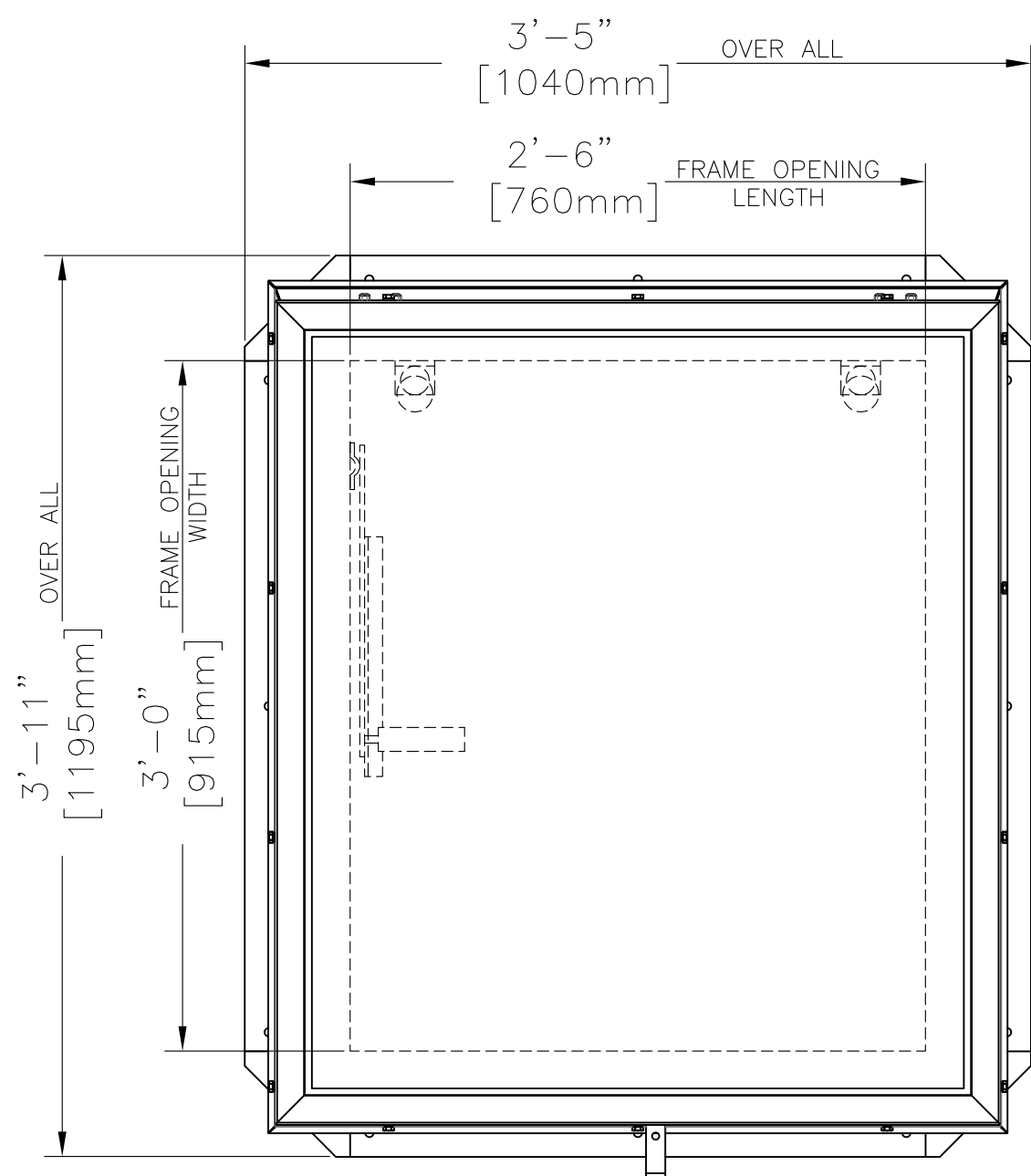
ROOF HATCHES
077233 - 3

For more information, contact Access Doors and Panels www.accessdoorsandpanels.com

Phone: 1-800-609-2917

Fax: 1-888-828-6021

Email: info@accessdoorsandpanels.com



SPECIFICATIONS

1. THERMALLY BROKEN CURB W/INTEGRAL CAPFLASHING 11 GA. ALUMINUM (CORNERS FULLY WELDED)
2. EXTRUDED ALUMINUM COVER FRAME
3. DOUBLE DOME W/ SEALANT ALL AROUND (CLEAR POLYCARBONATE OVER CLEAR POLYCARBONATE)
4. 3" [75mm] POLYISOCYANURATE CURB INSULATION
5. CONDENSATE CHANNEL W/ DRAINAGE TO EXTERIOR
6. EPDM GASKET (ALL AROUND COVER)
7. PINTLE HINGE - STAINLESS STEEL TYPE 316
8. Bilclip® FLASHING SYSTEM
9. SLAM LATCH WITH INSIDE AND OUTSIDE HANDLES W/ PADLOCK HASPS
10. LOCK STRIKE AND PADLOCK HASP
11. LIFTING MECHANISM WITH REINFORCED COMPOSITE TUBES AND COMPRESSION SPRINGS
12. AUTOMATIC HOLD OPEN ARM W/ RED VINYL GRIP AND COVER RELEASE
13. ARM GUIDE BRACKET

SHOP FINISH

ALUMINIUM: MILL FINISH
 HARDWARE: CORROSION RESISTANT (UNLESS OTHERWISE SPECIFIED)

NOTES:

1. THIS PRODUCT MAY BE INSTALLED ON EITHER A FLAT OR SLOPING ROOF. WHEN INSTALLED ON A SLOPE, THE HINGE SIDE MUST RUN PARALLEL WITH THE SLOPE. IF SLOPE EXCEEDS 30°, ADVISE FACTORY FOR MODIFICATION.
2. FULL SPECIFICATIONS ARE AVAILABLE ON WEBSITE: www.bilco.com

CUSTOMER

P.O. NO.

JOB

SALES REP.

Bilco® Manufacturers of Doors for Special Services
 THE BILCO COMPANY
 New Haven, Connecticut 06505

**SINGLE LEAF ROOF ACCESS HATCH
 TYPE GS-50TB**

QTY	TYPE	SIZE WIDTH x LENGTH
<input type="checkbox"/>	GS-50TB	3'-0" x 2'-6" 915mm x 760mm HINGE SIDE

WEB SITE: www.bilco.com

THIS DRAWING IS THE PROPERTY OF THE BILCO COMPANY AND INCORPORATES INFORMATION WHICH IS PROPRIETARY. PUBLICATION AND/OR PUBLIC DISTRIBUTION IN WHOLE OR IN PART IS EXPRESSLY PROHIBITED WITHOUT THE PRIOR WRITTEN CONSENT OF THE BILCO COMPANY. THE INFORMATION CONTAINED HEREIN REMAINS THE PROPERTY OF THE BILCO COMPANY. ALL RIGHTS RESERVED.