

Medium Security

ACCESS DOOR

The Medium Security Access Door is manufactured with heavy-duty materials to prevent unwanted access to critical building components. The optional masonry anchors can be specified allowing this panel to be installed in any wall condition.



DETAILS

DOOR 12 gauge Steel

FRAME 12 gauge Steel

SIZE

- Min: 8 inches by 8 inches
- Max: 36 inches by 48 inches

INSTALLATION Wall or Ceiling

FLANGE Exposed, Drywall Bead or Plaster Bead

HINGE Concealed Continuous Piano

FINISH White Powder Coat

ORDER GUIDE

BASE	FLANGE	LATCH	WIDTH	X	LENGTH	OPTIONS
BM				X		
	T 1 inch flange W Drywall bead P Plaster Bead	D Detention Lock Prep K Knurled latch/key operated latch bolt M Mortise lock (1-1/8") prep	Standard Sizes (W x L) 8" x 8" 18" x 18" 24" x 30" 10" x 10" 18" x 24" 24" x 36" 12" x 12" 20" x 30" 24" x 48" 12" x 18" 22" x 22" 30" x 30" 12" x 24" 22" x 30" 32" x 32" 14" x 14" 22" x 36" 36" x 36" 16" x 16" 24" x 24" 36" x 48"			B Galvannealed G Gasketing M Masonry Anchors N No Hinge S Type 304 Stainless Steel

Rough opening is door size + 3/8 inch minimum. Additional sizes available, call for more information.

High Security

ACCESS DOOR

The High Security Access Door provides secure access through walls and is manufactured with detention-grade materials. This panel is engineered with heavy-duty butt joint hinges on the face of the door to prevent unwanted access.



DETAILS

DOOR 10 gauge Steel

FRAME 3/16 inch Steel Angle - 2 inches by 2 inches

SIZE

- Min: 8 inches by 8 inches
- Max: 48 inches by 54 inches

INSTALLATION Wall or Ceiling

FLANGE Exposed

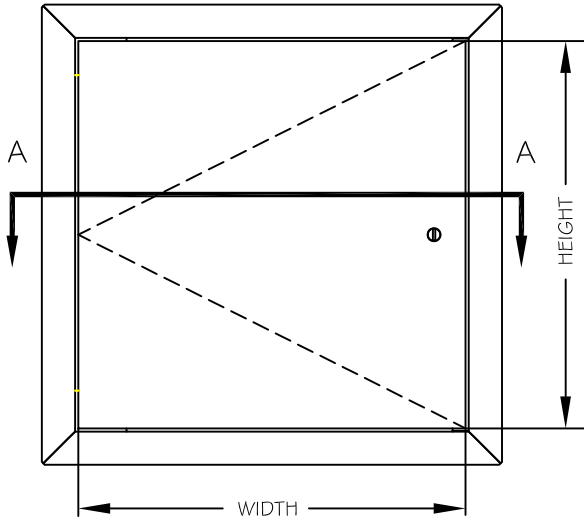
HINGE Surface Mounted Heavy-Duty Butt

FINISH White Powder Coat

ORDER GUIDE

BASE	LATCH	WIDTH	X	LENGTH	OPTIONS
BHS			X		
	D Detention Lock Prep M Mortise Lock (1-1/8") Prep S Security Screws	Standard Sizes (W x L) 12" x 12" 22" x 30" 24" x 40" 16" x 16" 24" x 24" 24" x 48" 18" x 18" 24" x 36"			S Type 304 Stainless Steel Z Continuous Concealed Hinge

*Rough opening is door size +3/4" minimum. Additional sizes available, call for more information.
Recommended for wall surfaces only.



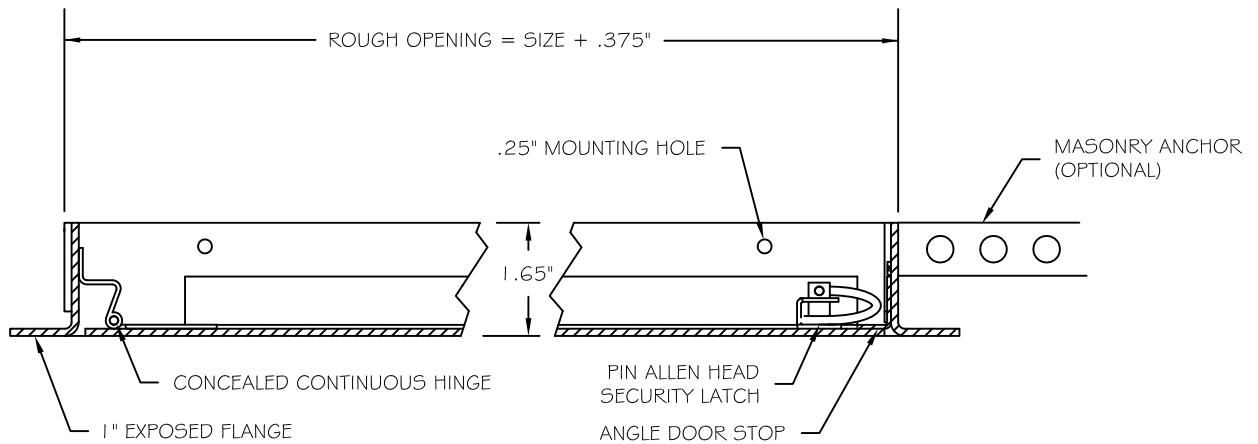
FRONT ELEVATION
NOT TO SCALE

SPECIFICATIONS

- 12 GAUGE COLD ROLLED STEEL FRAME
- 12 GAUGE COLD ROLLED STEEL DOOR
- WHITE BAKED ON POWDER COAT FINISH
- CONCEALED CONTINUOUS HINGE
- FRAMES ARE PROVIDED WITH .25" MOUNTING HOLES
- PINNED ALLEN HEAD SECURITY CAM LATCH (ADDITIONAL CAMS PROVIDED ON PANELS 18" X 18" AND GREATER IN SIZE)

OPTIONS

- GALVANIZED BONDERIZED STEEL
- DRIP CAP
- GASKET
- MASONRY ANCHORS
- STAINLESS STEEL WITH A #4 SATIN POLISH FINISH



CUT-THRU SECTION
NOT TO SCALE

Standard Features:

- Door: 12 gauge cold rolled steel
 - Frame: 12 gauge cold rolled steel with 1" Flange
 - Hinge: Concealed continuous hinge
 - Latch: Pinned allen head security cam latch(es)
 - Finish: White baked on powder coat
Optional: galvanized bonderized or stainless steel with #4 satin polish finish
-

Specifications:

Frame shall be 12 gauge cold rolled steel with 1" flange. Door shall be fabricated from 12 gauge cold rolled steel. Hinge shall be concealed continuous type. Latch(es) shall be pinned allen head security cam type. Finish shall be white baked on powder coat (optional: galvanized bonderized steel or stainless steel with #4 satin polish finish).

Installation shall be in accordance with manufacturers instructions. Manufacturer shall guarantee against defects in material and workmanship for a period of one year.

Standard Sizes:

Std Sizes (in)	Std Sizes (mm)	Weight/Latches	Std Sizes (in)	Std Sizes (mm)	Weight/Latches
06x06*	152x152	18/1	20x30	508x762	56/3
08x08	203x203	20/1	22x22	559x559	49/2
10x10	254x254	23/1	22x30	559x762	58/3
12x12	305x305	24/1	24x24	610x610	52/4
12x18	305x457	30/1	24x30	610x762	60/5
12x24	305x610	35/2	24x36	610x914	68/5
14x14	356x356	26/1	24x48	610x1219	94/5
16x16	406x406	32/1	30x30	762x762	70/5
16x20	406x508	36/2	32x32	813x813	76/5
18x18	457x457	36/2	36x36	914x914	95/6
18x24	457x610	48/2	36x48	914x1219	123/6

* Sizes specified have only cam style latching options.

All units are hinged on the second dimension (height). Rough opening is door size plus 1/4".