

Lightweight

ACCESS DOOR

Babcock-Davis' non-rated insulated Lightweight Access Door offers a solution to larger openings in ceiling applications. The door is available in pre-finished, embossed, galvanized steel and aluminum door skins.

DETAILS

DOOR 26 gauge Steel, Embossed

FRAME .045 inch 6063-T5 Extruded Aluminum

SIZE

- Min: 12 inches by 12 inches
- Max: 18 inches by 72 inches, 24 inches by 60 inches or 48 inches by 48 inches

INSTALLATION Ceiling or Wall

FLANGE Rolled 1-5/16 inches Wide

HINGE Aluminum Continuous Piano

FINISH

- Door Skin: Steel, White Embossed
- Frame: Aluminum, Clear Anodized

INSULATION 3/4 inch Polystyrene, R-3.8



ORDER GUIDE

BASE	LATCH	WIDTH	X	LENGTH	OPTIONS
BLW			X		
	L Key Operated Cam Lock	Standard Sizes (W x L)			A Aluminum Panel Insert
	T Screwdriver Cam Latch	12" x 12"	24" x 24"	30" x 36"	G Gasketing
		18" x 18"	24" x 36"	48" x 48"	
		22" x 30"	24" x 48"	60" x 48"	
		22" x 36"	30" x 30"	72" x 48"	

*Rough opening is door size + 1/4 inch minimum. Additional sizes available, call for more information.
Double door construction.

Plastic

ACCESS DOOR

The Plastic Access Door provides an economical alternative to traditional materials and is ideal for light-duty applications. The removable panel is easily installed - no fasteners required.

DETAILS

DOOR 1/8 inch High Impact Styrene, Removable

FRAME Reversible 3/4 inch Flange

SIZE

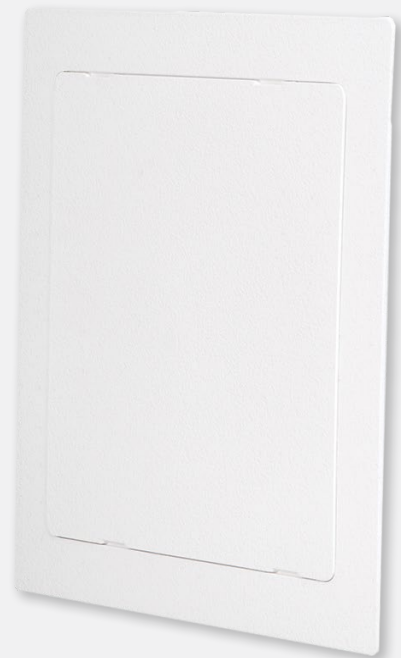
- Min: 4 inches by 6 inches
- Max: 22 inches by 22 inches

INSTALLATION Ceiling or Wall

FLANGE Exposed

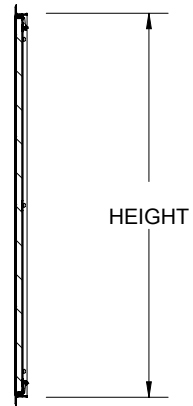
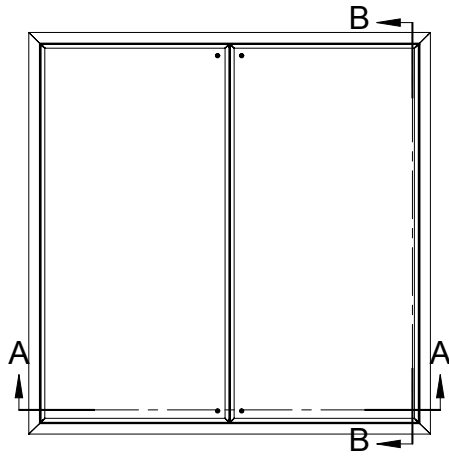
LATCH Snap Latch

FINISH White, Texturized

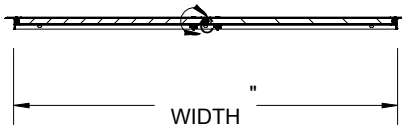


ORDER GUIDE

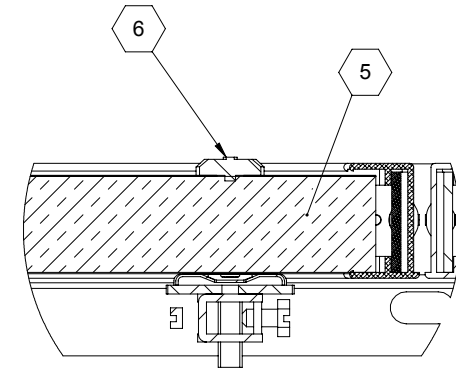
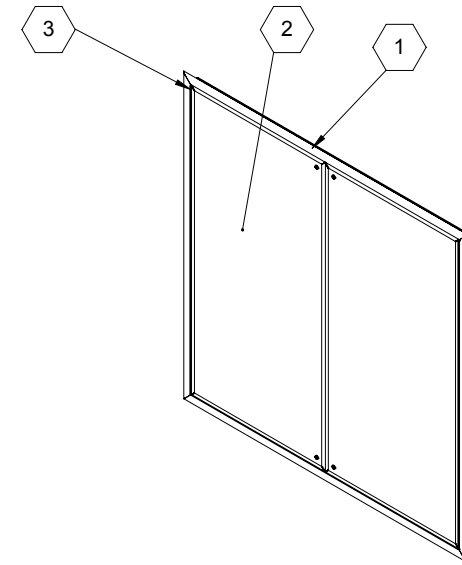
BASE	WIDTH	X	LENGTH
BPL		X	
	Standard Sizes (W x L)		
	4" x 6"	14" x 14"	
	6" x 9"	14 x 29	
	8" x 8"	22" x 22"	
	12" x 12"		



SECTION B-B



SECTION A-A



DETAIL C
SCALE 1 : 1.5

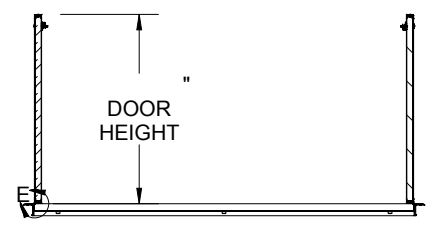
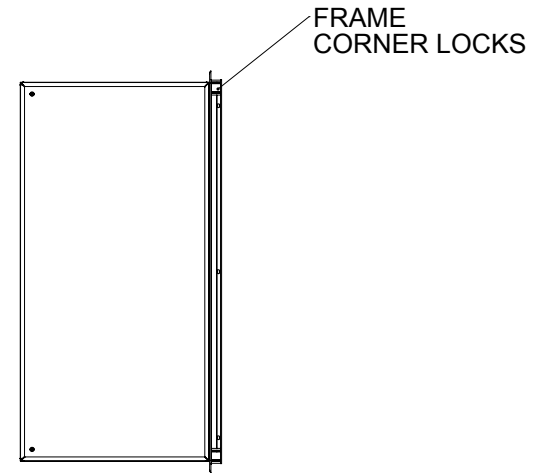
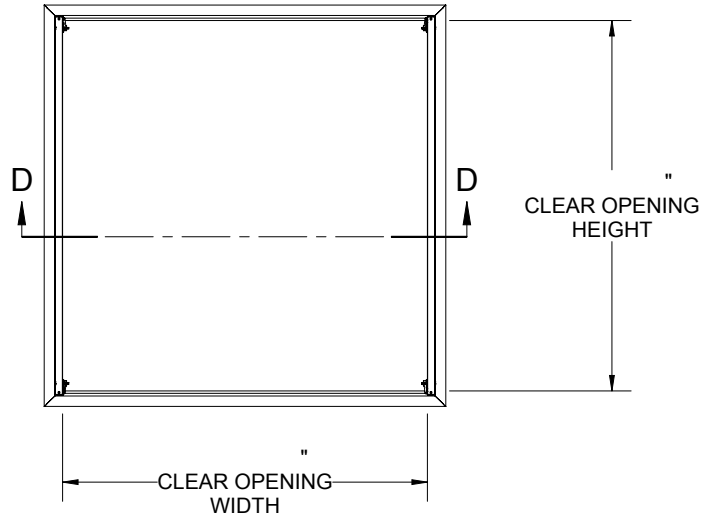
ROUGH OPENING: " X " "
CLEAR OPENING: " X " "
DEGREE IF OPENING: °

NOTES:

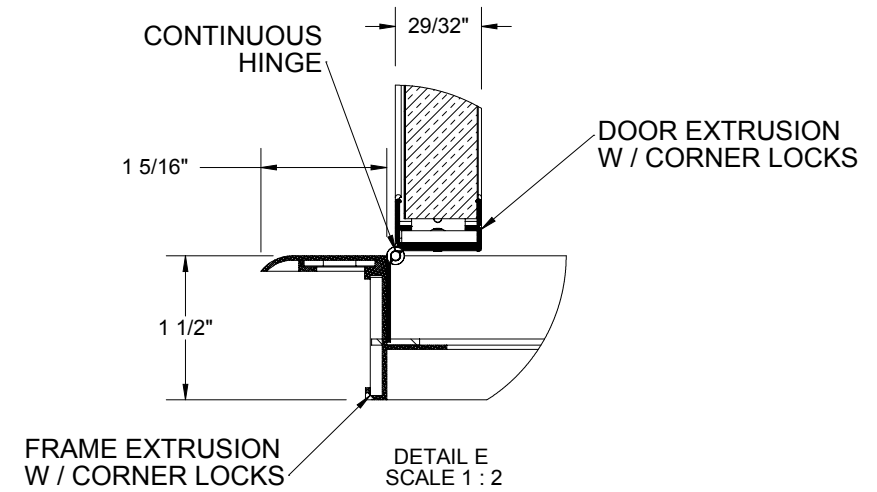
- ① **FRAME:** .080-6063-T5 Extruded Aluminum
- ② **DOOR:** FRAME: .045-6063-T5 Extruded Aluminum
 PANEL: 24 Ga Galv Steel
- ③ **HINGE:**
- ④ **FINISH:** FRAME: Clear Anodized
 PANEL: Pre-finished White Embossed
- ⑤ **INSULATION:** 3/4" Extruded Polystyrene, 3.8 R Value
- ⑥ **LATCH:** Screwdriver Cam

PROPRIETARY AND CONFIDENTIAL: THE INFORMATION CONTAINED IN THIS DRAWING IS THE SOLE PROPERTY OF BABCOCK-DAVIS. ANY REPRODUCTION IN PART OR AS A WHOLE WITHOUT THE WRITTEN PERMISSION OF BABCOCK-DAVIS IS PROHIBITED.

PROJECT:			
ARCHITECT:			
CONTRACTOR:			
QTY:			
PART#:			
 9300 73rd Avenue North Brooklyn Park, MN 55428		TITLE:	
NAME	DATE	SIZE	DWG. NO.
DRAWN		A	
RELEASED			
			REV -
			SHEET 1 OF 2



SECTION D-D



			TITLE:		
9300 73rd Avenue North Brooklyn Park, MN 55428					
NAME	DATE	SIZE	DWG. NO.	REV	
DRAWN		A		-	
RELEASED				SHEET 2 OF 2	

PROPRIETARY AND CONFIDENTIAL: THE INFORMATION CONTAINED IN THIS DRAWING IS THE SOLE PROPERTY OF BABCOCK-DAVIS. ANY REPRODUCTION IN PART OR AS A WHOLE WITHOUT THE WRITTEN PERMISSION OF BABCOCK-DAVIS IS PROHIBITED.