

Medium Security

ACCESS DOOR

The Medium Security Access Door is manufactured with heavy-duty materials to prevent unwanted access to critical building components. The optional masonry anchors can be specified allowing this panel to be installed in any wall condition.



DETAILS

DOOR 12 gauge Steel

FRAME 12 gauge Steel

SIZE

- Min: 8 inches by 8 inches
- Max: 36 inches by 48 inches

INSTALLATION Wall or Ceiling

FLANGE Exposed, Drywall Bead or Plaster Bead

HINGE Concealed Continuous Piano

FINISH White Powder Coat

ORDER GUIDE

BASE	FLANGE	LATCH	WIDTH	X	LENGTH	OPTIONS
BM				X		
	T 1 inch flange W Drywall bead P Plaster Bead	D Detention Lock Prep K Knurled latch/key operated latch bolt M Mortise lock (1-1/8") prep	Standard Sizes (W x L) 8" x 8" 18" x 18" 24" x 30" 10" x 10" 18" x 24" 24" x 36" 12" x 12" 20" x 30" 24" x 48" 12" x 18" 22" x 22" 30" x 30" 12" x 24" 22" x 30" 32" x 32" 14" x 14" 22" x 36" 36" x 36" 16" x 16" 24" x 24" 36" x 48"			B Galvannealed G Gasketing M Masonry Anchors N No Hinge S Type 304 Stainless Steel

Rough opening is door size + 3/8 inch minimum. Additional sizes available, call for more information.

High Security

ACCESS DOOR

The High Security Access Door provides secure access through walls and is manufactured with detention-grade materials. This panel is engineered with heavy-duty butt joint hinges on the face of the door to prevent unwanted access.



DETAILS

DOOR 10 gauge Steel

FRAME 3/16 inch Steel Angle - 2 inches by 2 inches

SIZE

- Min: 8 inches by 8 inches
- Max: 48 inches by 54 inches

INSTALLATION Wall or Ceiling

FLANGE Exposed

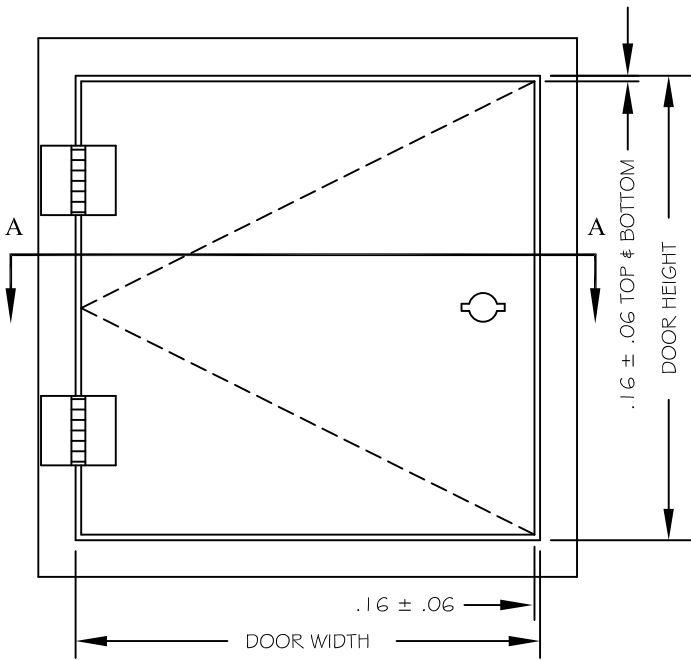
HINGE Surface Mounted Heavy-Duty Butt

FINISH White Powder Coat

ORDER GUIDE

BASE	LATCH	WIDTH	X	LENGTH	OPTIONS
BHS			X		
	D Detention Lock Prep M Mortise Lock (1-1/8") Prep S Security Screws	Standard Sizes (W x L) 12" x 12" 22" x 30" 24" x 40" 16" x 16" 24" x 24" 24" x 48" 18" x 18" 24" x 36"			S Type 304 Stainless Steel Z Continuous Concealed Hinge

*Rough opening is door size +3/4" minimum. Additional sizes available, call for more information.
Recommended for wall surfaces only.



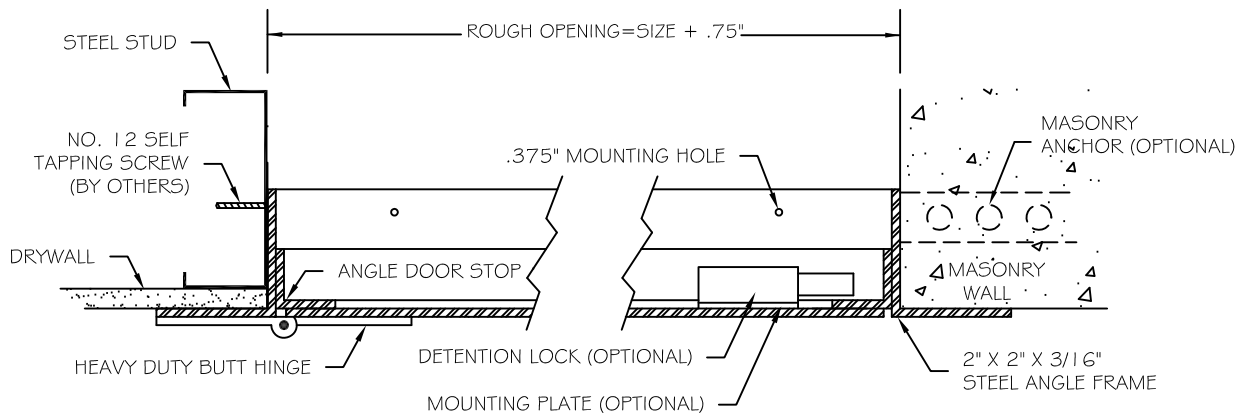
FRONT ELEVATION
NOT TO SCALE

SPECIFICATIONS

- 2" X 2" X 3/16" STEEL ANGLE FRAME
- 1" X 1" X 1/8" STEEL ANGLE DOOR STOP
- 10 GAUGE STEEL PLATE DOOR
- ALL EXPOSED JOINTS WELDED, FILLED AND GROUND SMOOTH
- WHITE BAKED ON POWDER COAT FINISH
- 4" X 4" BUTT HINGE WELDED TO DOOR AND FRAME
- PINNED ALLEN HEAD SECURITY SCREWS (STANDARD ON PANELS 24 X 24 AND LARGER)
- PREPARED TO MOUNT STANDARD DETENTION LOCK USING 5/16 - 18 X 1.75: FLAT HD PINNED TORX SECURITY SCREWS (SCREWS PROVIDED WHEN FACTORY FURNISHES LOCK)

OPTIONS

- PREPARATION FOR 1.125" MORTISE CYLINDER (CYLINDER PROVIDED BY OTHERS OR BY FACTORY)
- PREPARATION FOR HEAVY DUTY DETENTION DEAD BOLT LOCK (LOCK PROVIDED BY OTHERS OR BY FACTORY)
- MASONRY ANCHORS ATTACHED



A
A
CUT-THRU SECTION
NOT TO SCALE

HIGH SECURITY ACCESS PANEL FOR ALL-PURPOSE APPLICATIONS

Standard Features:

Door:	10 gauge (3.43 mm thick) cold rolled steel
Frame:	2" x 2" x 3/16" (50.8mm x 50.8mm x 4.76mm) steel angle
Hinge:	Heavy duty butt hinges Optional: concealed piano hinge
Latch:	Pinned allen head security screw(s) Optional: mortise cylinder preparation (cylinder provided by factory or others) or heavy duty detention lock preparation (deadbolt lock provided by Factory or others)
Finish:	Gray baked on powder coat

Specifications:

Frame shall be 2" x 2" x 3/16" (50.8mm x 50.8mm x 4.76mm) steel angle. Door shall be fabricated from 10 gauge (3.43 mm thick) cold rolled steel. Hinges shall be heavy duty butt type hinges (optional: concealed piano type). Latch(es) shall be a pinned allen head security screw(s) (optional: prepared to receive 1-1/8" mortise cylinder – cylinder provided by Factory or others; or detention preparation to receive heavy duty deadbolt lock – deadbolt lock provided by factory or others). Finish shall be gray baked on powder coat.

Installation shall be in accordance with manufacturer's instructions. Manufacturer shall guarantee against defects in material and workmanship for a period of one year.

Standard Sizes:

Std sizes (in)	Std Sizes (mm)	Weight/Latches
12x12	305x305 35/1	
16x16	406x406 44/1	
18x18	457x457 49/1	
22x30	559x762 69/2	
24x24	610x610 65/2	
24x36	610x914 80/3	
24x40	610x1016 120/4	
24x48	610x1219 125/4	
36x36	914x914 130/5	

All units are hinged on the second dimension (height). Rough opening is door size plus 3/4".