

Fire-Rated Security

ACCESS DOOR

The insulated Fire-Rated Security Access Door is constructed of heavy-duty materials to prevent unwanted access through openings in fire-rated walls.

FEATURES

FIRE-RATED Independent third-party tested and UL listed and labeled for 1-1/2 hour fire rating.

SELF-CLOSING This door is designed with a spring for secure self-closing wall applications.

CUSTOM SIZES Custom sizes are available from 6 inches by 6 inches to 24 inches by 72 inches or 48 inches by 48 inches.



DETAILS

DOOR

- Outer Door: 14 gauge Steel
- Inner Door: 20 gauge Steel

FRAME 16 gauge Steel

SIZE

- Min: 8 inches by 12 inches
- BST Max: 24 inches by 72 inches or 48 inches by 48 inches
- BSW/BSP Max: 36 inches by 48 inches

INSTALLATION Wall

FLANGE Exposed, Drywall Bead or Plaster Bead

HINGE

- BST: Flush Continuous Piano
- BSW/BSP: Concealed Pin

FINISH White Powder Coat

INSULATION 2 inch thick Fire-Rated Mineral Wool

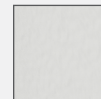
CERTIFICATION UL listed "B" label for 1-1/2 hours

ORDER GUIDE

BASE	FLANGE	LATCH	WIDTH	X	LENGTH	OPTIONS
BS				X		
	T 1 inch Flange W Drywall Bead P Plaster Bead	D Detention Lock Prep K Knurled Latch/Key Operated Latch Bolt M Mortise Lock (1-1/8") Prep	Standard Sizes (W x L) 12" x 12" 22" x 30" 24" x 40" 16" x 16" 24" x 24" 24" x 48" 18" x 18" 24" x 36"			B Galvannealed G Gasketing M Masonry Anchors S Type 304 Stainless Steel

Rough opening is door size + 1/4 inch minimum. Additional sizes available, call for more information.

MATERIALS

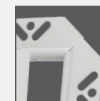


White Powder Coat

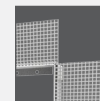
FLANGES



1 inch Flange



Drywall Bead

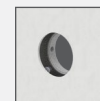


Plaster Bead

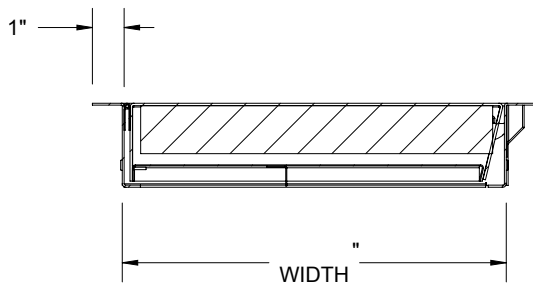
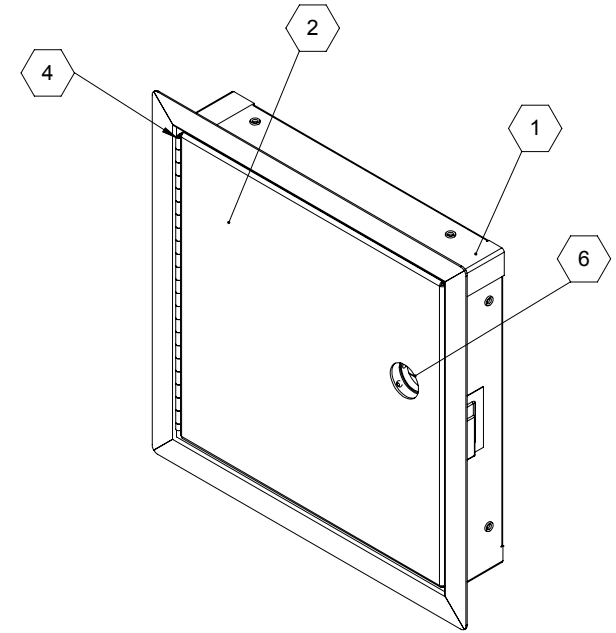
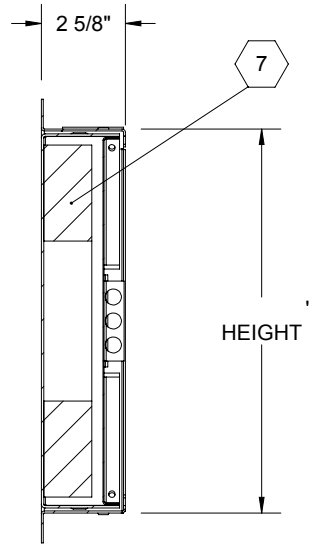
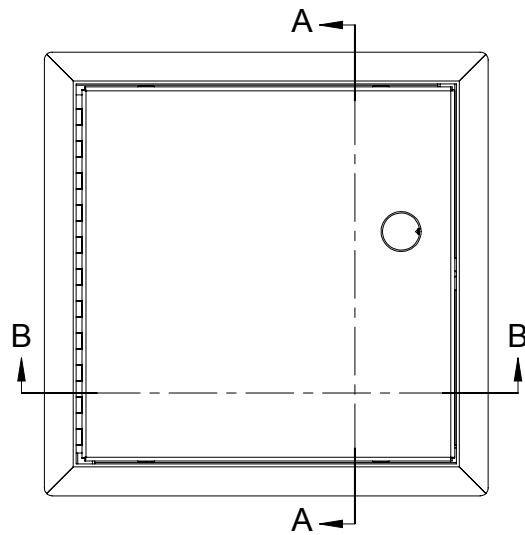
LATCHES



Knurled Knob



Mortise Lock Prep



SECTION A-A

SECTION B-B

ROUGH OPENING: " X " "
 CLEAR OPENING: " X " "
 DEGREE OF OPENING: ° X " "

VERTICAL
 1-1/2 HOUR "B" LABEL



NOTES:

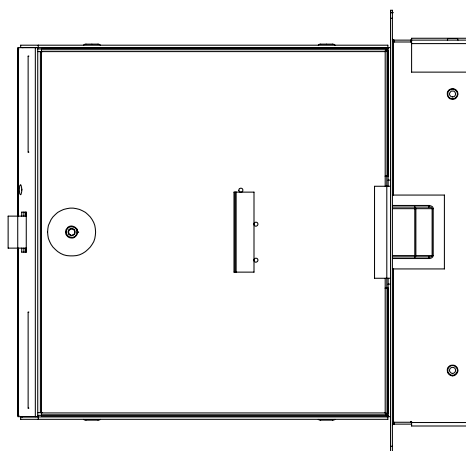
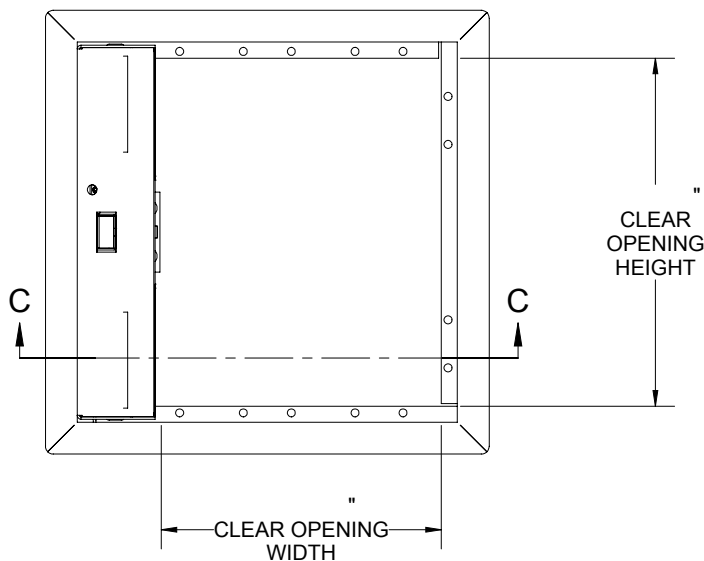
- ① FRAME:
- ② DOOR:
- ③ FINISH:
- ④ HINGE:
- ⑤ SECONDARY LATCH:
- ⑥ LOCK: Mortise Prep
- ⑦ INSULATION: 2" Thick Fire Rated Mineral Wool, 8 R-Value

PROPRIETARY AND CONFIDENTIAL: THE INFORMATION CONTAINED IN THIS DRAWING IS THE SOLE PROPERTY OF BABCOCK-DAVIS. ANY REPRODUCTION IN PART OR AS A WHOLE WITHOUT THE WRITTEN PERMISSION OF BABCOCK-DAVIS IS PROHIBITED.

PROJECT:			
ARCHITECT:			
CONTRACTOR:			
QTY:			
PART#:			
 9300 73rd Avenue North Brooklyn Park, MN 55428		TITLE:	
NAME	DATE	SIZE	DWG. NO.
RELEASED		A	
			REV -
			SHEET 1 OF 2

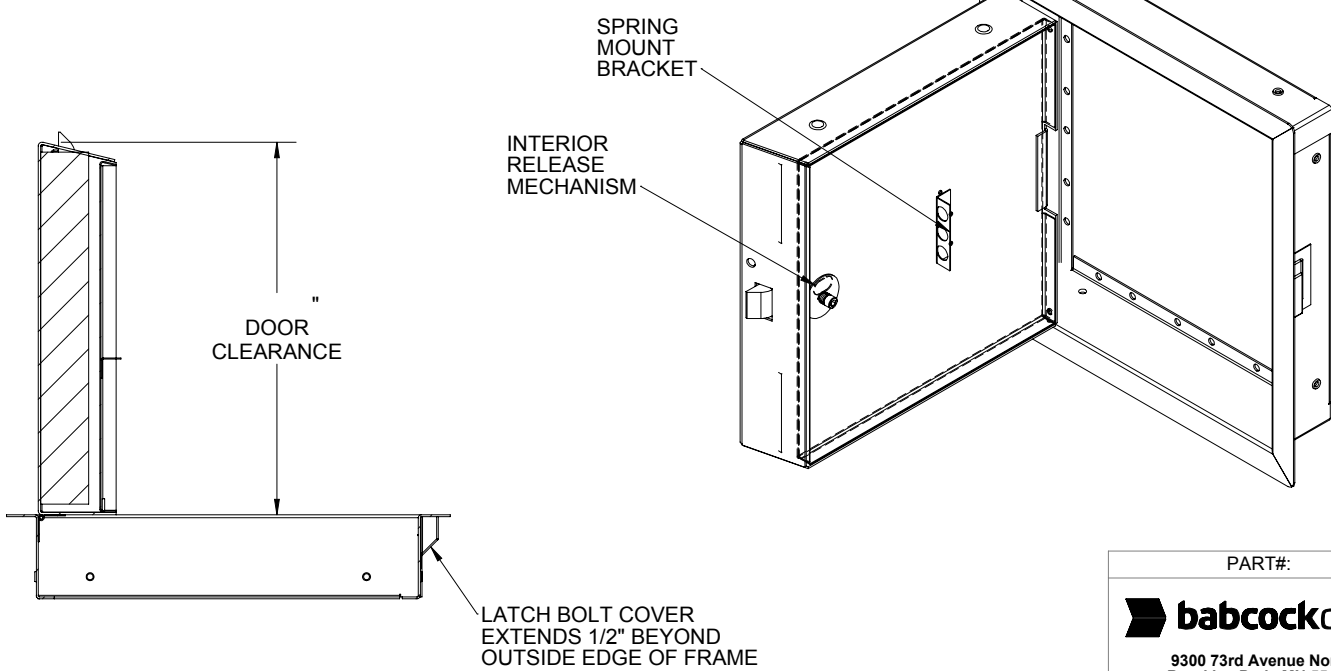
B

B



A

A



DOOR CLEARANCE

LATCH BOLT COVER EXTENDS 1/2" BEYOND OUTSIDE EDGE OF FRAME

PART#:			TITLE:		
9300 73rd Avenue North Brooklyn Park, MN 55428					
NAME	DATE	SIZE	DWG. NO.	REV	
DRAWN		A		-	
RELEASED				SHEET 2 OF 2	

PROPRIETARY AND CONFIDENTIAL: THE INFORMATION CONTAINED IN THIS DRAWING IS THE SOLE PROPERTY OF BABCOCK-DAVIS. ANY REPRODUCTION IN PART OR AS A WHOLE WITHOUT THE WRITTEN PERMISSION OF BABCOCK-DAVIS IS PROHIBITED.