

Top Security

ACCESS DOOR

Babcock-Davis' Top Security Access Door is manufactured with detention-grade materials and provides access through openings in walls. The pan style access door includes a heavy-duty butt hinge welded on the surface of the door to prevent unwanted access.

DETAILS

DOOR 7 gauge Steel

FRAME 3/16 inch Steel Angle - 2 inches by 3 inches

SIZE

- Min: 8 inches by 8 inches
- Max: 48 inches by 54 inches

INSTALLATION Wall

FLANGE Exposed

HINGE Surface Mounted Heavy-Duty Butt

PAN DEPTH 1-1/4 inch

FINISH White Powder Coat



ORDER GUIDE

BASE	LATCH	WIDTH	X	LENGTH	OPTIONS
BTS			X		
	D Detention Lock Prep	Standard Sizes (W x L)			G Gasketing
		12" x 12"	22" x 30"	24" x 40"	M Masonry Anchors
	M Mortise Lock (1-1/8") Prep	16" x 16"	24" x 24"	24" x 48"	S Type 304 Stainless Steel
	S Security Screws	18" x 18"	24" x 36"		

*Rough opening is door size + 3/4 inch minimum.
Additional sizes available, call for more information.
Recommended for Wall surfaces only.

Draft Stop

ACCESS DOOR

Babcock-Davis' Draft Stop Door is a non-rated access door designed to provide access through wall openings in the attics where draft stop conditions are needed. This self-closing and self-latching access door allows for access from both sides of the door.

DETAILS

DOOR 14 gauge Steel (self-closing)

FRAME 16 gauge Steel

SIZE

- Min: 6 inches by 6 inches
- BDT Max: 24 inches by 72 inches, 36 inches by 60 inches or 48 inches by 48 inches
- BDW Max: 36 inches by 48 inches

INSTALLATION Wall

FLANGE Exposed or Drywall Bead

HINGE

- BDT: Flush Continuous Piano
- BDW/BDP: Concealed Pin

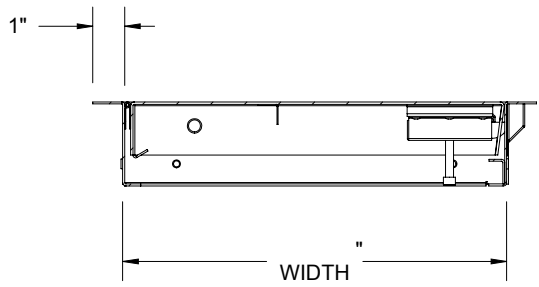
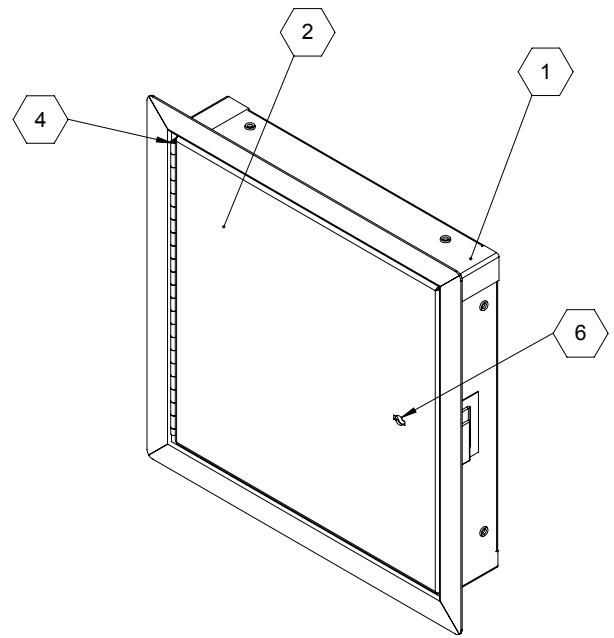
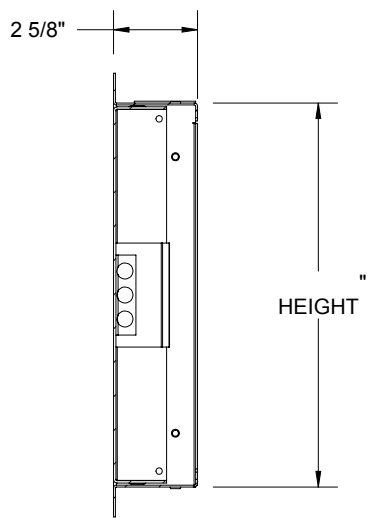
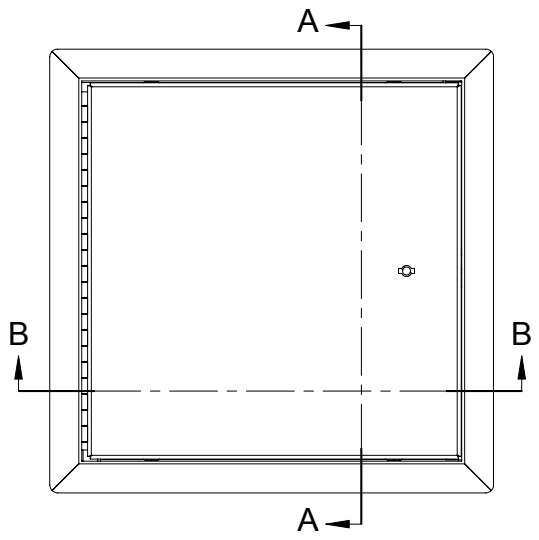
FINISH White Powder Coat



ORDER GUIDE

BASE	FLANGE	LATCH	WIDTH	X	LENGTH	OPTIONS
BD				X		
	T 1 inch Flange	D Detention Prep	Standard Sizes (W x L)			B Galvanized
	W Drywall Bead	K Knurled Knob/Key Operated Latch Bolt	12" x 12"	22" x 30"	24" x 40"	G Gasketing
	P Plaster Bead	M Mortise Lock (1-1/8") Prep	16" x 16"	24" x 24"	24" x 48"	S Type 304 Stainless Steel
			18" x 18"	24" x 36"		

*Rough opening is door size +1/4 inch minimum. Additional sizes available, call for more information.
Recommended for Wall surfaces only.



SECTION A-A

SECTION B-B

ROUGH OPENING: " X " "
 CLEAR OPENING: " X " "
 DEGREE OF OPENING: ° X " "

NOTES:

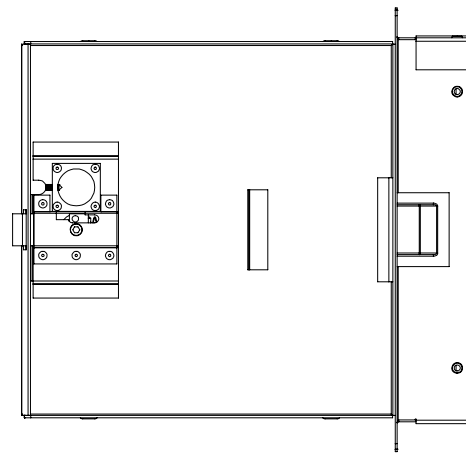
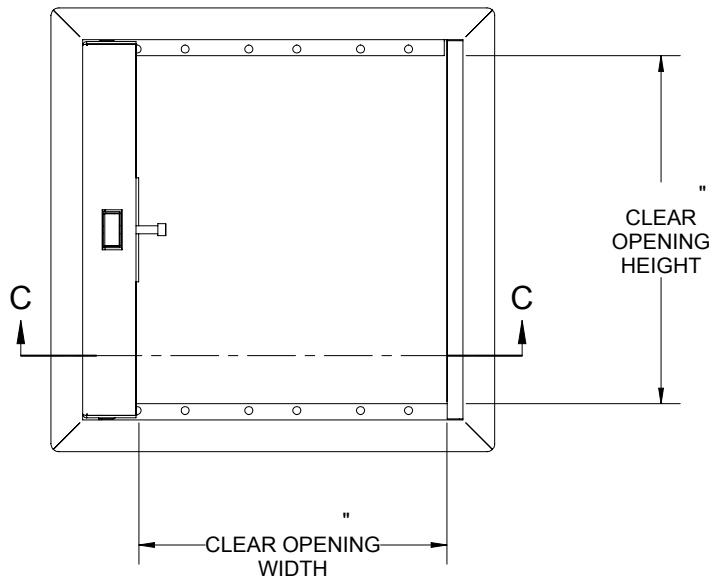
- ① FRAME:
- ② DOOR:
- 3 FINISH:
- ④ HINGE:
- 5 SECONDARY LATCH:
- ⑥ LOCK: Knurled Knob/Keyed Slam Latch

PROPRIETARY AND CONFIDENTIAL: THE INFORMATION CONTAINED IN THIS DRAWING IS THE SOLE PROPERTY OF BABCOCK-DAVIS. ANY REPRODUCTION IN PART OR AS A WHOLE WITHOUT THE WRITTEN PERMISSION OF BABCOCK-DAVIS IS PROHIBITED.

PROJECT:				
ARCHITECT:				
CONTRACTOR:				
QTY:				
PART#:				
TITLE:				
 9300 73rd Avenue North Brooklyn Park, MN 55428				
		NAME DATE SIZE DWG. NO. REV		
DRAWN		A		-
RELEASED			WEIGHT: VARIES	SHEET 1 OF 2

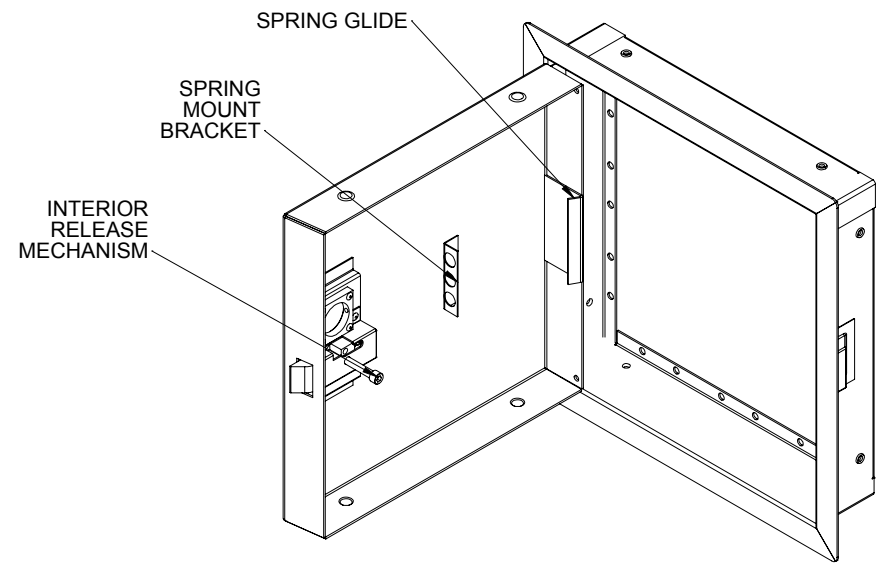
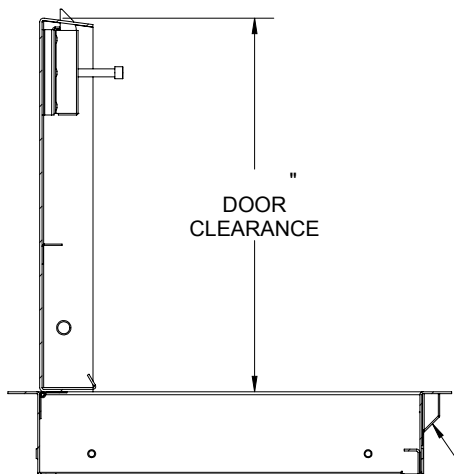
B

B



A

A



LATCH BOLT COVER
EXTENDS 1/2" BEYOND
OUTSIDE EDGE OF FRAME

PART#:		TITLE:		
9300 73rd Avenue North Brooklyn Park, MN 55428				
NAME	DATE	SIZE	DWG. NO.	REV
DRAWN		A		-
RELEASED		WEIGHT: VARIES		SHEET 2 OF 2

PROPRIETARY AND CONFIDENTIAL: THE INFORMATION CONTAINED IN THIS DRAWING IS THE SOLE PROPERTY OF BABCOCK-DAVIS. ANY REPRODUCTION IN PART OR AS A WHOLE WITHOUT THE WRITTEN PERMISSION OF BABCOCK-DAVIS IS PROHIBITED.