

Coastal Zone

EXTERIOR ACCESS DOOR

Babcock-Davis' Coastal Zone Exterior Access Door is the industry's only high velocity and impact tested door. With a design pressure of +/- 80psf, this door is sure to withstand mother nature's toughest storms.

FEATURES

IMPACT, AIR + WIND PRESSURE TESTED Independent lab tested to TAS 201, 202 and 203 assures the best protection against the harshest elements.

TEMPERATURE CONTROL With 1.6 inches of closed cell polyurethane insulation, the Babcock-Davis Coastal Zone Exterior Door delivers a R-11 thermal value.

CUSTOM SIZES Available in 1/4 inch increments from 18 inches by 18 inches to 36 inches by 48 inches maximum.



DETAILS

DOOR 24 gauge Steel

FRAME 0.080 inch 6063-T5 Extruded Aluminum

SIZE

- Min: 18 inches by 18 inches
- Max: 36 inches by 48 inches

INSTALLATION Wall

FLANGE Exposed

HINGE Stainless Steel Continuous Piano

FINISH

- Door: Paint Grip Finish
- Frame: Mill

INSULATION 1.6 inch Polyurethane; R-11

GASKETING EPDM Self-Adhesive, Continuous

COMPLIANCE Tested to Miami-Dade County performance requirements; Florida Product Approval FL22309-R1

FLANGES



1 inch Flange

LATCHES



Locking Handle

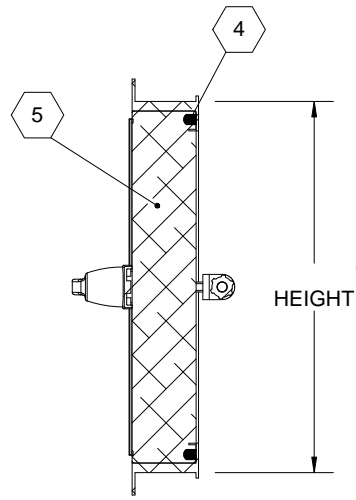
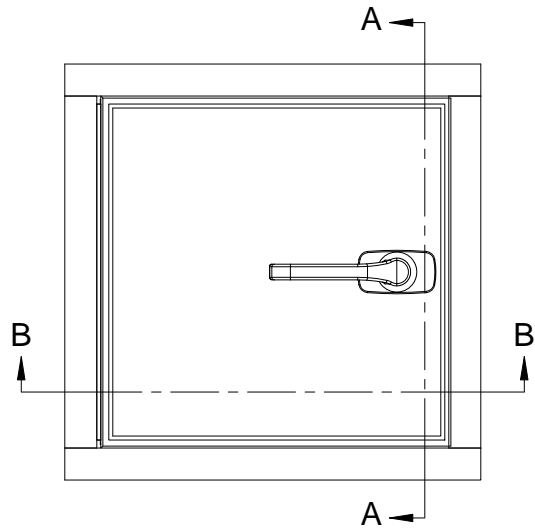


Non-Locking Handle

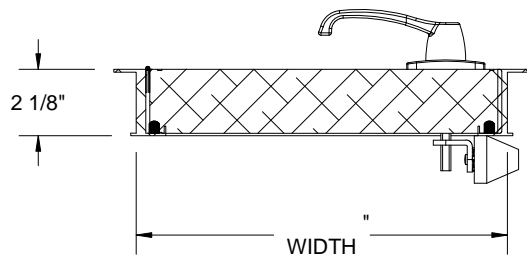
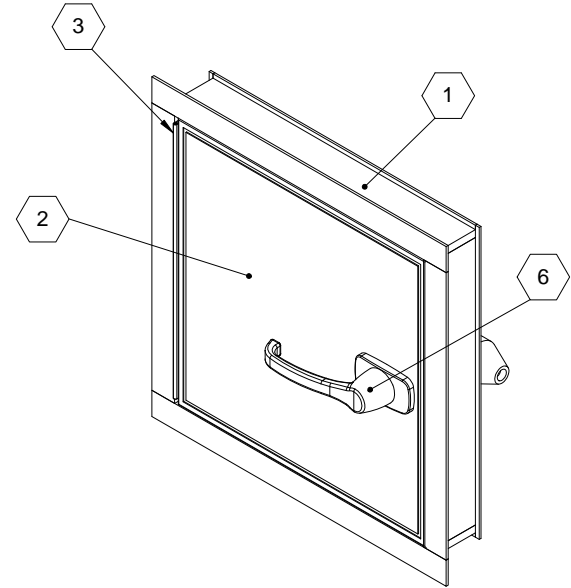
ORDER GUIDE

BASE	LATCH	WIDTH	X	LENGTH	OPTIONS
BXT			X		-H
	A Non-Locking Handle	Standard Sizes (W x L)			C Drip cap
	L Locking Handle	18" x 18"		24" x 30"	S Type 304 Stainless Steel Door
		20" x 30"		24" x 36"	
		24" x 24"		36" x 36"	

Rough opening is door size. Additional sizes available, call for more information.



SECTION A-A



SECTION B-B

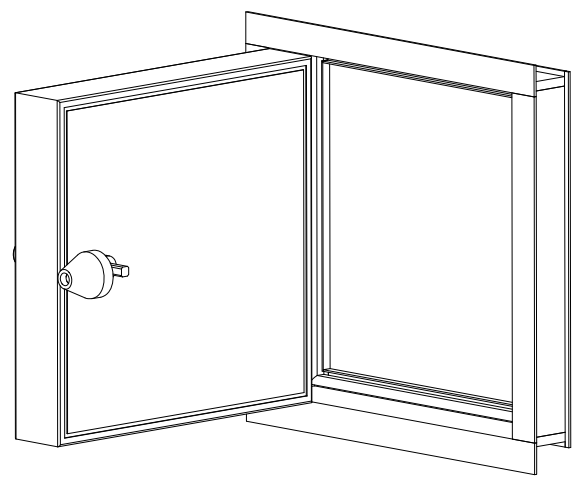
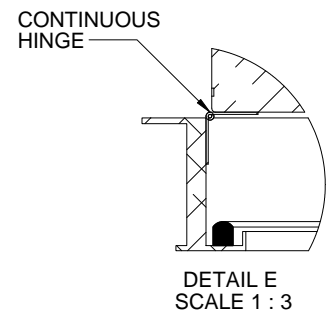
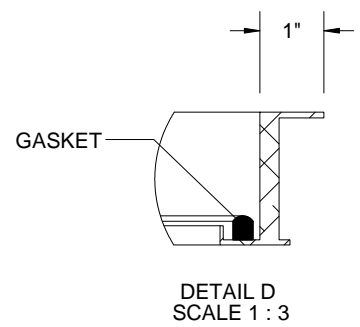
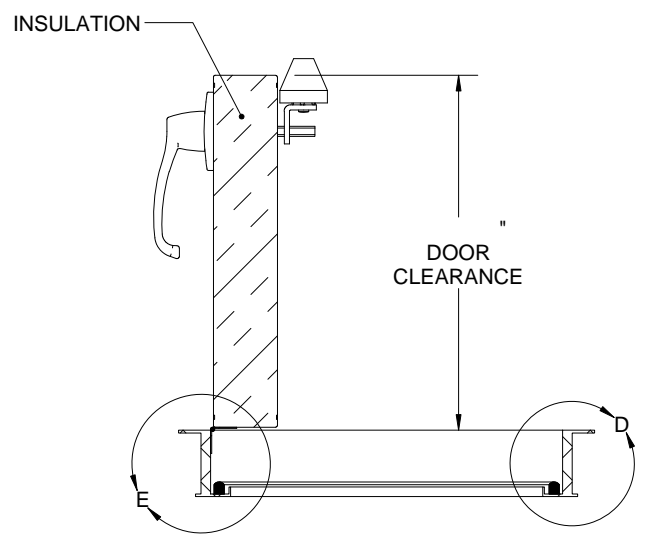
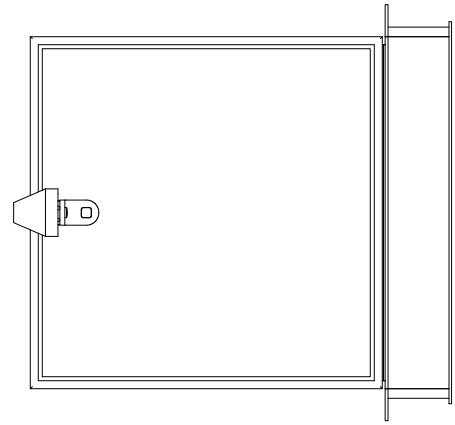
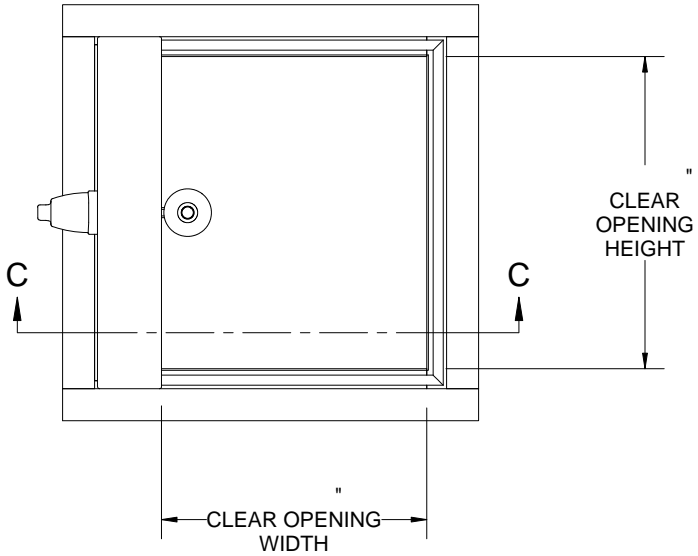
ROUGH OPENING: " X "
 CLEAR OPENING: " X "
 DEGREE OF OPENING:
 # LATCHING POINTS:

NOTES:

- ① **FRAME:** 6063-T5 Ext Aluminum, Mill Finish
- ② **DOOR:**
- ③ **HINGE:**
- ④ **GASKET:** EPDM Self-Adhesive, Continuous Four Sides
- ⑤ **INSULATION:** Foam Insulation, 2-1/4lb Density, 12 R-Value
- ⑥ **LATCH:** Non-Locking Handle
- ⑦ **LOCK:** No Lock

**FLORIDA PRODUCT APPROVAL
 NUMBER FL22309**

PROJECT:			
ARCHITECT:			
CONTRACTOR:			
QTY:			
PART#:			
 9300 73rd Avenue North, Brooklyn Park, MN 55428		TITLE:	
NAME	DATE	SIZE	DWG. NO.
DRAWN		A	
RELEASED		WEIGHT: 5.8	SHEET 1 OF 2



PART#:			TITLE:		
9300 73rd Avenue North, Brooklyn Park, MN 55428					
NAME	DATE	SIZE	DWG. NO.	REV	
DRAWN		A		A	
RELEASED			WEIGHT: 5.8	SHEET 2 OF 2	