

Architectural

ACCESS DOOR

The Babcock-Davis Architectural Access Door is built with the architect in mind. Constructed with an industry-standard steel door, the updated design further improves on strength and aesthetics.

FEATURES

ANTI-FLEX FRAME Screws are inserted through our patent-pending Easy Install Tabs, firmly fitting the door to the wall without flexing the frame.

PAINLESS INSTALLATION When mounting screws are not required, quickly and easily install your new panel by bending our patent-pending Easy Install Tabs over the drywall.

OPTIONAL STAINLESS STEEL The spot free design on the face of the door gives an aesthetically pleasing appearance.



DETAILS

DOOR

- BNT/BNW: 16 gauge Steel
- BNP: 14 gauge Steel
- 16 gauge Type 304 Stainless Steel

FRAME

- 16 gauge Steel
- 16 gauge Type 304 Stainless Steel

SIZE

- Min: 6 inches by 6 inches
- Max: 24 inches by 72 inches or 48 inches by 48 inches

INSTALLATION Ceiling or Wall

FLANGE 1 inch Exposed, Drywall Bead or Plaster Bead

HINGE Concealed Spring Button

PAN DEPTH 1/2 inch

FINISH White Powder Coat (Steel) or #4 Satin (Stainless Steel)

ORDER GUIDE

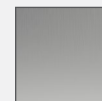
BASE	FLANGE	LATCH	WIDTH	X	LENGTH	OPTIONS
BN				X		
	T 1 inch Flange W Drywall Bead P Plaster Bead	C Screwdriver Cam Latch L Key operated Cam Lock M Mortise Lock (1-1/8") Prep N Knurled Knob	Standard Sizes (W x L) 6" x 6" 16" x 20" 24" x 36" 8" x 8" 18" x 18" 24" x 48" 10" x 10" 18" x 24" 30" x 30" 12" x 12" 20" x 30" 30" x 36" 12" x 18" 22" x 22" 32" x 32" 12" x 24" 22" x 30" 36" x 36" 14" x 14" 24" x 24" 16" x 16" 24" x 30"		B Galvannealed D14 14 gauge Steel Door G Gasketing L Louvered Door M Masonry Anchors S Type 304 Stainless Steel	

Rough opening is door size + 1/4 inch minimum. Additional sizes available, call for more information.

MATERIALS



White Powder Coat

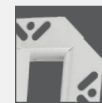


#4 Satin Stainless Steel

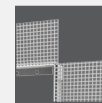
FLANGES



1 inch Flange



Drywall Bead

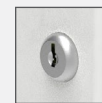


Plaster Bead

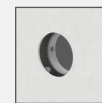
LATCHES



Screwdriver Cam Latch



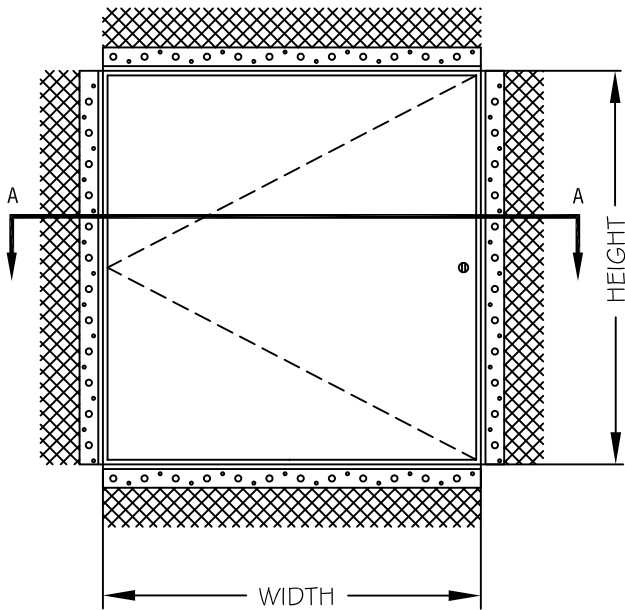
Key Operated Cam Lock



Mortise Lock Prep



Knurled Knob



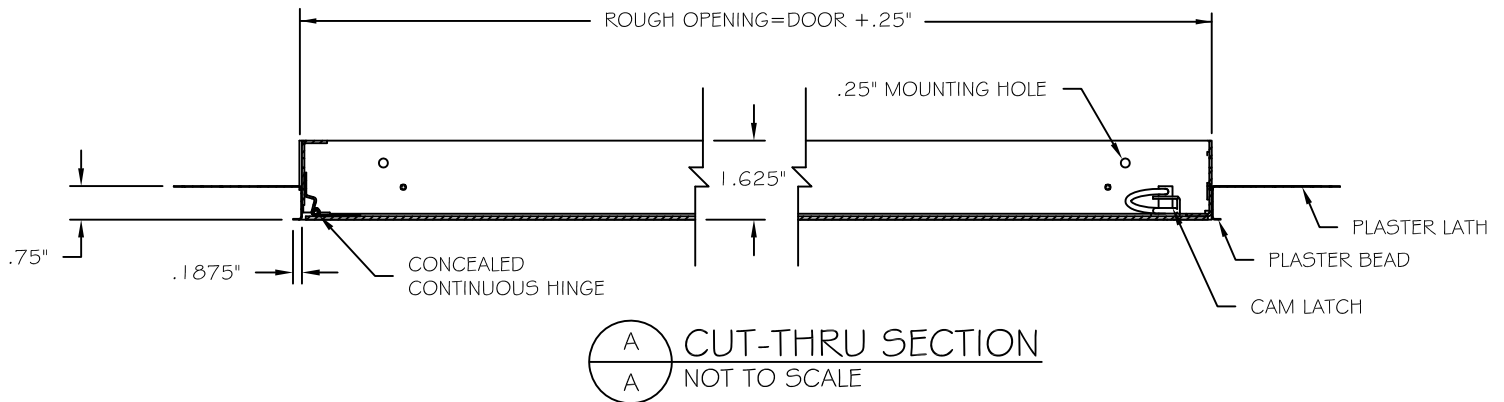
FRONT ELEVATION
NOT TO SCALE

SPECIFICATIONS

- 16 GAUGE COLD ROLLED STEEL FRAME
- 14 GAUGE COLD ROLLED STEEL DOOR
- WHITE BAKED ON POWDER COAT FINISH
- 22 GAUGE GALVANIZED STEEL PLASTER BEAD
- CONCEALED CONTINUOUS HINGE
- FRAMES ARE PROVIDED WITH .25" MOUNTING HOLES
- FLUSH SCREWDRIVER OPERATED CAM LATCH (ADDT'L CAMS PROVIDED ON PANELS 18" X 18" AND LARGER)

OPTIONS

- KEY OPERATED CAM LOCK
- PINNED ALLEN HEAD SECURITY CAM LATCHES
- PREPARATION FOR 1.125" MORTISE CYLINDER (CYLINDER PROVIDED BY OTHERS OR BY FACTORY)
- STAINLESS STEEL (TYPE 304) WITH A #4 SATIN FINISH
- GALVANIZED BONDERIZED STEEL
- METAL KNURLED KNOB CAM LATCHES



CUT-THRU SECTION
NOT TO SCALE



9300 73RD AVENUE NORTH
BROOKLYN PARK, MN 55428

PH. (888) 412-3726
WWW.BABCOCKDAVIS.COM

Standard Features:

- Door: 14 gauge cold rolled steel
 - Frame: 16 gauge cold rolled steel with 22 ga galvanized plaster casing bead
 - Hinge: Concealed continuous hinge
Optional: Concealed spring pin hinge
 - Latch: Screwdriver operated cam latch(es)
Optional: Key operated cam lock, pinned allen head security cam latch(es), mortise cylinder preparation (cylinder provided by factory or by others)
 - Finish: White baked on powder coat
Optional: galvanized bonderized or stainless steel with #4 satin polish finish
-

Specifications:

Frame shall be 16 gauge cold rolled steel with 22 gauge galvanized plaster casing bead. Door shall be fabricated from 14 gauge cold rolled steel. Hinge shall be concealed continuous hinge. Latch(es) shall be screwdriver operated cam type (optional: key operated cam lock, pinned allen head security cam latch, or preparation to receive 1 1/8" mortise cylinder - cylinder provided by factory or others). Finish shall be white baked on powder coat (optional: galvanized bonderized steel or stainless steel with #4 satin polish finish).

Installation shall be in accordance with manufacturers instructions. Manufacturer shall guarantee against defects in material and workmanship for a period of one year.

Standard Sizes:

Std Sizes (in)	Std Sizes (mm)	Weight/Latches	Std Sizes (in)	Std Sizes (mm)	Weight/Latches
06x06	152x152	3/1	20x30	508x762	19/5
08x08	203x203	4/1	22x22	559x559	19/4
10x10	254x254	5/1	22x30	559x762	22/5
12x12	305x305	7/1	24x24	610x610	20/4
12x18	305x457	10/1	24x30	610x762	24/5
12x24	305x610	12/1	24x36	610x914	28/5
14x14	356x356	8/1	24x48	610x1219	33/6
16x16	406x406	11/1	30x30	762x762	26/5
16x20	406x508	12/2	32x32	813x813	29/5
18x18	457x457	12/2	36x36	914x914	36/5
18x24	457x610	18/2	36x48	914x1219	52/6

All units are hinged on the second dimension (height). Rough opening is door size plus 1/4".