

Insulated Fire-Rated

ACCESS DOOR

Designed for wall and ceiling applications, this fire-rated Insulated Access Door is UL and Warnock-Hersey listed. Engineered with mineral fiber to assist in reducing heat transfer in the event of a fire.

FEATURES

FIRE-RATED Independently tested and labeled for 1-1/2 hours for wall applications and 3 hours for ceiling applications.

EASY OPERATION This self-closing door features an inside knurled knob latch release that is easy to operate.

CUSTOM SIZING Custom sizes available from 6 inches by 6 inches to 48 inches by 48 inches.



DETAILS

DOOR 20 gauge Steel, Self-Closing

FRAME 16 gauge Steel

SIZE

- Min: 6 inches by 6 inches
- BIT Max: 24 inches by 72 inches or 48 inches by 48 inches
- BIW/BIP Max: 36 inches by 48 inches

INSTALLATION Ceiling or Wall

HINGE

- BIT: Flush Continuous Piano
- BIW/BIP: Concealed Pin

FINISH White Powder Coat

INSULATION 2 inch Thick, Fire-Rated Mineral Fiber, R-8

CERTIFICATION

- UL listed "B" label for 1-1/2 hours (Wall)
- Warnock-Hersey listed for 3 hours (Ceiling)

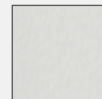
ORDER GUIDE

BASE	FLANGE	LATCH	WIDTH	X	LENGTH	OPTIONS
BI				X		
	T 1 inch Flange W Drywall Bead P Plaster Bead	K Knurled Knob / Key Operated Latch Bolt M Mortise Lock (1-1/8") Prep	Standard Sizes (W x L) 8" x 8" 18" x 24" 24" x 48" 10" x 10" 20" x 30" 30" x 30" 12" x 12" 22" x 22" 32" x 32" 12" x 18" 22" x 30" 36" x 36" 12" x 24" 22" x 36" 36" x 48" 14" x 14" 24" x 24" 48" x 48" 16" x 16" 24" x 30" 18" x 18" 24" x 36"			B Galvannealed G Gasketing M Masonry Anchors S Type 304 Stainless Steel

Rough opening is door size + 1/2 inch minimum. Additional sizes available, call for more information.

*Wall application only.

MATERIALS



White
Powder Coat

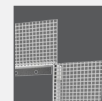
FLANGES



1 inch Flange



Drywall Bead

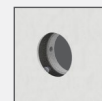


Plaster Bead

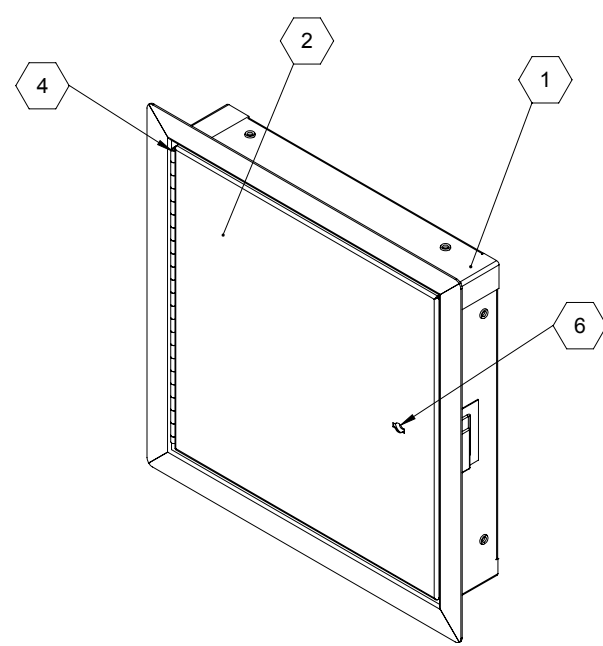
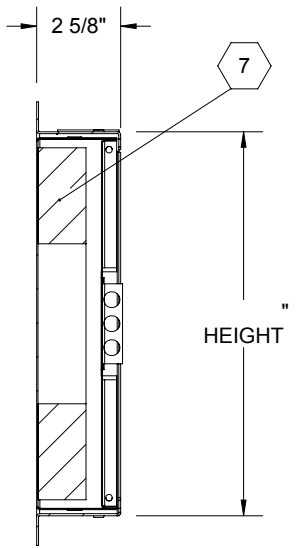
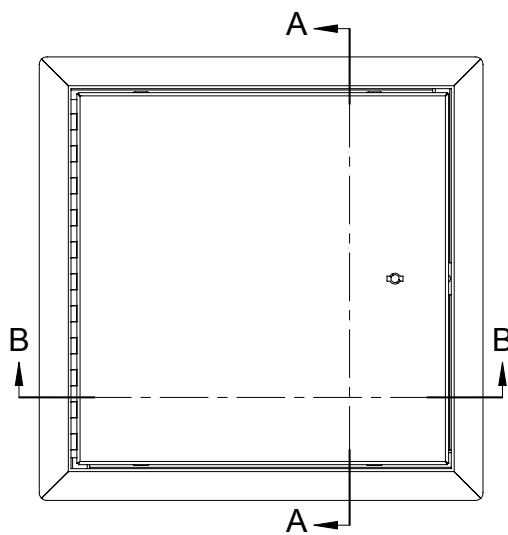
LATCHES



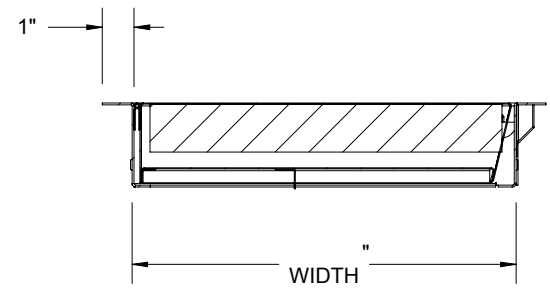
Knurled
Knob



Mortise
Lock Prep



SECTION A-A



SECTION B-B

ROUGH OPENING: " X " "
 CLEAR OPENING: " X " "
 DEGREE OF OPENING: ° X " "

HORIZONTAL
 1 HR WOOD-FRAME CONSTRUCTION
 3 HR NON-COMBUSTABLE CONSTRUCTION
 ON SIZES UP TO AND INCLUDING 24" W X 36" H.

VERTICAL
 1-1/2 HOUR "B" LABEL

NOTES:

- ① **FRAME:**
- ② **DOOR:**
- ③ **FINISH:**
- ④ **HINGE:**
- ⑤ **SECONDARY LATCH:**
- ⑥ **LOCK:** Knurled Knob/Keyed Slam Latch
- ⑦ **INSULATION:** 2" Thick Fire Rated Mineral Wool, 8 R-Value



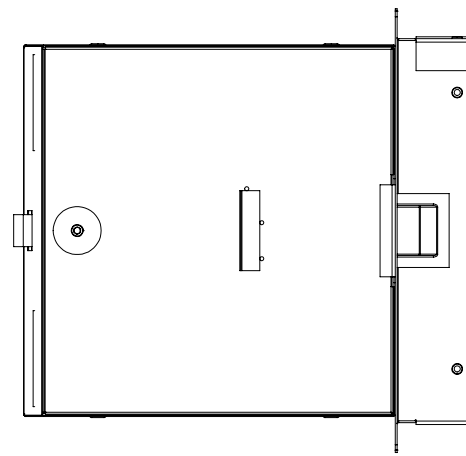
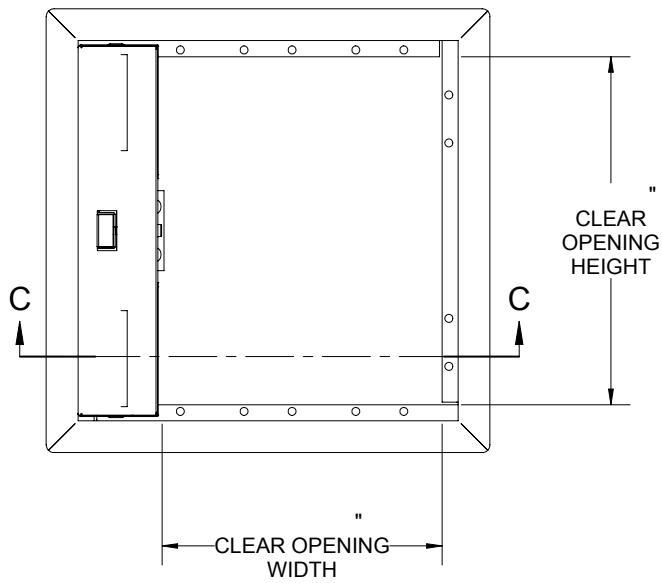
C **UL** US
 LISTED

PROJECT:			
ARCHITECT:			
CONTRACTOR:			
QTY:			
PART#:			
 9300 73rd Avenue North Brooklyn Park, MN 55428		TITLE:	
NAME	DATE	SIZE	DWG. NO.
DRAWN		A	
RELEASED		WEIGHT: VARIES	SHEET 1 OF 2

PROPRIETARY AND CONFIDENTIAL: THE INFORMATION CONTAINED IN THIS DRAWING IS THE SOLE PROPERTY OF BABCOCK-DAVIS. ANY REPRODUCTION IN PART OR AS A WHOLE WITHOUT THE WRITTEN PERMISSION OF BABCOCK-DAVIS IS PROHIBITED.

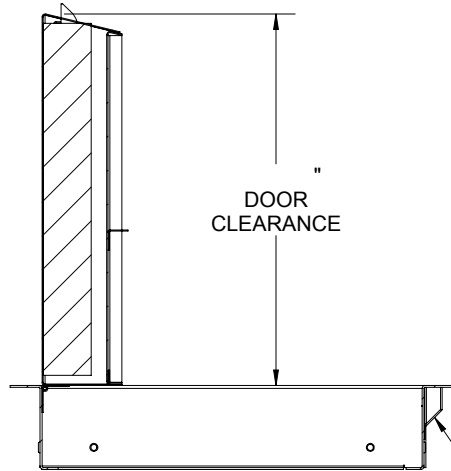
B

B

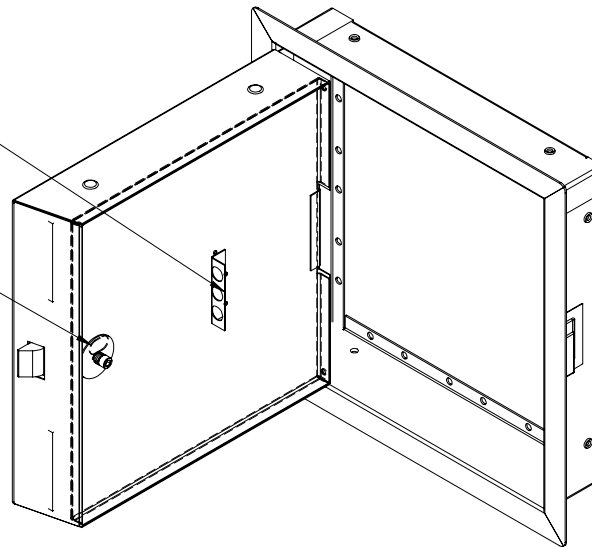


A

A



SPRING MOUNT BRACKET
 INTERIOR RELEASE MECHANISM



LATCH BOLT COVER
 EXTENDS 1/2" BEYOND
 OUTSIDE EDGE OF FRAME

PART#:			TITLE:		
9300 73rd Avenue North Brooklyn Park, MN 55428					
NAME	DATE	SIZE	DWG. NO.	REV	
DRAWN		A		-	
RELEASED			WEIGHT: VARIES	SHEET 2 OF 2	