

# Concealed

## DROP IN ACCESS DOOR

Designed for ceiling applications, the Concealed Drop-In panel provides a seamless, aesthetically pleasing alternative to a traditional steel access door. Finish ready for paint or texture, this access door helps keep the attention where it belongs...on your space.

### FEATURES

**REDUCED LABOR COSTS** Lightweight reinforced gypsum panel allows for single trade installation.

**CORNER OPTIONS** Standard and custom sizes available in circular, radius and square profiles.

**ECO FRIENDLY** These panels contain a 70% post-consumer recycled glass content for a truly GREEN product.



### DETAILS

**DOOR** Gypsum Fiber Reinforced

**FRAME** Gypsum Fiber Reinforced

**DOOR SHAPE** Radius Corner, Circular or Square Corner

#### SIZE

- Min: 6 inches by 6 inches
- Max: 48 inches by 48 inches

**INSTALLATION** Ceiling

**FLANGE** Drywall

### FINISH



Natural Gypsum  
White

### DOOR SHAPE



Radius  
Corner



Circular



Square  
Corner

### ORDER GUIDE

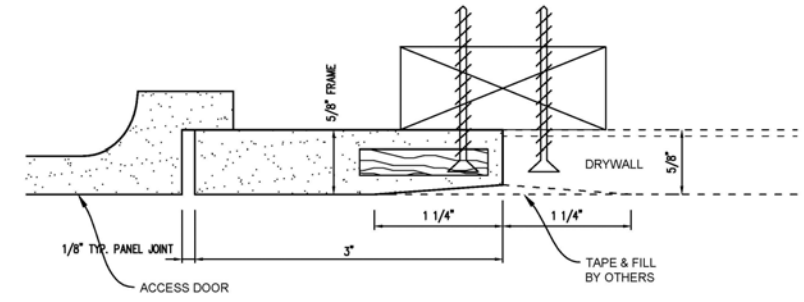
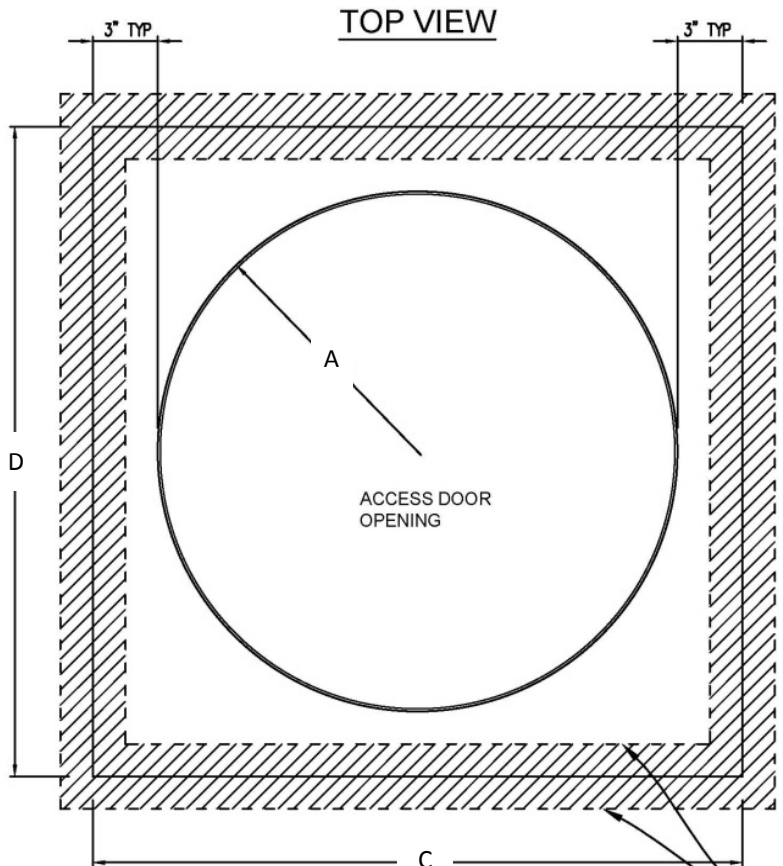
BASE	DOOR SHAPE	WIDTH	X	LENGTH
<b>BGFR</b>		—	<b>X</b>	
	<b>C</b> Circular	Standard Sizes (W x L)		
	<b>R</b> Radius Corner	9" x 9"	18" x 18"	
	<b>S</b> Square Corner	12" x 12"	24" x 24"	
		16" x 16"	30" x 30"	

Rough opening is door size + 6 inches.

Additional sizes available, call for more information.

For more information, contact  
Access Doors and Panels  
[www.accessdoorsandpanels.com](http://www.accessdoorsandpanels.com)

Phone: 1-800-609-2917  
Fax: 1-888-828-6021  
Email: [info@accessdoorsandpanels.com](mailto:info@accessdoorsandpanels.com)



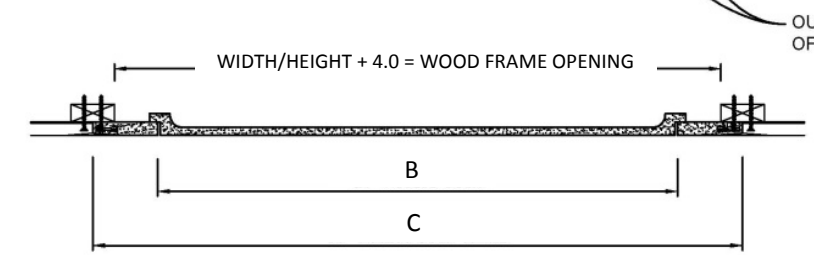
QTY	PART #	DIM A (DOOR RADIUS)	DIM B (DOOR DIAMETER)	DIM C (ROUGH OPENING WIDTH)	DIM A (ROUGH OPENING HEIGHT)
	GFRC-0909	4.5"	9.0"	15.0"	15.0"
	GFRC-1212	6.0"	12.0"	18.0"	18.0"
	GFRC-1616	8.0"	16.0"	22.0"	22.0"
	GFRC-1818	9.0"	18.0"	24.0"	24.0"
	GFRC-2424	12.0"	24.0"	30.0"	30.0"

**MATERIALS/TECHNICAL DATA:**

- High Density Gypsum Cement Plaster, Natural White
- Post-Consumer Recycled Glass (70% by volume)
- Multi-layered Fiberglass Mat
- Plywood Embedment

**OPTIONS:**

- 1/2" X 1/8" Neoprene Gasket



**SECTION VIEW**

PROJECT:			
ARCHITECT:			
CONTRACTOR:			
QTY:			
PART#:			
 9300 73rd Avenue North, Brooklyn Park MN 55428		TITLE:	
NAME	DATE	SIZE	DWG. NO.
DRAWN		A	
RELEASED			
			REV -
			SHEET 1

PROPRIETARY AND CONFIDENTIAL: THE INFORMATION CONTAINED IN THIS DRAWING IS THE SOLE PROPERTY OF BABCOCK-DAVIS. ANY REPRODUCTION IN PART OR AS A WHOLE WITHOUT THE WRITTEN PERMISSION OF BABCOCK-DAVIS IS PROHIBITED.