

RHA ALUMINUM LADDER ACCESS ROOF HATCH

Application

Acudor Ladder Access Roof Hatches are designed to provide convenient, economical access to the roof of a building

Features RHA

- Weather tight construction
- Convenient one-hand operation
- 12" high insulated curb
- Supports 40lbs./sq. ft. live load

Optional Features RHA

- Painted and Anodized finishes
- Polycarbonate domes for daylighting
- Louvered Curbs
- Curb Mounted Units
- Curb pitch corrected for sloped roof
- Higher curb heights for "green roof" applications

RHA Specifications:

Cover: Double-skin construction ("in box type design") with 1" cellulose insulation and a continuous EPDM foam weather/draft seal gasket that is attached to the inside of cover to provide a flush, tight fit. Designed to support a live load of 40lbs./sq. ft., the cover is 11 gauge aluminum with a 20 gauge aluminum inside liner.

Curb: 11 gauge aluminum with 1" thick fiberboard roof insulation at curb exterior. Curb is 12" high, with 3.375" wide bottom flange and pre-drilled mounting holes.

Hinge: Heavy duty Aluminum pintle hinges with 3/8" pin

Opening: Gas spring operators allow cover to open and close with ease. Inside pull handle allows for easy control when closing cover.

Door Latch: Self latching, zinc plated outside T handle with stainless steel inside lock and lever assembly. Unit also has inside and outside padlock provisions.

Finish: Mill finish

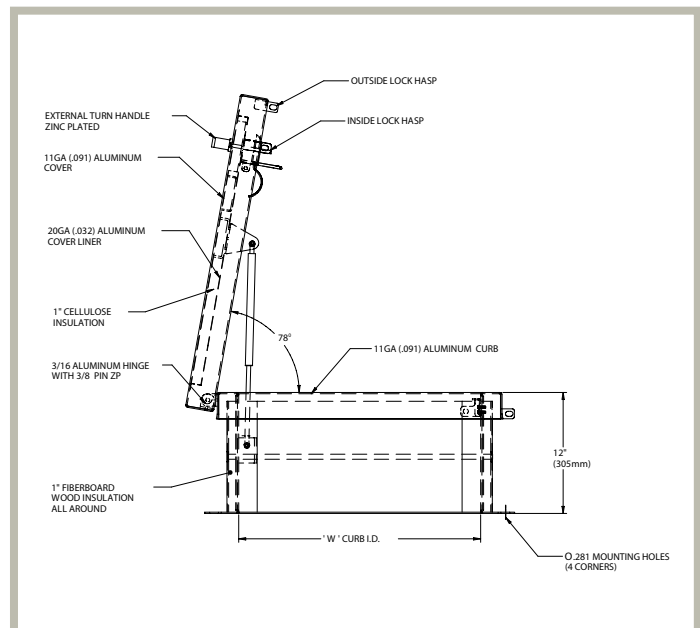


RHA STANDARD SIZES (other sizes available)

| Model | Curb ID W&L | Weight per Hatch |
|-------|---------------------|------------------|
| | inches (mm) | lbs. (kg.) |
| A3232 | 24 x 24 (610 x 610) | 60 (27.3) |
| A3238 | 24 x 30 (610 x 762) | 65 (29.4) |
| A3244 | 24 X 36 (610 X 914) | 70 (31.8) |
| A3838 | 30 x 30 (762 x 762) | 75 (34.0) |
| A3844 | 30 x 36 (762 x 914) | 85 (38.6) |
| A4444 | 36 x 36 (914 x 914) | 95 (43.2) |

For detailed specifications see submittal sheet

For more information, contact
Access Doors and Panels
www.accessdoorsandpanels.com



Phone: 1-800-609-2917

Fax: 1-888-828-6021

Email: info@accessdoorsandpanels.com



www.accessdoorsandpanels.com
 Phone: 1-800-609-2917
 Fax: 1-888-828-6021
 Email: info@accessdoorsandpanels.com

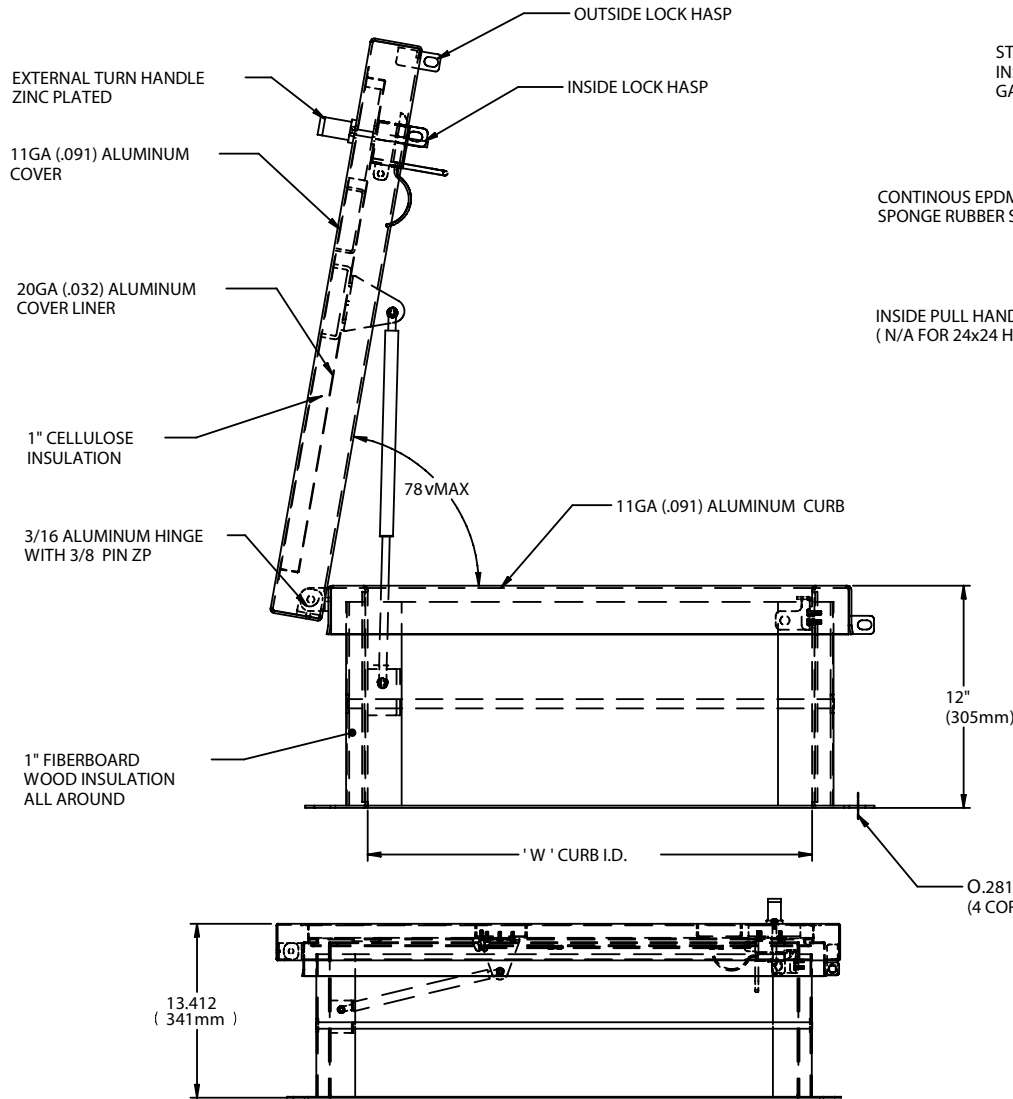
| QTY | OPENING WIDTH "W" | OPENING LENGTH "L" | QTY | OPENING WIDTH "W" | OPENING LENGTH "L" |
|-----|-------------------|--------------------|-----|-------------------|--------------------|
| | 36" (601mm) | 24" (914mm) | | | |
| | 30" (762mm) | 30" (762mm) | | | |
| | 36" (762mm) | 30" (914mm) | | | |
| | 36" (914mm) | 36" (914mm) | | | |

LADDER ACCESS ROOF HATCH ALUMINUM

ASSEMBLY NOTE:
 UNIT SHALL BE COMPLETELY ASSEMBLED AS SHOWN
 AND SUPPLIED TO JOB READY FOR INSTALLATION

UNIT IS HINGED ON THE SHORT SIDE

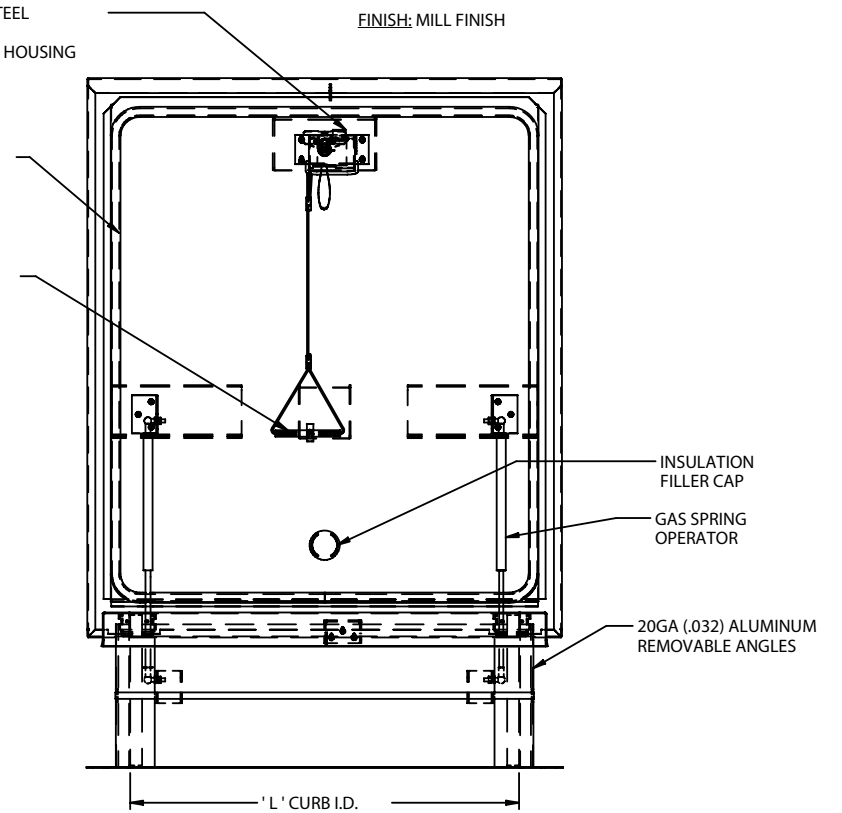
FINISH: MILL FINISH



STAINLESS STEEL
 INSIDE LOCK
 GALVANIZED HOUSING

CONTINUOUS EPDM BLACK
 SPONGE RUBBER SEAL

INSIDE PULL HANDLE
 (N/A FOR 24x24 HATCHES)



JOB NAME:

APPROVED BY:

CUSTOMER:

DATE: