



JL INDUSTRIES

# SUBMITTAL/TECHNICAL DATA SHEET

## DESCRIPTIONS

The Model RHG Series with an integrated safety railing provides a complete solution in a single unit. JL roof hatches are weather-resistant, insulated and easy to operate.

## FEATURES

- Designed with corner brackets welded to the counterflashing for easy assembly and installation of the safety railing in the field.
- Roof hatch with railing is sold as one unit.
- Complies with OSHA CFR 29-1910.29 when ordered with self-closing rigid gate SHG-2436.

## SPECIFICATIONS

**MATERIAL:** 14 gauge galvanized steel.

**FINISH:** Gray textured powder coat paint.

**CURB:** 12" single wall curb with 3-5/8" wide flange with holes for securing to roof deck.

**COVER:** 14 gauge galvanized steel, with 22 gauge galvanized steel liner. EPDM gasket seal.

**INSULATION:** 1" Fiberboard insulation in curb and 1" mineral wool in cover.

**HARDWARE:** Heavy-duty hinge, pin and fastening hardware are zinc-plated steel. Heavy gauge, automatic hold-open arm with red vinyl grip for opening and closing.

**SPRING:** Counterbalanced spring(s) in cylinders for lift assist.

**LATCH:** Zinc-coated exterior and interior handles with interior and exterior padlock hasp.

**LOAD/DEFLECTION:** Roof hatch cover has been tested and approved to support a minimum live load of 40 lbs/ft<sup>2</sup> with a maximum deflection of 1/150th of the span, maximum negative load of 50 lbs/ft<sup>2</sup> wind uplift, and 110 mph wind load when cover is in upright position.

For a complete list of options visit [www.AccessDoorsAndPanels.com](http://www.AccessDoorsAndPanels.com)



SKU: **RHG-STH**

## GALVANIZED ROOF HATCH WITH SAFETY RAIL

## DIMENSIONS AND APPEARANCE

>> CLICK TO VIEW ADDITIONAL DETAILS AND PRICING <<

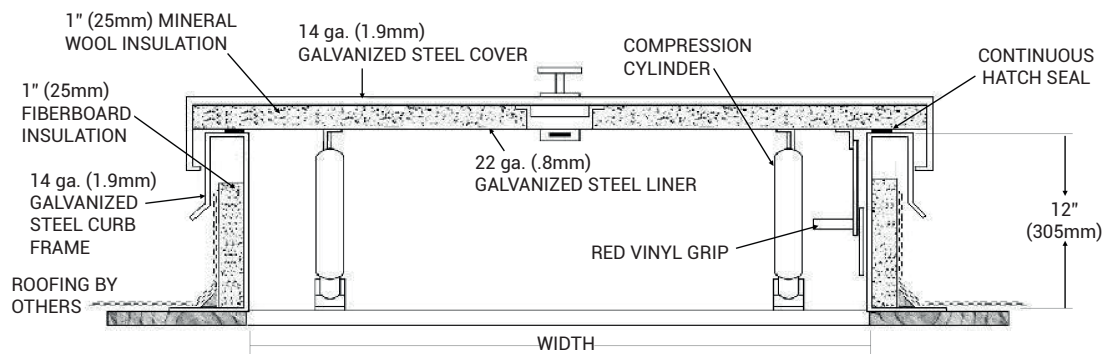
### STANDARD SIZES:

MODEL	CURB OPENING W x L	APP SHIP. WEIGHT
RHG-1-STH	2'6" x 3'0"	216 lbs
RHG-2-STH	4'6" x 2'6"	280 lbs
RHG-3-STH	8' x 2'6"	497 lbs
RHG-4-STH	3'0" x 3'0"	253 lbs
RHG-5-STH	4'0" x 4'0"	335 lbs

RHG-1-STH Shown with Optional Gate

### STH-RAILING:

<b>CERTIFICATIONS</b>	When ordered with optional rigid gate, the railing meets OSHA 1910.29 requirement for safe egress and ingress through rooftop hatch openings.
<b>MATERIAL</b>	1.66" O.D. galvanized steel tubing.
<b>FINISH</b>	Safety yellow powder coat paint.
<b>HARDWARE</b>	Zinc-plated steel nuts, bolts and washers and 3/16" ASTM proof coil chain with hoops for securing.



Rail Supports are Welded to Curb

### OPTIONS AT ADDITIONAL COST:

- Rigid Galvanized Steel Self-closing Gate –SHG-2436
- LP-4 \_ LP-5 \_ LP6, Ladder Posts (see separate submittals for more information)
- Optional colors: \_ WH White Hammetone \_ RH Red Hammetone
- Energy Efficient Polyisocyanurate Insulation: 1-1/2" polyiso insulation on curb (R-10)
- Stainless Steel Hardware: Hinges, exterior handle, inside locking handle

## PROJECT DATA

Custom Sizes Available - Fast!

Scan or



To view Pricing and Additional Product Info.

PROJECT NAME :	QTY	W	H	OPTIONS
ARCHITECT :				
DEALER :				
CONTRACTOR :				
LOCATION :	SPECIAL INSTRUCTIONS :			
DATE :	SUBMITTAL APPROVAL : (signature or stamp)			
TAGGING INSTRUCTIONS :				

TELEPHONE:  
1-888-457-1275

FAX:  
1-888-626-2907



PO BOX 66738 #76520,  
SAINT LOUIS, MO  
63166-6738  
USA



WEBSITE:  
[www.AccessDoorsAndPanels.com](http://www.AccessDoorsAndPanels.com)

E-MAIL:  
[info@AccessDoorsAndPanels.com](mailto:info@AccessDoorsAndPanels.com)