

# RHG-SEC

## SECURITY ROOF HATCH, GALVANIZED

### Application

Security Roof Hatches are designed to provide convenient, economical access to the roof of a building while adding an additional level of security. The heavy gauge materials used to manufacture this hatch are ideal for applications in banks, prisons, hospitals and more.

### Features RHG-SEC

- Weather tight construction
- Convenient one-hand operation
- 12" high insulated curb
- Supports 40lbs./sq. ft. live load

### Optional Features RHG-SEC

- Stainless Steel cover, curb, and/or hardware
- Aluminum Material
- Louvered Curbs
- Curb Mounted Units
- Curb pitch corrected for sloped roof
- Higher curb heights for "green roof" applications

### RHG-SEC Specifications:

**Cover:** Double-skin construction ("in box type design") with 1" cellulose insulation and a continuous EPDM foam weather/draft seal gasket that is attached to the inside of cover to provide a flush, tight fit. Designed to support a live load of 40lbs./sq. ft., the cover is 10 gauge galvanized steel with a 22 gauge galvanized steel inside liner.

**Curb:** 10 gauge galvanized steel with 1" thick fiberboard roof insulation at curb exterior. Curb is 12" high, with 3.375" wide bottom flange and pre-drilled mounting holes.

**Hinge:** Heavy duty galvanized steel pintle hinges with 3/8" pin

**Opening:** Gas spring operators allow cover to open and close with ease. Inside pull handle allows for easy control when closing cover.

### RHG-SEC STANDARD SIZES *(other sizes available)*

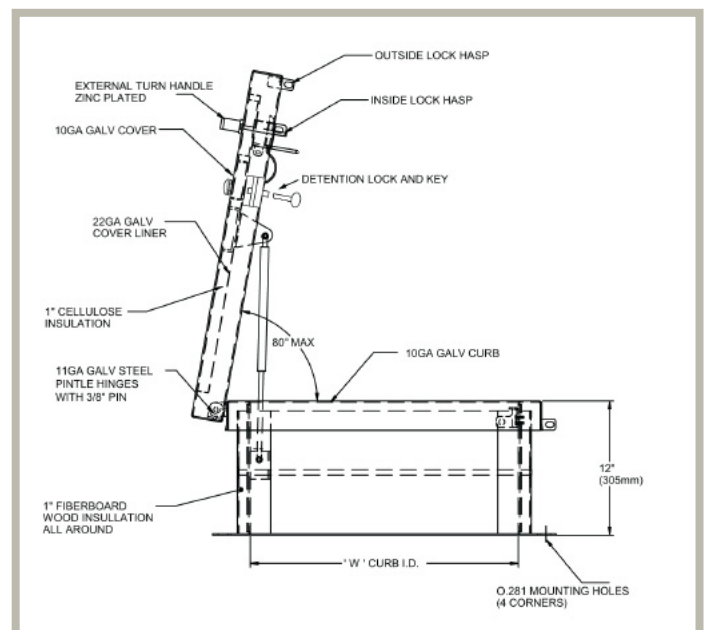
Model	Curb ID L&W	Weight per Hatch	
	inches (mm)	materials	lbs. (kg.)
GSEC3232	24 X 24 (610 X 610)	GAL.	250 (114)
GSEC3224	24 X 36 (610 X 914)	GAL.	270 (122)
GSEC3838	30 X 30 (762 X 762)	GAL.	280 (128)
GSEC3844	30 X 36 (762 X 914)	GAL.	310 (142)
GSEC4444	36 X 36 (914 X 914)	GAL.	340 (154)

For detailed specifications see submittal sheet



**Door Latch:** Self latching, zinc plated outside T handle with stainless steel inside lock and lever assembly. Heavy duty detention lock with paracentric key. Unit also has inside and outside padlock provisions.

**Finish:** Material is prepared with an iron phosphate wash, followed by a rust inhibiting primer, and then a baked on polyester enamel paint.





www.accessdoorsandpanels.com  
 Phone: 1-800-609-2917  
 info@accessdoorsandpanels.com  
 P.O Box 66738 #76520 Saint Louis

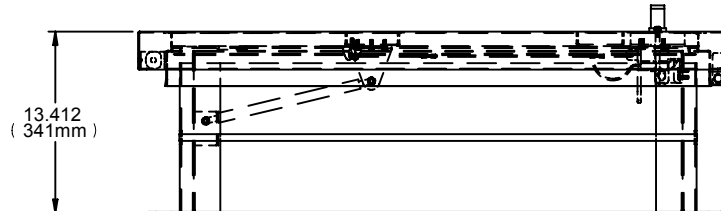
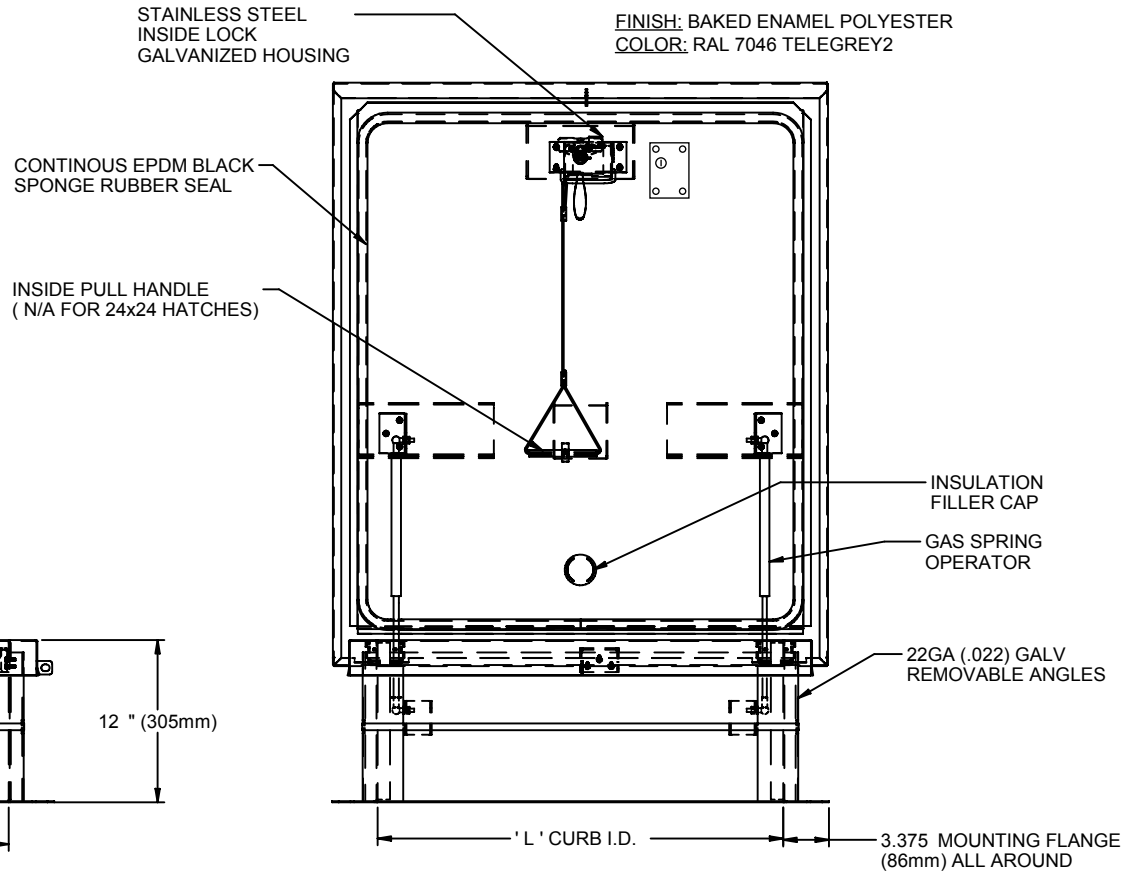
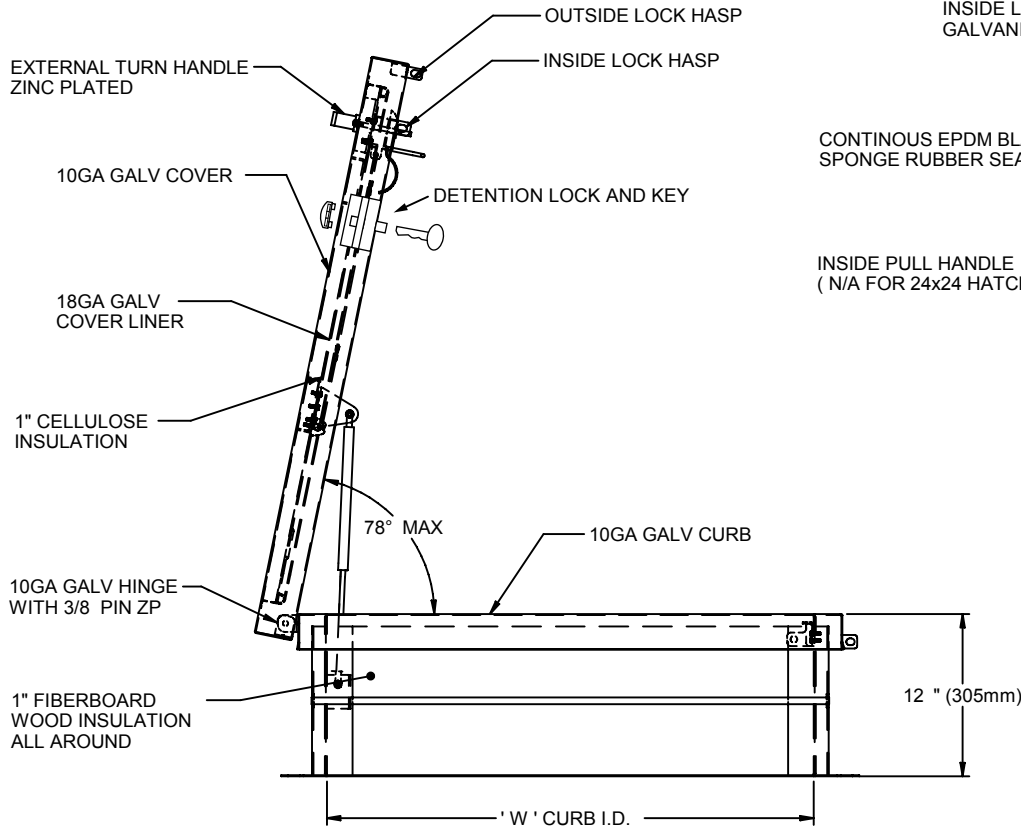
QTY	OPENING WIDTH "W"	OPENING LENGTH "L"	QTY	OPENING WIDTH "W"	OPENING LENGTH "L"
	24" (601mm)	24" (601mm)		36" (914mm)	36" (914mm)
	36" (601mm)	24" (914mm)			
	30" (762mm)	30" (762mm)			
	36" (762mm)	30" (914mm)			

## SECURITY ROOF HATCH GALVANIZED

**ASSEMBLY NOTE:**  
 UNIT SHALL BE COMPLETELY ASSEMBLED AS SHOWN  
 AND SUPPLIED TO JOB READY FOR INSTALLATION

UNIT IS HINGED ON THE SHORT SIDE

**FINISH:** BAKED ENAMEL POLYESTER  
**COLOR:** RAL 7046 TELEGREY2



JOB NAME:

APPROVED BY:

CUSTOMER:

DATE: