



SUBMITTAL/TECHNICAL DATA SHEET

DESCRIPTIONS

The Diamond Series Roof Hatch is designed for safe and easy roof access with higher insulation values to reduce building energy costs.

SPECIFICATIONS

CURB: Single wall curb and counter-flashing with Diamond Grip to secure roof membrane without tools.
 • 11 gauge aluminum, mill finish

COVER: Formed and welded with liner, tested to support a live load of 40psf.
 • 11 gauge with 18 gauge liner aluminum, mill finish

GASKET: Continuous, weatherproof EPDM sponge rubber adhesive-backed seal.

INSULATION: 1" polyisocyanurate in curb and cover with thermal resistance R-6.

SPRING: Counterbalanced compression springs contained in clear zinc-plated steel cylinders.

LATCH: Clear zinc-plated steel slam latch with inside and outside handles and padlock hasps. Tested to 50psf wind uplift.

HOLD OPEN ARM: Clear zinc-plated automatic locking hold open arm with red vinyl grip for one handed door operation.

HINGE: Heavy duty clear zinc-plated steel pintle hinge.

SIZES:

Min Size: 24" X 24"
 Max Size: 48" x 72", 36 x 96"

See the Dur-Red RHU Series for larger sizes.



SKU: **RHDA**

ROOF HATCH - ALUMINUM



DIMENSIONS AND APPEARANCE

>> CLICK TO VIEW ADDITIONAL DETAILS AND PRICING <<

STANDARD SIZES:

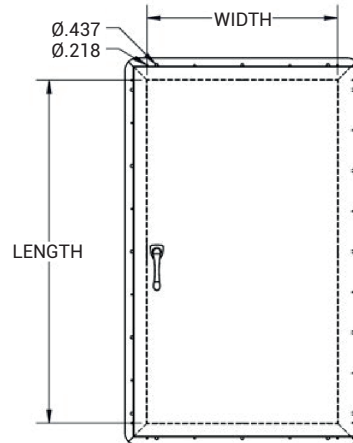
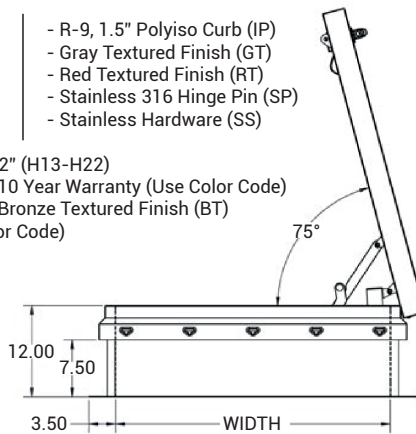
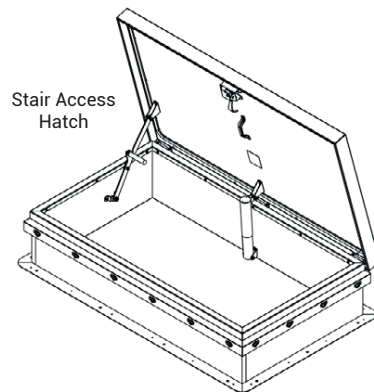
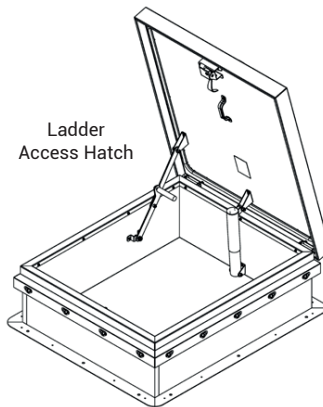
SIZE W x L	ALUMINUM	TYPE
36" x 30"	RHDA-1	LADDER
30" x 54"	RHDA-2	STAIR
30" x 96"	RHDA-3	STAIR
36" x 36"	RHDA-4	LADDER
48" x 48"	RHDA-5	LADDER
32" x 72"	RHDA-6	STAIR
37" x 30"	RHDA-7	LADDER

Custom sizes available.

Notes: For pitched roofs up to 7:12, mount hinge side parallel to slope. Door opens 75°.

ADDITIONAL FEATURES:

- White Textured Finish (WT)
- Curb Double Wall (CD)
- R-12, 2" Polyiso Curb (IT)
- 3/4" Wood Nailer (IW)
- 1" Fiberboard (IF)
- R-9, 1.5" Polyiso Curb (IP)
- Gray Textured Finish (GT)
- Red Textured Finish (RT)
- Stainless 316 Hinge Pin (SP)
- Stainless Hardware (SS)
- Curb Heights from 13" to 22" (H13-H22)
- Fluoropolymer Finish with 10 Year Warranty (Use Color Code)
- Fluoropolymer Finish with Bronze Textured Finish (BT)
- 20 Year Warranty (Use Color Code)



For a complete list of options visit www.AccessDoorsAndPanels.com

PROJECT DATA

Custom Sizes Available - Fast!

PROJECT NAME :	QTY	W	H	OPTIONS
ARCHITECT :				
DEALER :				
CONTRACTOR :				
LOCATION :	SPECIAL INSTRUCTIONS :			
DATE :	SUBMITTAL APPROVAL : (signature or stamp)			
TAGGING INSTRUCTIONS :				

Scan or Click



To view Pricing and Additional Product Info.

TELEPHONE:
1-888-457-1275
FAX:
1-888-626-2907



PO BOX 66738 #76520,
SAINT LOUIS, MO
63166-6738
USA



WEBSITE:
www.AccessDoorsAndPanels.com
E-MAIL:
info@AccessDoorsAndPanels.com