

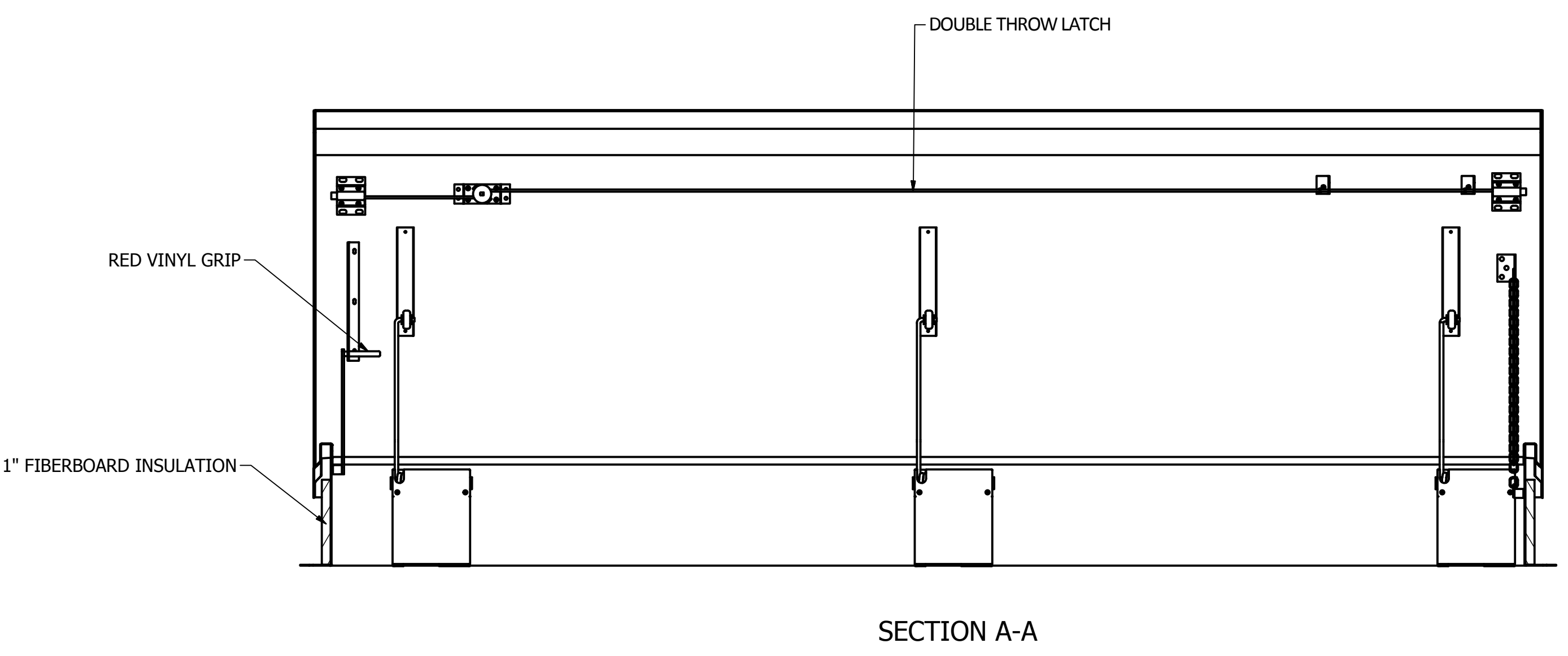
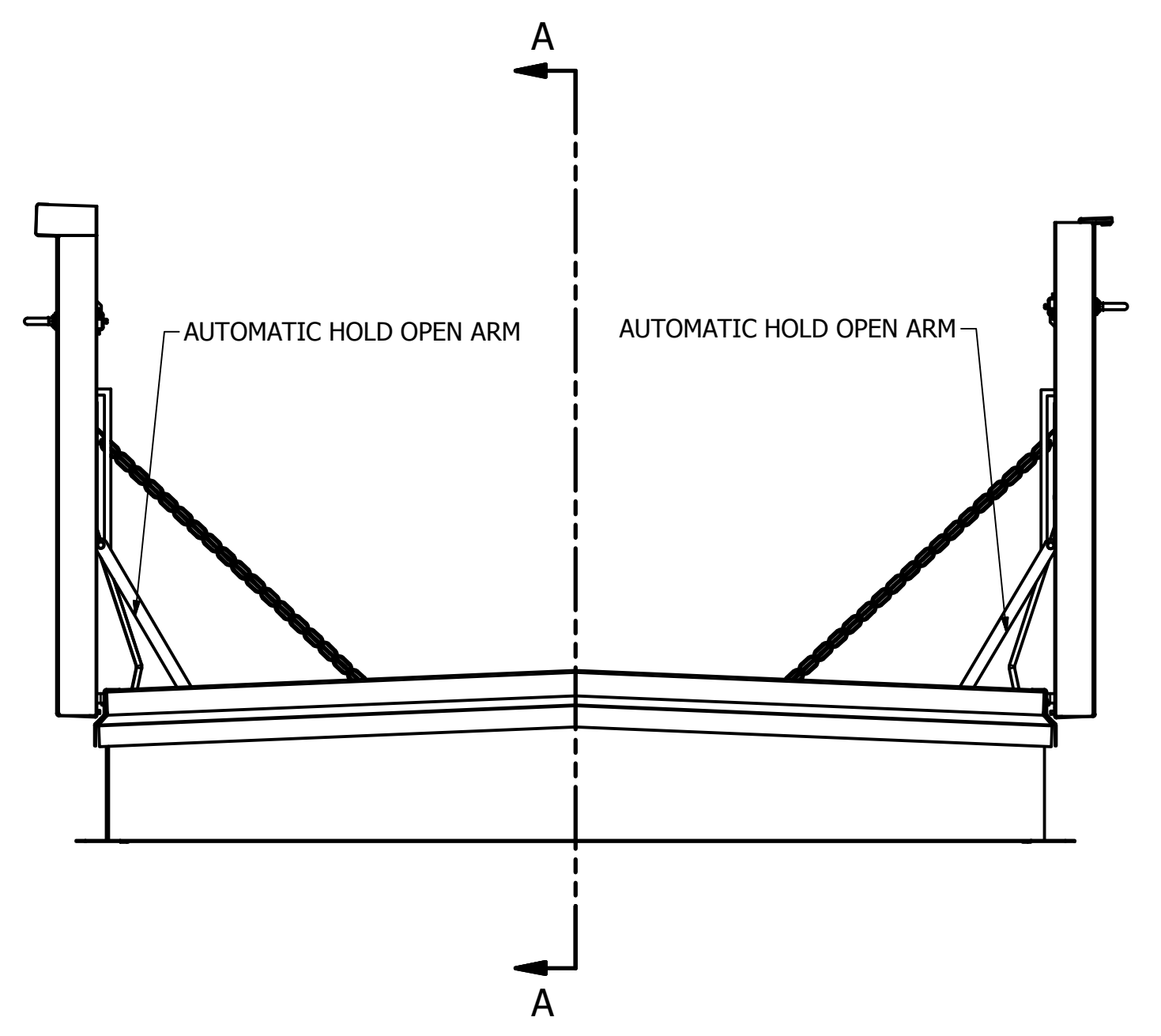
- NOTES:**  
**SIZE: RD-6'0"X11'0"**  
 1) 40psf COVER LIVE LOAD RATING  
 2) MILL FINISH  
 3) MATERIALS:  
 .090 ALUMINUM, COVER  
 .090 ALUMINUM, CURB  
 .090 ALUMINUM, COUNTER FLASHING  
 .063 ALUMINUM, COVER LINER

**ORDER WILL NOT BE RELEASED FOR FABRICATION UNTIL SIGNED COPY IS RECEIVED.**

VERIFICATION AND APPROVAL OF GENERAL ARRANGEMENT AND OVERALL DIMENSIONS FOR THIS DOCUMENT ARE REQUIRED BEFORE THE ORDER IS ENTERED FOR MANUFACTURING.

APPROVAL SIGNATURE \_\_\_\_\_  
 TITLE HELD \_\_\_\_\_  
 DATE OF APPROVAL \_\_\_\_\_

DRAWN	CMD	2/25/2015	TITLE	
CHECKED	<b>MILCOR</b>		RD-5 DOUBLE LEAF ROOF ASSEMBLY	
QA	TOLERANCE UNLESS SPECIFIED		SIZE	DWG NO
MFG	.XXX ± 0.005"		D	3501-235-9
APPROVED	.XX ± 0.01"		SCALE	REV
	FRACT. ± 1/16"			--
	ANGLES ± 1'		SHEET 1 OF 1	



SECTION A-A