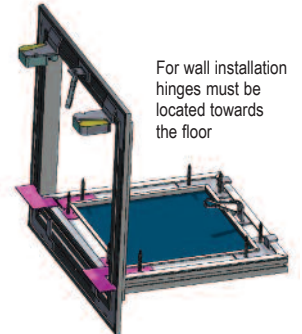
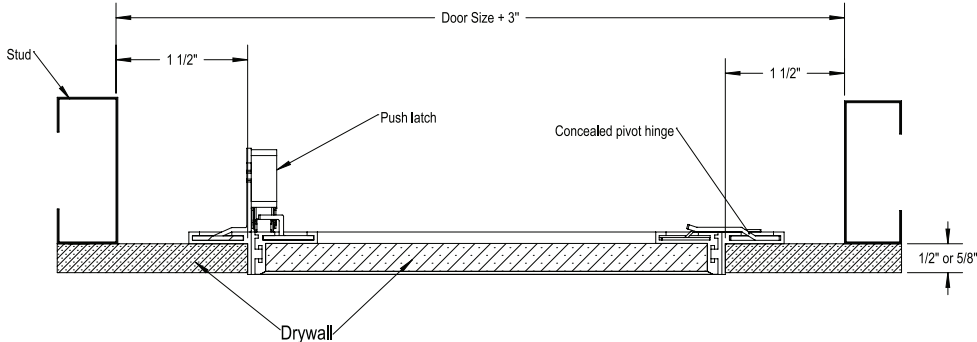
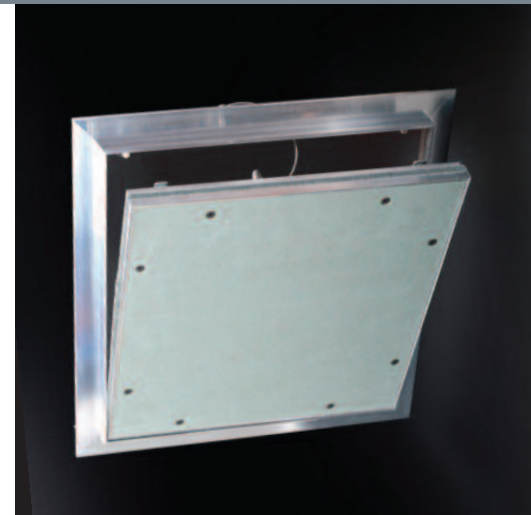
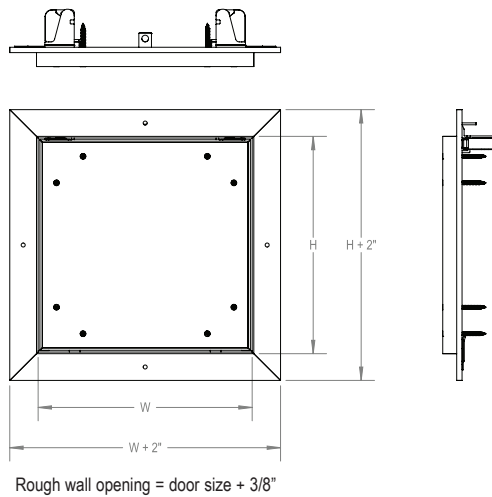


**RECESSED ACCESS DOOR WITH ALUMINUM FRAME
AND DRYWALL INLAY - FOR ALL DRYWALL SURFACES**
RAL
INSTALLATION

DIMENSION AND APPEARANCE

DOOR SIZE - W x H INCHES (MM)	WEIGHT LBS		WEIGHT KG	
	1/2" drywall	5/8" drywall	1/2" drywall	5/8" drywall
8" X 8" (203 x 203)	2,3	2,8	1	1,3
12" X 12" (304 x 304)	3,5	4,4	1,6	2
16" X 16" (406 x 406)	4,9	6,5	2,2	3
18" X 18" (457 x 457)	5,8	7,8	2,6	3,5
20" X 20" (508 x 508)	6,7	9,1	3	4,1
24" X 24" (609 x 609)	8,8	12,2	4	5,5
36" X 36" (914 x 914)	16,9	24,2	7,7	11
24" X 48" (609 x 1219)	15,5	22,1	7	10

* Available for 1/2" and 5/8" drywall
 ** For wall installation, hinges must be located along the floor side (width)
***** Hinge location: On the first two digits (Width)**


DESCRIPTION AND MATERIAL SPECIFICATION

Materials: Extruded mill finish aluminum frame and door contour with moisture resistant drywall inlay.

Hinge: Concealed free pivot hinge.

Lock / latch: Concealed push-latch.

Odd size available: These doors are manufactured in 5 business days.

Removable door: With retaining cables.

Packaging: Individually wrapped. 1 per box.

POPULAR OPTIONS For complete list of options go to: www.accessdoorsandpanels.com

Lock: Cylinder or screwdriver latch.

Finish: Factory taped, primed door.

PROJECT DATA

PROJECT NAME:	QTY	W (Hinge)	H	OPTIONS
ARCHITECT:				
DEALER:				
CONTRACTOR:				
LOCATION:	SPECIAL INSTRUCTIONS:			
DATE:				
TAGGING INSTRUCTIONS:	SUBMITTAL APPROVAL: (signature or stamp)			