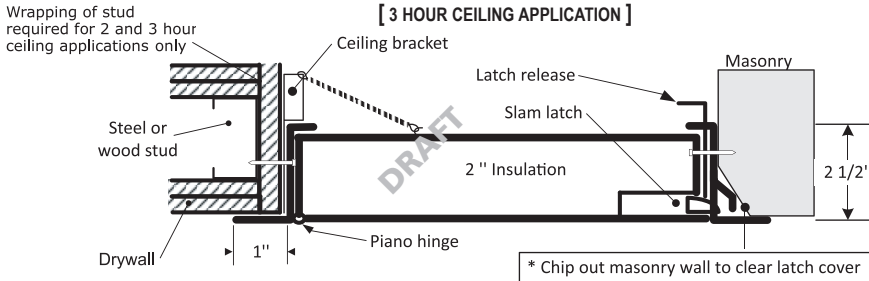


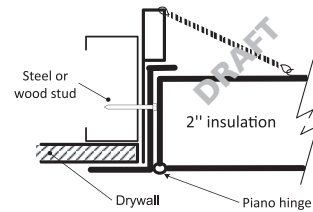
**FIRE RATED INSULATED ACCESS DOOR**  
**STAINLESS STEEL** FOR ALL SURFACE TYPES

**BA-PFI-SS**

**INSTALLATION: WALLS AND CEILINGS**



**[ 1 HOUR CEILING APPLICATION ]**

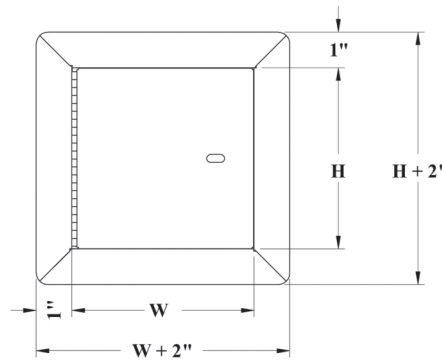


Authorities Having Jurisdiction (AHJ) should be consulted in all cases as to the particular requirements covering the installation and use of fire rated access doors.

**DIMENSIONS AND APPEARANCE**

DOOR SIZE W x H inches (MM)	NUMBER OF LOCKS	WEIGHT LBS KG
8 x 8 (203 x 203)	1	7 3.2
10 x 10 (254 x 254)	1	8 3.6
12 x 12 (304 x 304)	1	10 4.5
14 x 14 (355 x 355)	1	12 5.4
16 x 16 (406 x 406)	1	14 6.4
18 x 18 (457 x 457)	1	17 7.7
22 x 22 (558 x 558)	1	20 9.1
22 x 30 (558 x 762)	1	30 13.6
22 x 36 (558 x 914)	2	34 15.5
24 x 24 (609 x 609)	1	28 12.7
24 x 36 (609 x 914)	2	36 16.4
* 24 x 48 (609 x 1219)	2	48 21.8
* 30 x 30 (762 x 762)	1	40 18.1
* 32 x 32 (812 x 812)	2	43 19.5
* 36 x 36 (914 x 914)	2	50 22.7
* 48 x 48 (1219 x 1219)	2	83 37.7

LEED ready: This product contributes to LEED® credits.



Rough wall opening is door size + 1/4" or + 6mm  
 \*Not available for ceiling rating (maximum 24"x36")

Your odd sizes:  
Made in 5 days

**DESCRIPTION AND MATERIAL SPECIFICATION**

**FIRE RATING: For installation in vertical wall assemblies:**  
 RATING 1 1/2 HOURS. Temperature rise: 250°F (139°C) at 30 mins. and 450°F (250°C) at 60 mins. Maximum door size of 48" x 48".  
 RATING 3 HOURS. Temperature rise: 400°F at 60 mins. Maximum door size of 48" x 48".

**FIRE RATING: For installation in horizontal ceiling assemblies:**  
 WITH TEMPERATURE RISE: Rating 3 hours for non-combustible assembly and 1 hour for combustible assembly. Temperature rise: Max 250°F (139°C) at 30 mins, 450°F (250°C) at 60 mins. Maximum door size of 24" x 36" or 864 sq inches (see note 1)  
 WITHOUT TEMPERATURE RISE: Rating: 3 hours for non-combustible assembly and 1 hour for combustible assembly.

STANDARDS LISTED: NFPA 252-2003, UI 10(b), UI 555, CAN/ULC S112 M90-R2001, CAN/ULC S104-10, MEA # 507-06-M

- Material:** stainless steel #4 (brushed finish)
- Insulation:** mineral wool
- Hinge:** continuous piano hinge
- Lock / latch:** self latching tool-key operated slam latch and/or ring operated slam latch, both included
- Inside panel release:** standard on all doors over 12" x 12"
- Automatic panel closer:** standard on all doors
- Finish:** high quality white powder coat primer
- Packaging:** individually wrapped, 1 per box

**POPULAR OPTIONS** For complete list of options go to: [www.AccessDoorsPanels.com](http://www.AccessDoorsPanels.com)

- Lock / latch:** handle operated slam latch, mortise preparation for cylinder (cylinder optional), hex head slam latch, mortise deadbolt lock
- Masonry anchor:** available on all sizes



**PROJECT DATA**

PROJECT NAME:	QTY	W	H	OPTIONS
ARCHITECT:				
DEAIER:				
CONTRACTOR:				
LOCATION:	SPECIAL INSTRUCTIONS:			
DATE:				
TAGGING INSTRUCTIONS:	SUBMITTAL APPROVAL: (signature or stamp)			