

ODD Series



OVAL DUCT DOORS

Oval Duct Doors are ideally suited for new installations for insulated and uninsulated ducts.

Door and Frame are fabricated from 24 gage galvanized steel. Door includes a one piece extruded gasket for positive seal with Thermal, Acoustic, and Fire Retardant insulation.

Frame is die-formed and seamless in a sandwich construction. Both flanges of frame are pre-punched with 3/16" mounting holes for fastening.

Latches are positive cam lock fastening.

Guide Specification

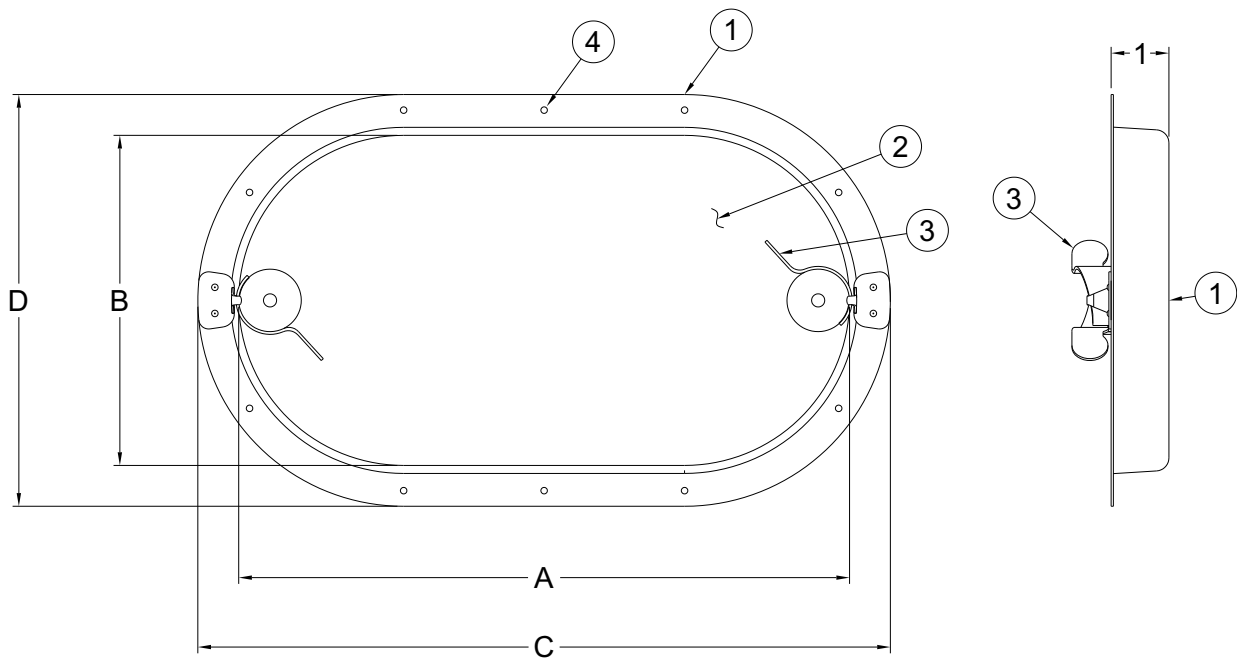
Provide Elmdor[®] ODD Oval Access Door. Access door and frame shall be fabricated from 24 gage galvanized steel. Door and Frame shall be die-formed and seamless panels in a sandwich construction with one piece extruded gasket for positive seal with Thermal, Acoustic, and Fire Retardant insulation. Door latches are positive cam lock fastening. Frame has pre-punched holes on both flanges for mounting.



STANDARD AVAILABLE SIZES

Special sizes available upon request.

NOMINAL DOOR SIZE	DIM "A"	DIM "B"	DIM "C"	DIM "D"
ODD 8" x 5" (200mm x 125mm)	7-7/8"	5"	9-1/2"	6-1/2"
ODD 12" x 6" (300mm x 150mm)	11-7/8"	6"	13-1/4"	7-7/8"
ODD 18" x 10" (460mm x 260mm)	18-1/4"	10-1/4"	19-5/8"	11-7/8"
ODD 22" x 14" (550mm x 350mm)	21-5/8"	13-3/4"	23-1/4"	15-3/4"
ODD 26" x 18" (650mm x 450mm)	25-5/8"	17-3/4"	27-1/8"	19-5/8"



NOTES:

- 1. FRAME
- 2. DOOR
- 3. POSITIVE CAM LOCK FASTENERS
- 4. MOUNTING HOLES

SELECTION SUMMARY & APPROVAL FOR MANUFACTURING

Model Number & Options _____	Quantity _____
Company _____	Date _____
Contact _____	Title _____
Approval for Manufacturing/Signature _____	

ODD

Revised: 3/24/09