
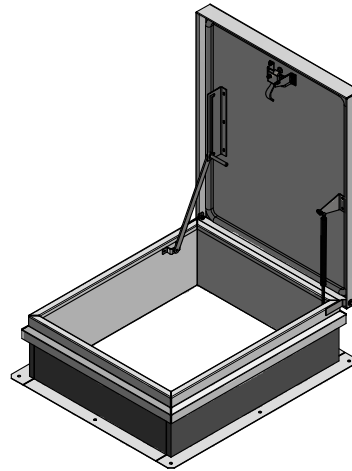
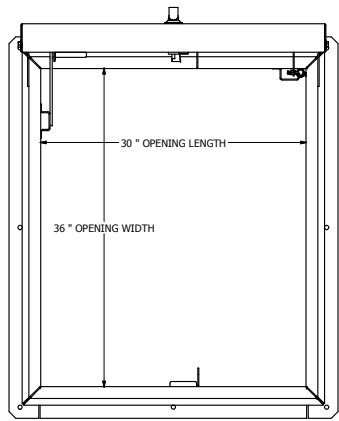


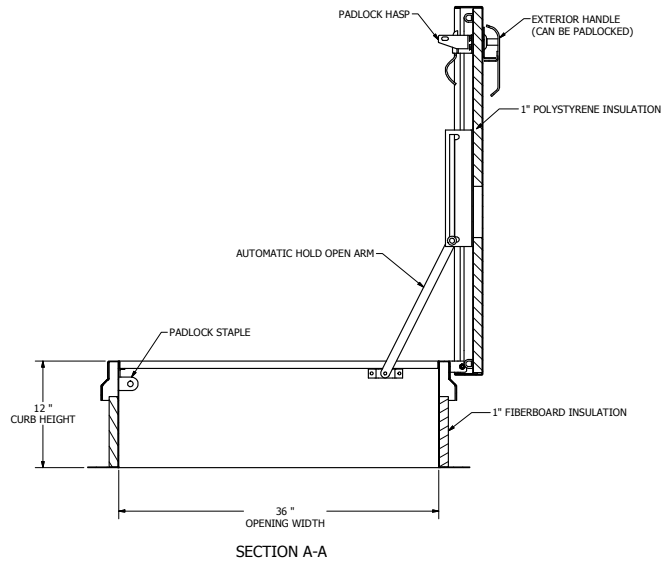
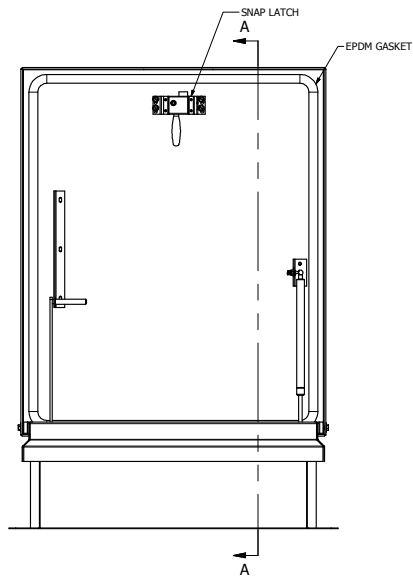


Toll Free Phone: 1-800-609-2917 / Toll Free Fax: 1-888-828-6021 / Email: info@accessdoorsandpanels.com / www.accessdoorsandpanels.com

LEED for NEW CONSTRUCTION Version 2.2									Milcor Galv Steel Roof Hatches	Milcor Alum Roof Hatches	Milcor Skylight Hatches	Milcor Galv Stl Heat & Smoke Vents	Milcor Alum Heat & Smoke Vents	Milcor Domed Heat & Smoke Vents	Milcor Translucent Panel Heat & Smoke Vents	Milcor Steel Sidewalk Doors	Milcor Alum Sidewalk Doors	Milcor Steel Floor Doors	Milcor Alum Floor Doors	Milcor Steel Access Doors
SS	WE	EA	MR	EQ	ID	Heat Island Effect, Roof		X		X	X		X	X						
Credit 7.2																				
SS	WE	EA	MR	EQ	ID	Recycled Content, 10% (post-consumer + 1/2 pre-consumer)		X	X	X	X	X	X	X	X	X	X	X	X	
Credit 4.1																				
SS	WE	EA	MR	EQ	ID	Recycled Content, 20% (post-consumer + 1/2 pre-consumer)		X	X	X	X	X	X	X	X	X	X	X	X	
Credit 4.2																				
SS	WE	EA	MR	EQ	ID	Regional Materials, 10% Extracted, Processed & Manufactured		X	X	X	X	X	X	X	X	X	X	X	X	
Credit 5.1																				
SS	WE	EA	MR	EQ	ID	Regional Materials, 20% Extracted, Processed & Manufactured		X	X	X	X	X	X	X	X	X	X	X	X	
Credit 5.2																				
SS	WE	EA	MR	EQ	ID	Low-Emitting Materials, Adhesives & Sealants		X	X	X	X	X	X	X	X	X	X	X	X	
Credit 4.1																				
SS	WE	EA	MR	EQ	ID	Low-Emitting Materials, Paints & Coatings		X		X	X		X	X	X	X	X	X	X	
Credit 4.2																				



- NOTES:
 SIZE: M-3'0"X2'6"
 1) 70psf COVER LIVE LOAD RATING
 2) HATCH POWDERCOATED WHITE
 3) MATERIALS:
 14ga GALVANIZED, COVER
 14ga GALVANIZED, CURB
 14ga GALVANIZED, COUNTER FLASHING
 22ga GALVANIZED, COVER LINER
 4) ZINC PLATED HARDWARE
 5) GAS SPRING COVER ASSIST



ORDER WILL NOT BE RELEASED FOR FABRICATION UNTIL SIGNED COPY IS RECEIVED.

VERIFICATION AND APPROVAL OF GENERAL ARRANGEMENT AND OVERALL DIMENSIONS FOR THIS DOCUMENT ARE REQUIRED BEFORE THE ORDER IS ENTERED FOR MANUFACTURING.

APPROVAL SIGNATURE _____

TITLE HELD _____

DATE OF APPROVAL _____

DRAWN JM	2/22/2017	Toll Free Phone: 1-800-609-2917 Toll Free Fax: 1-800-823-0021 Email: info@accessdoorsandpanels.com www.accessdoorsandpanels.com	TITLE
CHECKED			M-1 ROOF HATCH
QA		TOLERANCE UNLESS SPECIFIED	
RFG		.XXX ± 0.005"	
APPROVED		.XX ± 0.01"	
		FRACT. ± 1/16"	SIZE D
		ANGLES ± 1'	DWG NO 3501-501-9
			SCALE
			REV A
			SHEET 1 OF 1