

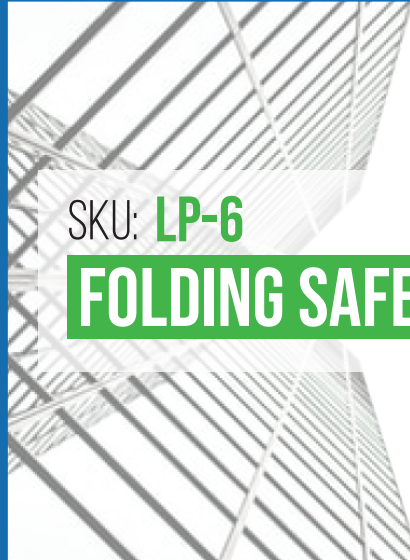


SUBMITTAL/TECHNICAL DATA SHEET

DESCRIPTIONS

The LP-6 ladder post provides easy and safe access through a roof hatch. The assembly permanently mounts to the roof hatch and acts as an extension to the ladder to enable users to safely enter and exit a roof access hatch.

After the user opens the roof hatch, the post is raised with one hand and self-locks into an upright position. The user can then safely climb from the ladder to the rooftop using the post for a hand hold. The post can be easily folded down into the stowed position.



SKU: **LP-6**

FOLDING SAFETY POST



DIMENSIONS AND APPEARANCE

>> [CLICK TO VIEW ADDITIONAL DETAILS AND PRICING](#) <<

SPECIFICATIONS

OVERALL DIMENSIONS: 34 5/8" x 1-1/2".

CONSTRUCTION: 1-1/2" x 1-1/2" 12 gauge square steel post attached by swivel bolt to welded 10 gauge steel plate mount.

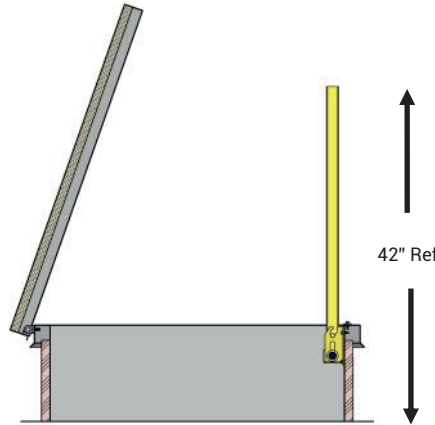
WEIGHT: 8 lbs.

FINISH: Safety yellow powder-coated.

MOUNTING: Mounts to front inside of the curb with six self-tapping 3/8"-14 screws.

TESTING: 200 lbs design load rating.

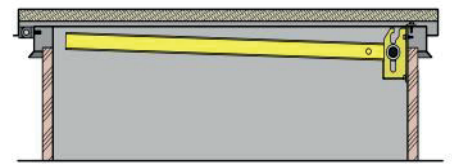
NOTES:
We recommend a Saf-T-Hatch rail system in addition to the EZ-Up LP-6 Safety Post for greater safety.



Extended Position



Post in Extended Position



Stowed Position

For a complete list of options visit www.AccessDoorsAndPanels.com

PROJECT DATA

Custom Sizes Available - Fast!

Scan or Click



To view Pricing and Additional Product Info.

PROJECT NAME :	QTY	W	H	OPTIONS
ARCHITECT :				
DEALER :				
CONTRACTOR :				
LOCATION :	SPECIAL INSTRUCTIONS :			
DATE :	SUBMITTAL APPROVAL : (signature or stamp)			
TAGGING INSTRUCTIONS :				

TELEPHONE:
1-888-457-1275
FAX:
1-888-626-2907



PO BOX 66738 #76520,
SAINT LOUIS, MO
63166-6738
USA



WEBSITE:
www.AccessDoorsAndPanels.com
E-MAIL:
info@AccessDoorsAndPanels.com