

**APPLICATION**

LMS is an insulated folding attic ladder designed to provide safe and easy access to non-inhabited spaces. It eliminates a need for installing more expensive and space consuming staircases. Insulated metal model LMS is recommended for garages, inside houses, projects with insulation requirements.

**SPECIFICATIONS**

**HATCH:**  
 Insulated, sandwich type, beige  
 Thickness: 1 3/8"  
 Thermal insulation thickness: 1 1/8"  
 Hatch equipped with a lock.

**FRAME:**  
 Pinewood.  
 Height: 5 1/2"  
 Gasket: 1 pcs

**LADDER:**  
 Metal  
 Ladder width: 15"  
 Stringer height: 3 1/8"  
 Distance between steps: 9 7/8"

**STEPS:**  
 Metal, equipped with anti-slip profile.  
 Step width: 3 1/8"  
 Length: 13 1/4"

**STANDARD ACCESSORIES:**  
 Stile ends control rod for opening the hatch.



**DIMENSIONS AND APPEARANCE**

>> CLICK TO VIEW ADDITIONAL DETAILS AND PRICING <<

**DIMENSIONS:**

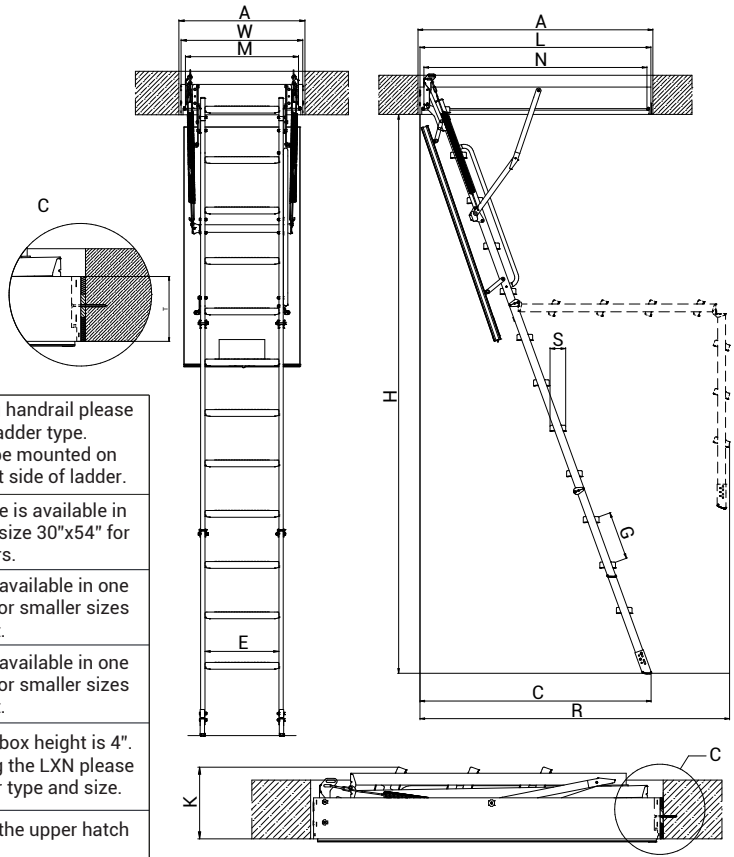
Rough Opening	Room Height
22 1/2" x 47"	7' 9" - 9' 4"
25" x 47"	
22 1/2" x 54"	7' 9 5/8" - 10' 2"
25" x 54"	
30" x 54"	

**TECHNICAL PARAMETERS:**

Maximum loading	400 lbs
Heat transfer coefficient	R-value: 5.3

**COMPATIBLE ACCESSORIES:**

Metal handrail LXH	While ordering handrail please provide attic ladder type. Handrail can be mounted on the left or right side of ladder.
Ladder Balustrade LXB-U	The balustrade is available in one standard size 30"x54" for all attic ladders.
Wooden trim LXL-W	The trims are available in one size 30"x54" for smaller sizes have to be cut.
PCV trim LXL-PVC	The trims are available in one size 30"x54" for smaller sizes have to be cut.
Box extension LXN	The standard box height is 4". While ordering the LXN please provide ladder type and size.
Box extension LXN	The height of the upper hatch box is 7 3/4"
Installation brackets LXX	Maximum ceiling 13 3/4"



For more details see the second page

For a complete list of options visit [www.AccessDoorsAndPanels.com](http://www.AccessDoorsAndPanels.com)

**PROJECT DATA**

Scan or Click



To view Pricing and Additional Product Info.

PROJECT NAME :	QTY	W	H	OPTIONS
ARCHITECT :				
DEALER :				
CONTRACTOR :				
LOCATION :	SPECIAL INSTRUCTIONS :			
DATE :				
TAGGING INSTRUCTIONS :	SUBMITTAL APPROVAL : (signature or stamp)			

TELEPHONE:  
 1-888-457-1275  
 FAX:  
 1-888-626-2907








PO BOX 66738 #76520,  
 SAINT LOUIS, MO  
 63166-6738  
 USA



WEBSITE:  
[www.AccessDoorsAndPanels.com](http://www.AccessDoorsAndPanels.com)  
 E-MAIL:  
[info@AccessDoorsAndPanels.com](mailto:info@AccessDoorsAndPanels.com)

# LMS

# METAL FOLDING ATTIC LADDER - FAKRO

						
LMS		22½ x 47	25 x 47	22½ x 54	25 x 54	30 x 54
Manufacturer's part number		869491	869494	869237	869495	869496
Ceiling height	H	7'9" - 9' 4"			7'9½" - 10'2"	
Rough opening	AxB	22½" x 47"	25" x 47"	22½" x 54"	25" x 54"	30" x 54"
Outside frame dimensions	WxL	22" x 46⅝"	24½" x 46⅝"	22" x 53½"	24½" x 53½"	29½" x 53½"
Inside frame dimensions	MxN	20½" x 44⅞"	23" x 44⅞"	20½" x 51¾"	23" x 51¾"	28½" x 51¾"
Projection	R	63"			66½"	
Landing space	C	40" - 47"			40½" - 51"	
Folded ladder height	K	10"				
Frame height		5½"				

