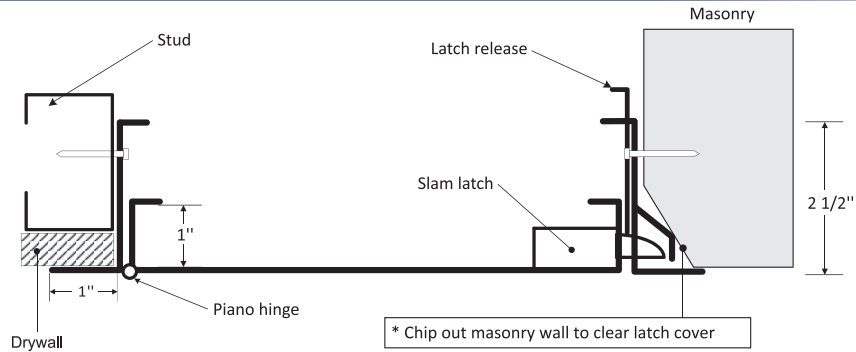


HEAVY DUTY ACCESS DOOR
 FOR LARGE OPENINGS

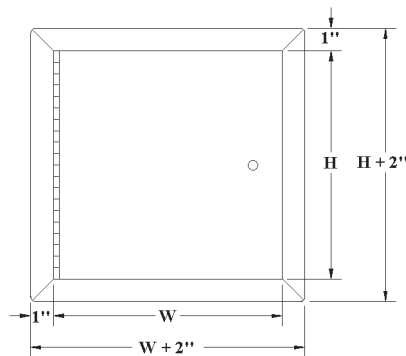
LHD
INSTALLATION

DIMENSIONS AND APPEARANCE

LEED ready: This product contributes to LEED® credits.

DOOR SIZE - W x H INCHES (MM)	NUMBER OF LOCKS	WEIGHT LBS KG
48 x 48 (609 x 914)	2	64 29

Any size made in record time

Rough wall opening = door size + 1/4" or + 6mm

**Your odd sizes:
Made in 5 days**

DESCRIPTION AND MATERIAL SPECIFICATION

Material: 16 gauge cold rolled steel
Hinge: continuous piano hinge
Lock / latch: self latching tool-key operated slam latch and/or ring operated slam latch, both included
Inside panel release: standard on all doors
Finish: high quality white powder coat primer
Packaging : individually wrapped, 1 per box

POPULAR OPTIONS

 For complete list of options go to: www.accessdoorsandpanels.com

Material: stainless steel 304 #4 (brushed finish),
Lock / latch: key operated cylinder cam latch, handle operated slam latch, mortise preparation for cylinder (cylinder optional), mortise deadbolt lock
Design: double leaf


PROJECT DATA

PROJECT NAME:	QTY	W	H	OPTIONS
ARCHITECT:				
DEALER:				
CONTRACTOR:				
LOCATION:	SPECIAL INSTRUCTIONS:			
DATE:				
TAGGING INSTRUCTIONS:	SUBMITTAL APPROVAL: (signature or stamp)			

Email: info@accessdoorsandpanels.com
Website: www.accessdoorsandpanels.com

Phone: 1-800-609-2917
Fax: 1-888-626-2907

Address:
 P.O. Box 66738 #76520 Saint
 Louis, IVD 63166-6738