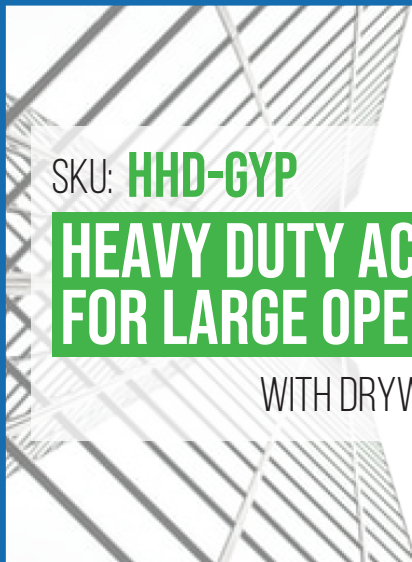


# SUBMITTAL/TECHNICAL DATA SHEET



## STANDARD OPTIONS

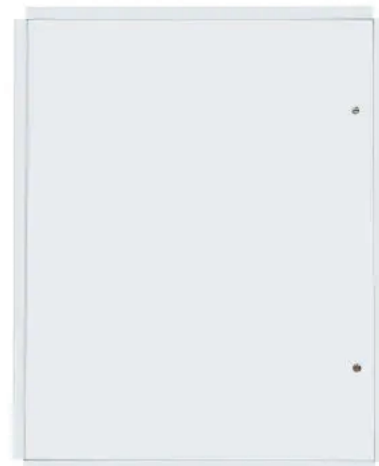
- MATERIAL:**  
16 gauge cold rolled steel
- HINGE:**  
Continuous piano hinge
- LOCK / LATCH:**  
Screwdriver-operated cylinder cam latch
- FINISH:**  
High quality white powder coat primer
- PACKAGING:**
- Individually wrapped
  - 1 Per box



SKU: **HHD-GYP**

## HEAVY DUTY ACCESS DOOR FOR LARGE OPENINGS

WITH DRYWALL BEAD FLANGE

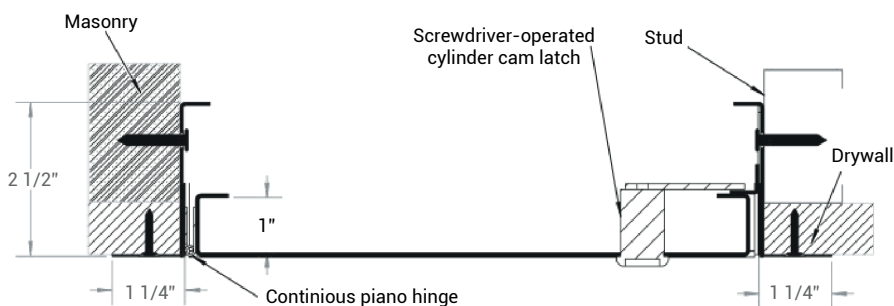


## OPTIONS AVAILABLE

- MATERIAL:**  
Stainless steel 304 #4 (brushed finish)
- LOCK / LATCH:**
- Key operated cylinder cam latch
  - Handle operated cam latch
  - Mortise preparation for cylinder (cylinder optional)
  - Mortise deadbolt lock
- DESIGN:** Double leaf



## INSTALLATION

>> [CLICK TO VIEW ADDITIONAL DETAILS AND PRICING <<](#)



## DIMENSIONS AND APPEARANCE

For a complete list of options visit [www.AccessDoorsAndPanels.com](http://www.AccessDoorsAndPanels.com)

Scan  or  Click



To view Pricing and Additional Product Info.

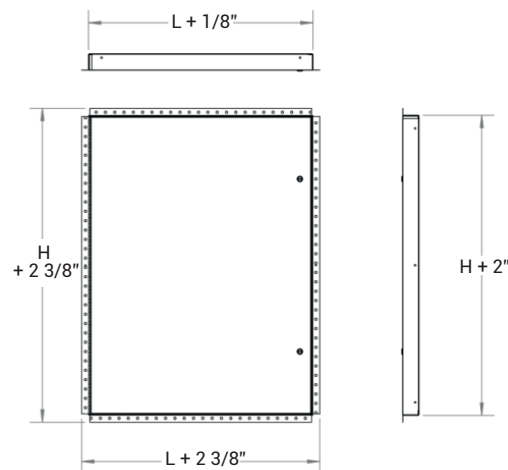
**LEED READY: THIS PRODUCT CONTRIBUTES TO LEED® CREDITS**



### STANDARD SIZES:

DOOR SIZE W x H INCHES (MM)	NUMBER OF LOCKS	WEIGHT LBS	KG
48 x 48 (1219 x 1219)	2	61.1	27.7

Rough wall opening = door size + 1/4" or + 6mm



## PROJECT DATA

Custom Sizes Available - Fast!

PROJECT NAME :	QTY	W	H	OPTIONS
ARCHITECT :				
DEALER :				
CONTRACTOR :				
LOCATION :	SPECIAL INSTRUCTIONS :			
DATE :	SUBMITTAL APPROVAL : (signature or stamp)			
TAGGING INSTRUCTIONS :				

TELEPHONE:  
1-888-457-1275

FAX:  
1-888-626-2907



PO BOX 66738 #76520,  
SAINT LOUIS, MO  
63166-6738  
USA



WEBSITE:  
[www.AccessDoorsAndPanels.com](http://www.AccessDoorsAndPanels.com)

E-MAIL:  
[info@AccessDoorsAndPanels.com](mailto:info@AccessDoorsAndPanels.com)