

SUBMITTAL/TECHNICAL DATA SHEET



STANDARD OPTIONS

- MATERIAL:**
16 gauge cold rolled steel
- HINGE:**
Continuous piano hinge
- LOCK / LATCH:**
Screwdriver-operated cylinder cam latch
- FINISH:**
High quality white powder coat primer
- PACKAGING:**
- Individually wrapped
 - 1 Per box



SKU: **HHD-GS**

HEAVY DUTY ACCESS DOOR

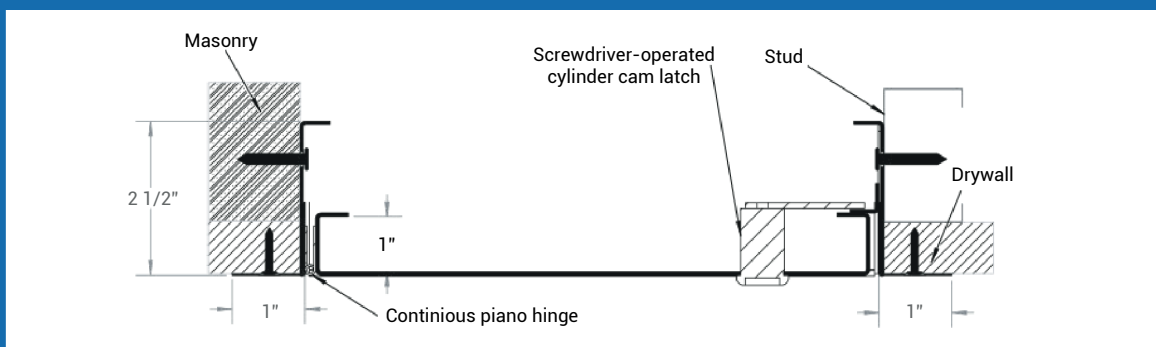
FOR LARGE OPENINGS WITH EXPOSED FLANGE

OPTIONS AVAILABLE

- MATERIAL:**
Stainless steel 304 #4 (brushed finish)
- LOCK / LATCH:**
- Key operated cylinder cam latch
 - Handle operated cam latch
 - Mortise preparation for cylinder (cylinder optional)
 - Mortise deadbolt lock
- DESIGN:** Double leaf

INSTALLATION

>> [CLICK TO VIEW ADDITIONAL DETAILS AND PRICING <<](#)



DIMENSIONS AND APPEARANCE

For a complete list of options visit www.AccessDoorsAndPanels.com

Scan or Click

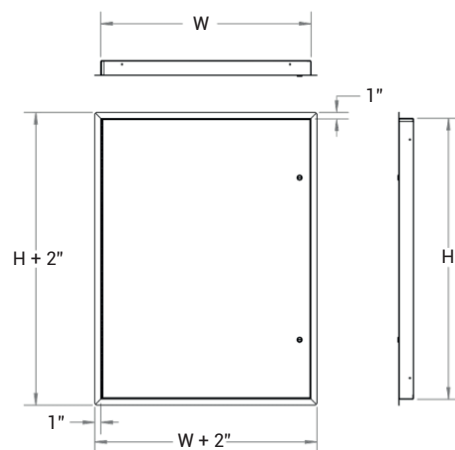


To view Pricing and Additional Product Info.

STANDARD SIZES:

DOOR SIZE W x H INCHES (MM)	NUMBER OF LOCKS	WEIGHT	
		LBS	KG
48 x 48 (1219 x 1219)	2	62.9	28.5

Rough wall opening = door size + 1/4" or + 6mm



PROJECT DATA

Custom Sizes Available - Fast!

PROJECT NAME :	QTY	W	H	OPTIONS
ARCHITECT :				
DEALER :				
CONTRACTOR :				
LOCATION :	SPECIAL INSTRUCTIONS :			
DATE :				
TAGGING INSTRUCTIONS :	SUBMITTAL APPROVAL : (signature or stamp)			

LEED READY: THIS PRODUCT CONTRIBUTES TO LEED® CREDITS



TELEPHONE:
1-888-457-1275

FAX:
1-888-626-2907



PO BOX 66738 #76520,
SAINT LOUIS, MO
63166-6738
USA



WEBSITE:
www.AccessDoorsAndPanels.com

E-MAIL:
info@AccessDoorsAndPanels.com