

RECESSED ACCESS DOOR FOR EXTERIOR CEILINGS

# GFRC-R

## GLASS FIBER REINFORCED CEMENT RADIUS CORNER

**Application**

Glass fiber reinforced cement, ceiling access doors are designed to blend seamlessly into exterior soffits/ceilings

**Product Features**

- Portland Cement, Fiber, Post Consumer Recycled Glass
- Tapered edge for joint tape
- Easily textured
- Lightweight
- No cracking or shrinkage
- Mold and moisture resistant

**GFRC-R ACCESS DOOR SPECIFICATIONS:**

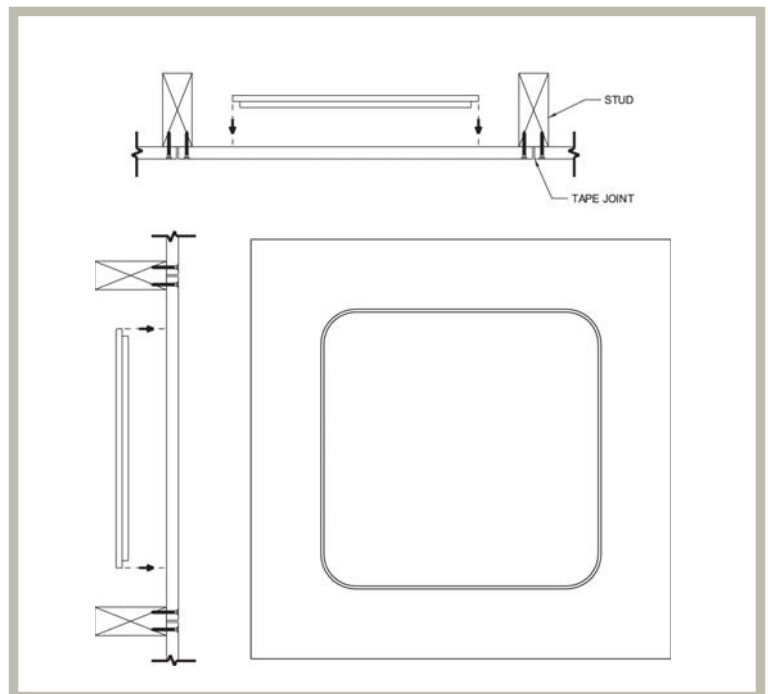
- Shell Thickness = .125" .375"
- Fastener Test Pull Out (wood stud) = 525 lb. avg.
- Fastener Test Pull Out (metal stud) = 525 lb. avg.
- Fastener Push Through Test = 350 lb. avg.
- Fuel Contribution (ASTM-E84-80) = 0
- Flame Spread (ASTM-E84-80) = 0
- Smoke Index (ASTM-E84-80) = 0
- Combustion (ASTM-E84-80) = 0

**GFRC-R STANDARD SIZES**

*(Special sizes available upon request)*

Door Size	Ceiling Opening	Weight
Inches (mm)	Inches (mm)	LBS (kg)
9 x 9 (229 x 229)	15 x 15 (381 x 381)	6.0 (2.73)
12 x 12 (305 x 305)	18 x 18 (457 x 457)	9.0 (4.09)
16 x 16 (406 x 406)	22 x 22 (559 x 559)	10.0 (4.53)
18 x 18 (457 x 457)	24 x 24 (610 x 610)	11.0 (5.0)
24 x 24 (610 x 610)	30 x 30 (762 x 762)	16.0 (7.27)

For detailed specifications see submittal sheet



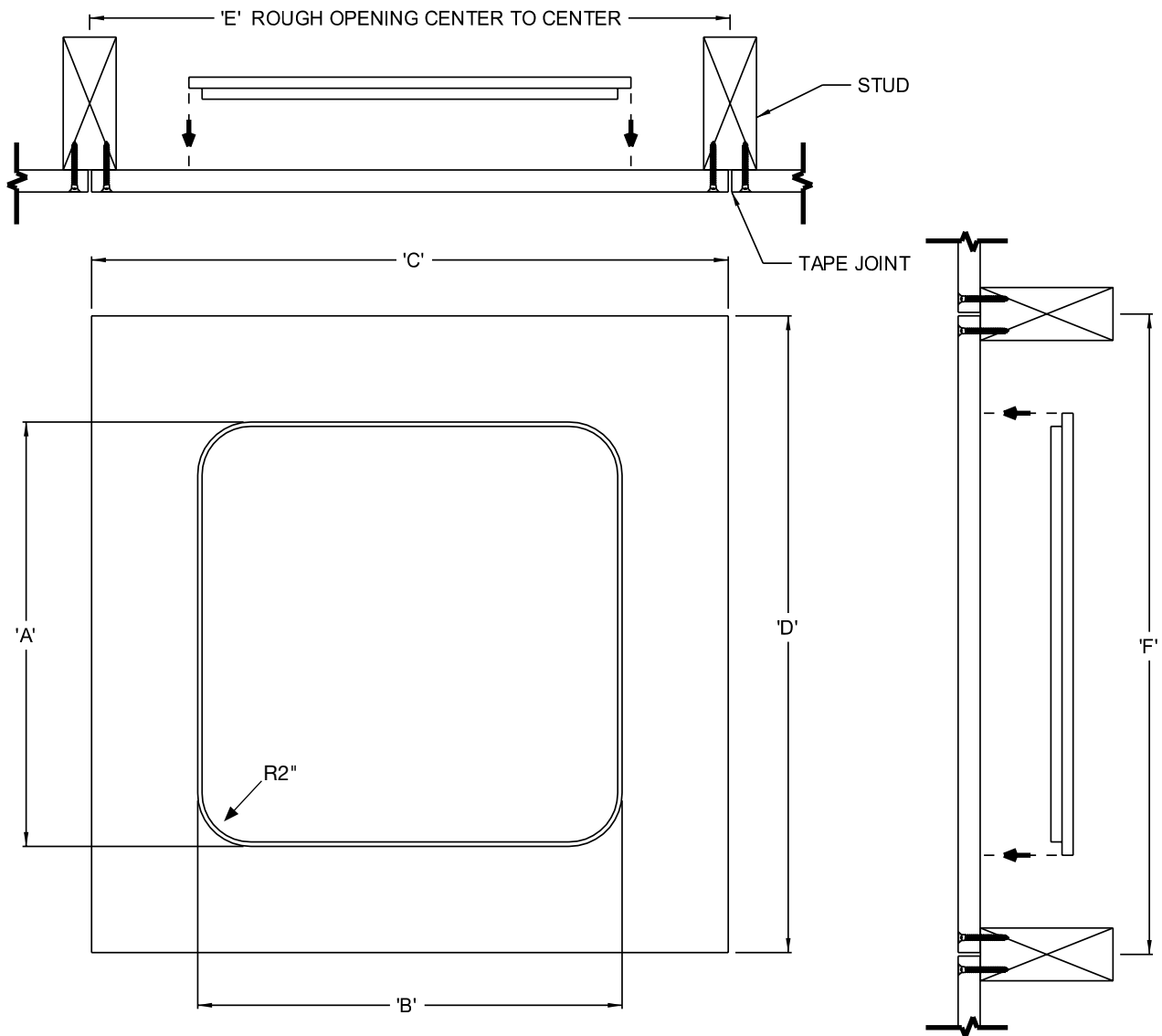


For more information, contact AccessDoorsAndPanels  
 www.AccessDoorsAndPanels.com  
 Phone: 1-800-609-2917  
 Fax: 1-888-626-2907  
 Email: info@accessdoorsandpanels.com  
 www.AccessDoorsAndPanels.com

# GFRG-R

## RADIUS CORNER POP-OUT ACCESS PANEL

QTY.	NOMINAL SIZE	A	B	C	D	E	F
	9" x 9" (229 x 229)	9" (229)	9" (229)	15" (381)	15" (381)	15" (381)	15" (381)
	12" x 12" (305 x 305)	12" (305)	12" (305)	18" (457)	18" (457)	18" (457)	18" (457)
	16" x 16" (406 x 406)	16" (406)	16" (406)	22" (559)	22" (559)	22" (559)	22" (559)
	18" x 18" (457 x 457)	18" (457)	18" (457)	24" (610)	24" (610)	24" (610)	24" (610)
	24" x 24" (610 x 610)	24" (610)	24" (610)	30" (762)	30" (762)	30" (762)	30" (762)
	22" x 30" (559 x 762)	22" (559)	22" (559)	28" (711)	36" (711)	28" (711)	36" (711)
	30" x 30" (762 x 762)	30" (762)	30" (762)	36" (914)	36" (914)	36" (914)	36" (914)



JOB NAME:  
 CUSTOMER:

APPROVED BY:  
 DATE: