

MODEL NUMBER AND OPTIONS SELECTION

Suffix Options

"No Available Options"

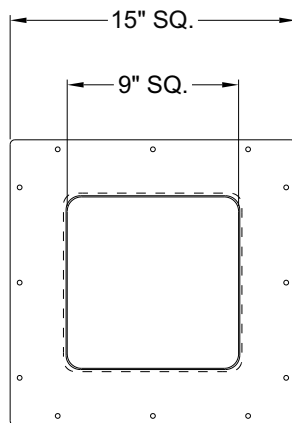
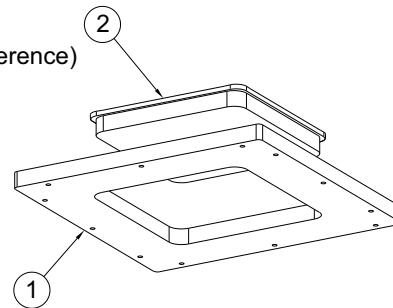
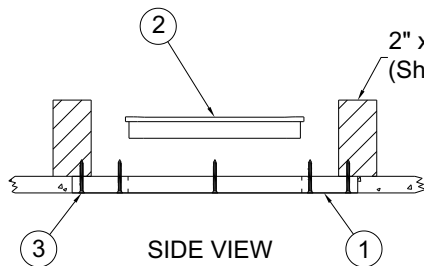
BASE MODEL NUMBER

GFG Gypsum Fiber Glass

STANDARD AVAILABLE SIZES

Special sizes available upon request.

NOMINAL DOOR SIZE (W X H)	ROUGH OPENING	WEIGHT
9" x 9"	15" x 15"	6 lbs.
12" x 12"	18" x 18"	9 lbs.
16" x 16"	22" x 22"	10 lbs.
18" x 18"	24" x 24"	11 lbs.
22" x 30"	28" x 36"	16 lbs.
24" x 24"	30" x 30"	16 lbs.
30" x 30"	36" x 36"	20 lbs.



FRONT VIEW

NOTES:

- 1. Panel Frame
- 2. Door
- 3. Mounting Hardware (By Others)

WARNING: Cancer and Reproductive Harm - www.P65Warnings.ca.gov

Dimensions are subject to manufacturer's tolerance of plus or minus 1/4". Elmdor/Stoneman assumes no responsibility for use of void or suspended data. © Copyright 2009 Elmdor/Stoneman, City of Industry, CA, A Division of Acorn Engineering Company.

SELECTION SUMMARY & APPROVAL FOR MANUFACTURING

Model Number & Options _____	Quantity _____
Company _____	Date _____
Contact _____	Title _____
Approval for Manufacturing/Signature _____	

GFG

Revised: 08/31/18