

AccessDoorsAndPanels

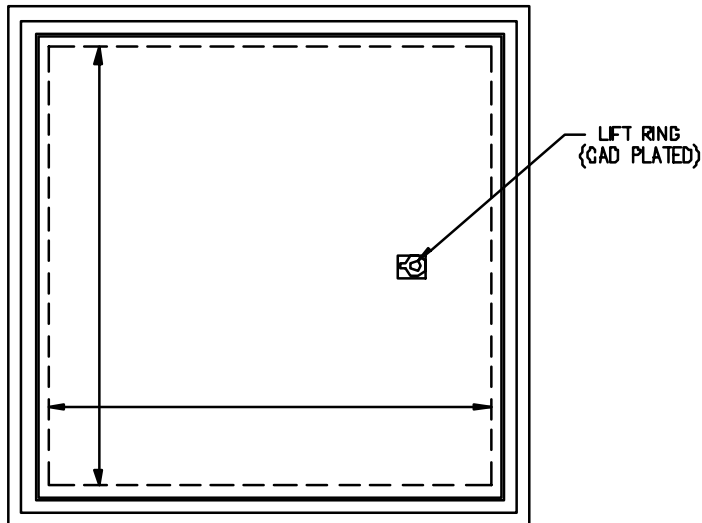
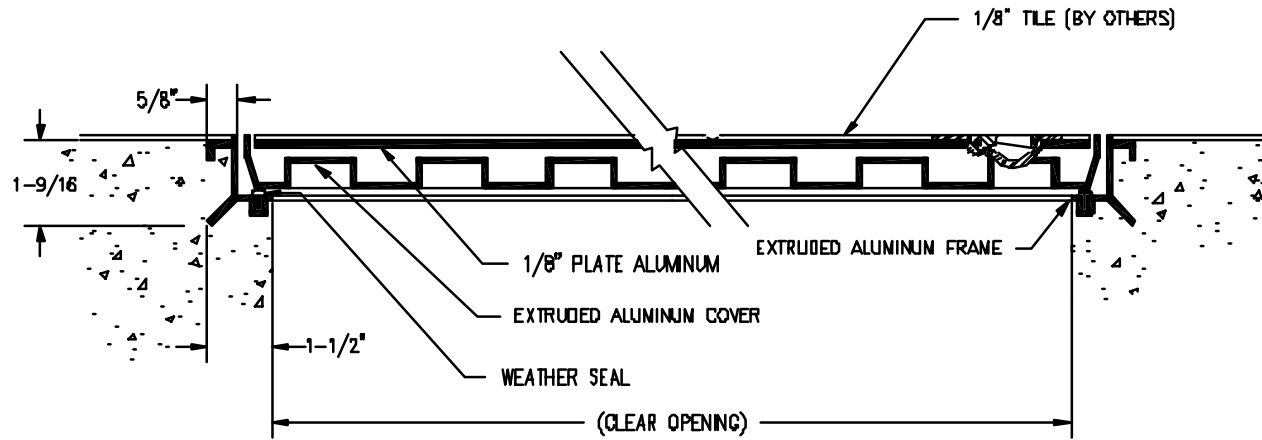
Address: PO Box 66738 #76520, Saint Louis, MO 63166-6738
 Phone: 1-800-609-2917 Fax: 1-888-626-2907
 Website: www.AccessDoorsAndPanels.com
 Email: info@AccessDoorsAndPanels.com

EXTRUDED ALUM. CONSTRUCTION FLOOR DOOR

MATERIAL SCHEDULE			
QUANTITY	SIZE	COVER	FRAME



DEALER	
PROJECT	
LOCATION	
ARCH.	
CONT'D	
DATE	DRAWN
REV	JOB NO.
F-62-68	SHEET

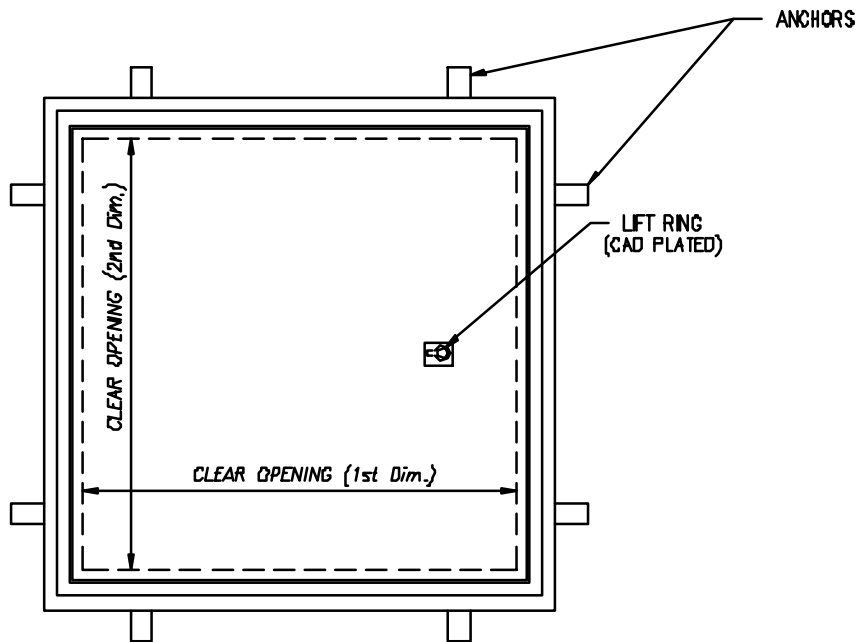
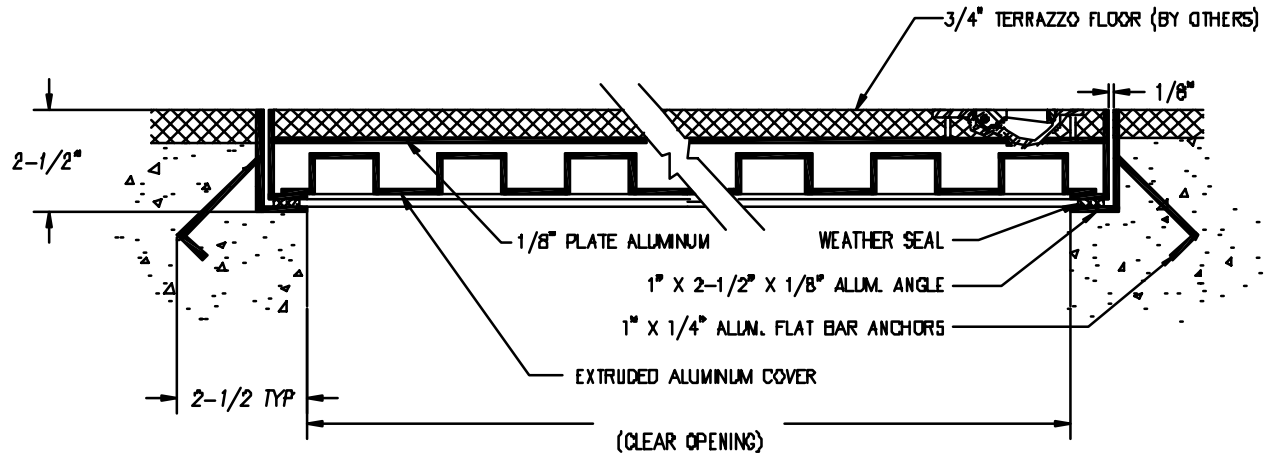


EXTRUDED ALUM. CONSTRUCTION FLOOR DOOR

MATERIAL SCHEDULE			
QUANTITY	SIZE	COVER	FRAME

COMMERCIAL PRODUCTS GROUP
MILCOR 494 Thomas Drive
 Bensenville, IL 60106
 800 824-8847 Fax: 630 768-6268

DEALER	
PROJECT	
LOCATION	
ARCH.	
CDNTD	
DATE	DRAWN
REV	JOB NO.
T-62-64	SHEET



EXTRUDED ALUM. CONSTRUCTION FLOOR DOOR			
MATERIAL SCHEDULE			
QUANTITY	SIZE	COVER	FRAME
COMMERCIAL PRODUCTS GROUP MILCOR 404 Thomas Drive Bensenville, IL 60106 800 824-8842 FAX 630 788-5839			
DEALER			
PROJECT			
LOCATION			
ARCH.			
CON'D			
DATE		DRAWN	
REV		JOB NO.	
7-62-68		SHEET	