
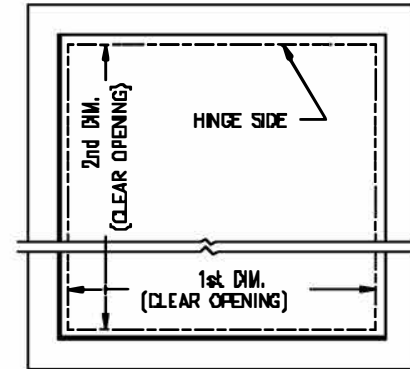
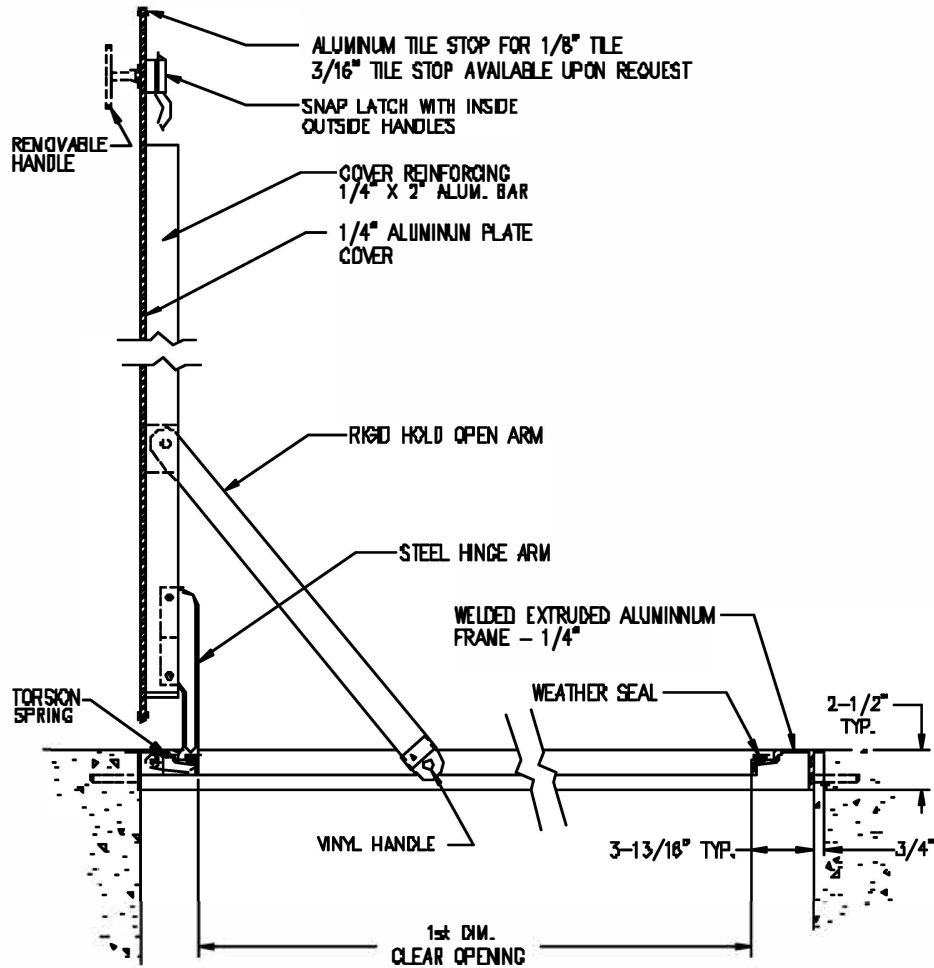


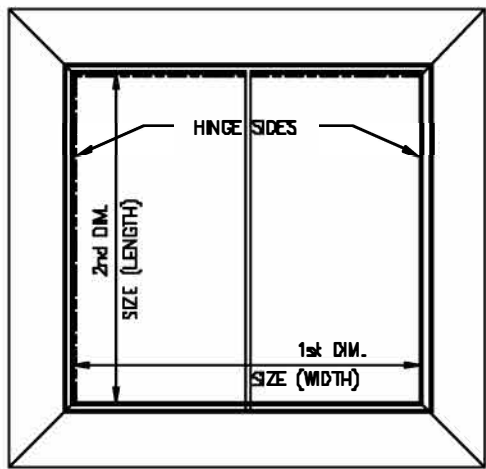
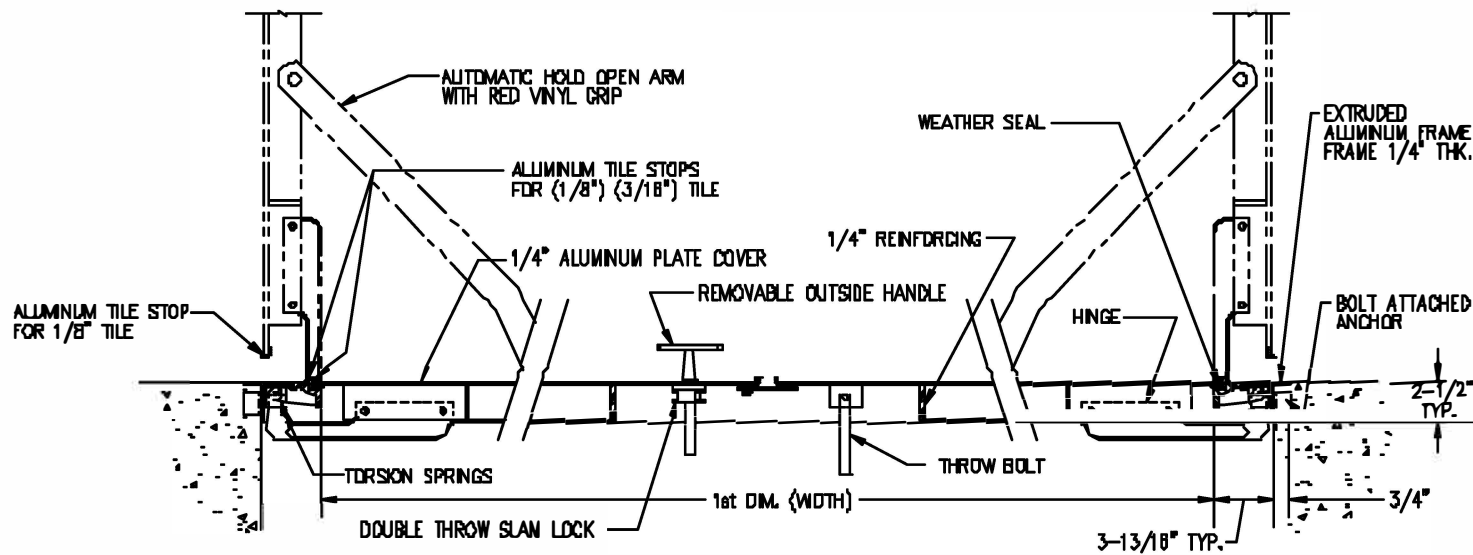
AccessDoorsAndPanels

Address: PO Box 66738 #76520, Saint Louis, MO 63166-6738
 Phone: 1-800-609-2917 Fax: 1-888-626-2907
 Website: www.AccessDoorsAndPanels.com
 Email: info@AccessDoorsAndPanels.com

DOUBLE LEAF FLUSH ALUM. CONSTR. FL. DR.			
MATERIAL SCHEDULE			
QUANTITY	SIZE	COVER	FRAME
 MilcoR ACCESS DOORS AND PANELS <small>Your Access Door SuperStore</small>			
DEALER			
PROJECT			
LOCATION			
ARCH.			
QTY			
DATE	DRAWN		
REV	JOB NO.		
F-4848-6	SHEET		



ALUMINUM CONSTRUCTION TILE FLOOR DOOR			
MATERIAL SCHEDULE			
QUANTITY	SIZE	COVER	FRAME
MILCOR COMMERCIAL PRODUCTS GROUP 484 Thomas Drive Seneca, S.C. 29168 phone: (800) 624-8042 fax: 1-850-765-8208			
DEALER			
PROJECT			
LOCATION			
ARCH.			
SQFT			
DATE		DRAWN	
REV		JOB NO.	
7-2424-3		SHEET	



DOUBLE LEAF TILE FLOOR DOOR			
MATERIAL SCHEDULE			
QUANTITY	SIZE	COVER	FRAME
MILCOR COMMERCIAL PRODUCTS GROUP 484 Thomas Drive Evansville, IN 47116 800 824-8542 FAX 813 706-8889			
DEALER			
PROJECT			
LOCATION			
ARCH.			
CDNTD			
DATE		DRAWN	
REV		JOB NO.	
T-4848-0		SHEET	