



JL INDUSTRIES

SUBMITTAL/TECHNICAL DATA SHEET

DESCRIPTIONS

This architectural floor door is designed to accommodate the installation of 1/8" tile or carpet.

SPECIFICATIONS

FRAME MATERIAL: 1/4" x 3"x 3" angle aluminum with 1/8" lip for flooring infill and bolt-on masonry anchors.

DOOR MATERIAL: 1/4" aluminum smooth plate with 1/8" lip for flooring infill.

STANDARD FINISH: Mill.

LATCH: Zinc plated steel slam latch with flush key operator on exterior and handle opener on inside. Chrome plated 5/16" steel square key included.

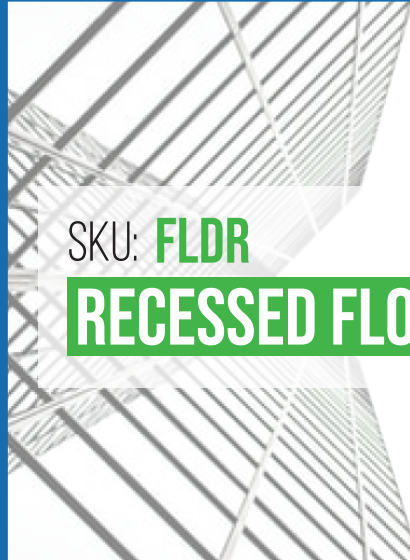
HINGE: Aluminum arm-type hinge with 304 stainless steel bolts.

SPRING: Cold-rolled steel 3/16" round torsion bar.*

HOLD OPEN ARM: Aluminum automatic locking hold open arm with red vinyl grip handle.*

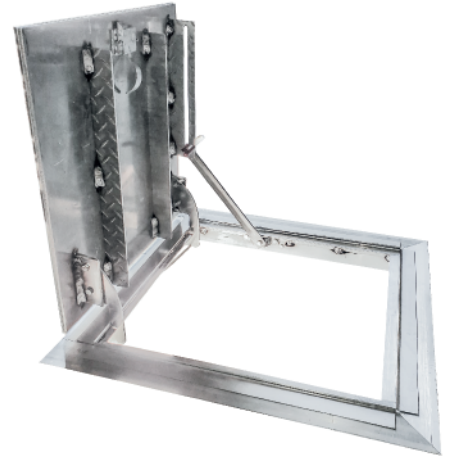
LOAD: 150psf

SIZES:
Minimum 24" x 24"
Maximum 60" x 60"



SKU: **FLDR**

RECESSED FLOOR DOOR



DIMENSIONS AND APPEARANCE

>> CLICK TO VIEW ADDITIONAL DETAILS AND PRICING <<

STANDARD SIZES:

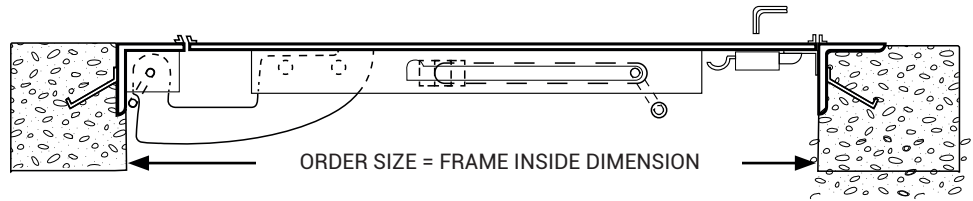
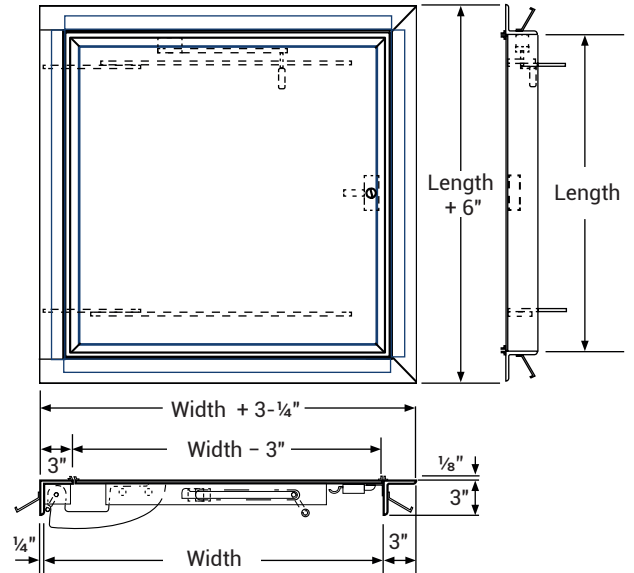
MODEL	ORDER SIZE		DOORS	APPROX. WEIGHT
	WIDTH	LENGTH		
FLDR-2424S*	24"	24"	Single	60
FLDR-3030S	30"	30"	Single	75
FLDR-3036S	30"	36"	Single	88
FLDR-3636S	36"	36"	Single	100
FLDR-4242S	42"	42"	Single	135

ORDER SIZE = FRAME INSIDE DIMENSION

* Hold open arm & spring not available on 24" x 24"

ADDITIONAL OPTIONS:

- - 304 Stainless steel slam latch - SS
- - Bituminous coating on outer frame - BIT
- - Neoprene Gasketing - NG
- - Door and frame with 3/16" lip for flooring infill - RL



For detailed specifications see submittal sheet

For a complete list of options visit www.AccessDoorsAndPanels.com

PROJECT DATA

Custom Sizes Available - Fast!

PROJECT NAME :	QTY	W	H	OPTIONS
ARCHITECT :				
DEALER :				
CONTRACTOR :				
LOCATION :	SPECIAL INSTRUCTIONS :			
DATE :	SUBMITTAL APPROVAL : (signature or stamp)			
TAGGING INSTRUCTIONS :				

Scan or Click



To view Pricing and Additional Product Info.

TELEPHONE:
1-888-457-1275

FAX:
1-888-626-2907



PO BOX 66738 #76520,
SAINT LOUIS, MO
63166-6738
USA



WEBSITE:
www.AccessDoorsAndPanels.com

E-MAIL:
info@AccessDoorsAndPanels.com



SUBMITTAL

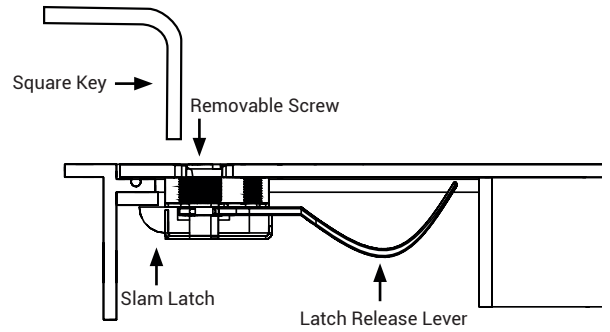
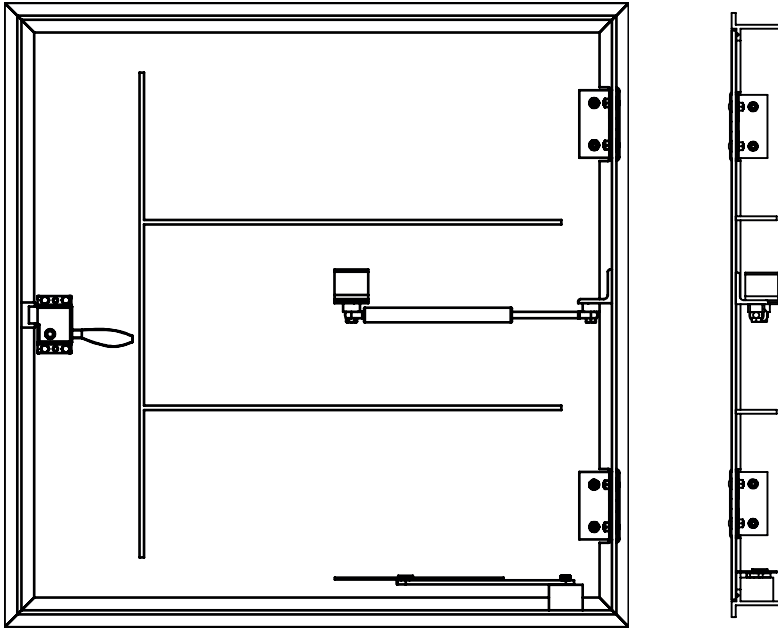
TELEPHONE:
1-888-457-1275
FAX:
1-888-626-2907

PO BOX 66738 #76520,
SAINT LOUIS, MO
63166-6738
USA

WEBSITE:
www.AccessDoorsAndPanels.com
E-MAIL:
info@AccessDoorsAndPanels.com

FLDR

ANGLED EXISTING FLOOR DOOR



Latch Detail

