



SUBMITTAL/TECHNICAL DATA SHEET

DESCRIPTIONS

A flush floor door with integral gutter to drain moisture away from the door opening.

SPECIFICATIONS

FRAME MATERIAL: 1/4" extruded aluminum.

DOOR MATERIAL: Reinforced 1/4" diamond aluminum plate.

STANDARD FINISH: Mill with bituminous coating on outer frame.

FRAME CONSTRUCTION: Channel frame with 1-1/2" NPT female threaded aluminum pipe fitting for water drainage.

LATCH: 304 Stainless steel slam latch with flush key operator on exterior and handle opener on inside. Removable stainless 18-8 threaded plug and 5/16" steel square key included.

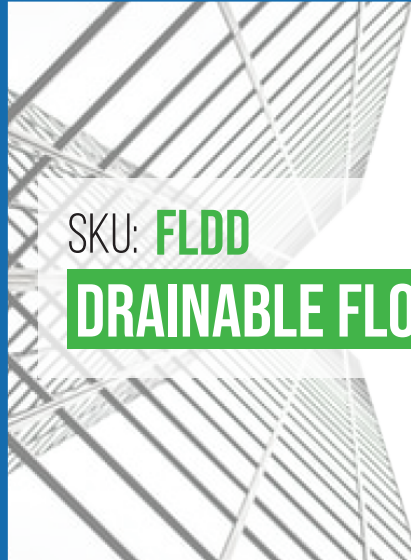
HINGE: 304 Stainless steel.

SPRING: 304 Stainless steel gas assist opener.

HOLD OPEN ARM: Stainless steel automatically locks door open.

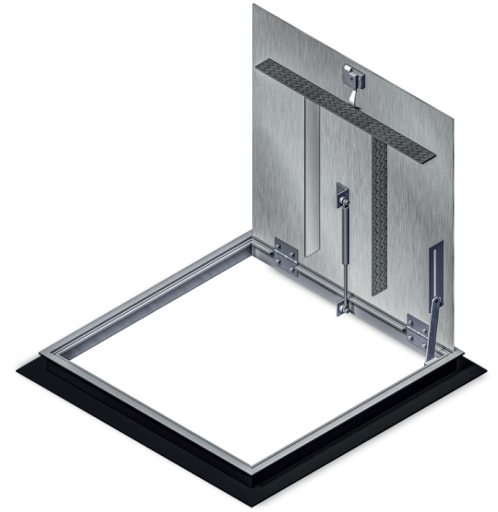
LOAD: 300 psf

SIZES:
Minimum 24" x 24"
Maximum 60" x 60"



SKU: **FLDD**

DRAINABLE FLOOR DOOR



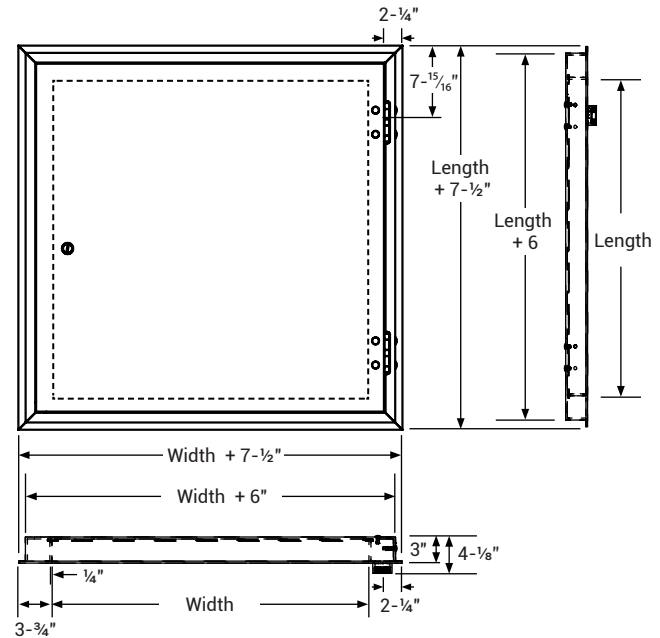
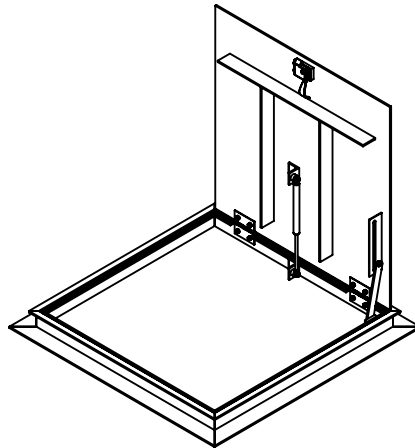
DIMENSIONS AND APPEARANCE

>> CLICK TO VIEW ADDITIONAL DETAILS AND PRICING <<

STANDARD SIZES:

MODEL	ORDER SIZE		DOORS	APPROX. WEIGHT
	WIDTH	LENGTH		
FLDD-2424S	24"	24"	Single	90
FLDD-2436S	24"	36"	Single	106
FLDD-3030S	30"	30"	Single	101
FLDD-3048S	30"	48"	Single	140
FLDD-3636S	36"	36"	Single	120
FLDD-3648S	36"	48"	Single	151
FLDD-3730S	37"	30"	Single	105
FLDD-4242S	42"	42"	Single	180
FLDD-4848S	48"	48"	Double	200
FLDD-6060D	60"	60"	Double	320

ORDER SIZE = FRAME INSIDE DIMENSION



ADDITIONAL OPTIONS:

■ Padlock Tab - PT

For detailed specifications see submittal sheet

For a complete list of options visit www.AccessDoorsAndPanels.com

PROJECT DATA

Custom Sizes Available - Fast!

Scan or Click



To view Pricing and Additional Product Info.

PROJECT NAME :	QTY	W	H	OPTIONS
ARCHITECT :				
DEALER :				
CONTRACTOR :				
LOCATION :	SPECIAL INSTRUCTIONS :			
DATE :	SUBMITTAL APPROVAL : (signature or stamp)			
TAGGING INSTRUCTIONS :				

TELEPHONE:
1-888-457-1275

FAX:
1-888-626-2907



PO BOX 66738 #76520,
SAINT LOUIS, MO
63166-6738
USA



WEBSITE:
www.AccessDoorsAndPanels.com

E-MAIL:
info@AccessDoorsAndPanels.com



SUBMITTAL

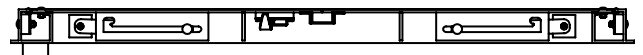
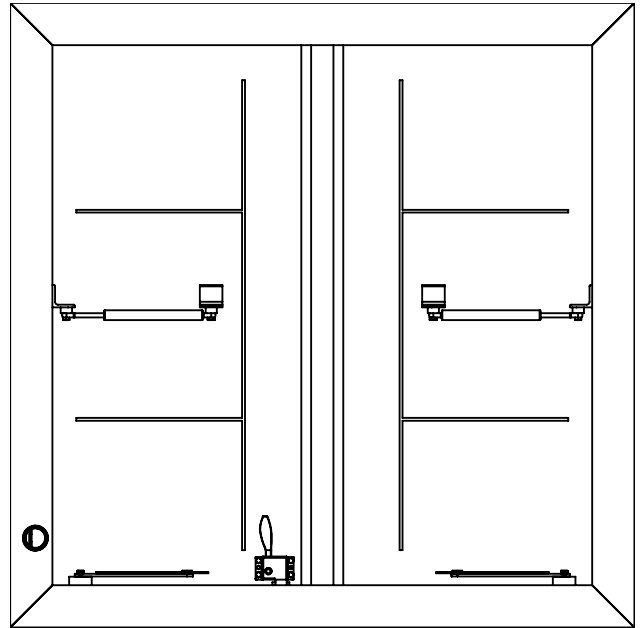
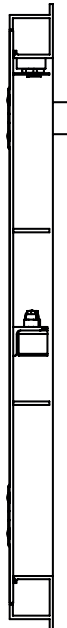
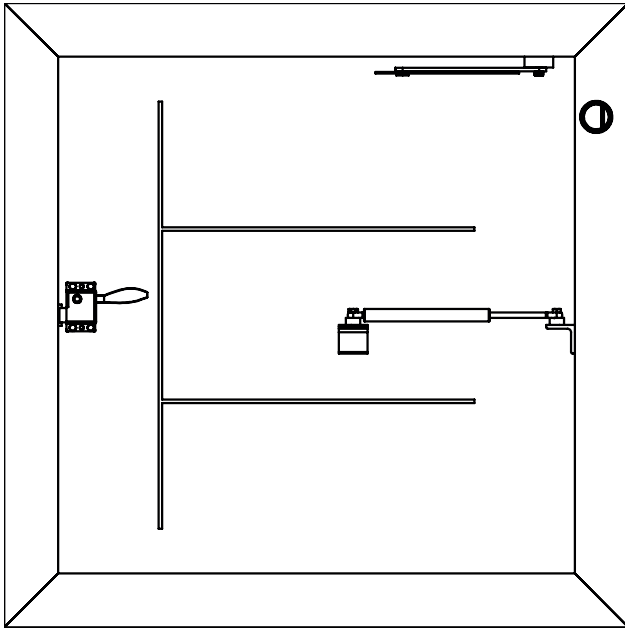
TELEPHONE:
1-888-457-1275
FAX:
1-888-626-2907

PO BOX 66738 #76520,
SAINT LOUIS, MO
63166-6738
USA

WEBSITE:
www.AccessDoorsAndPanels.com
E-MAIL:
info@AccessDoorsAndPanels.com

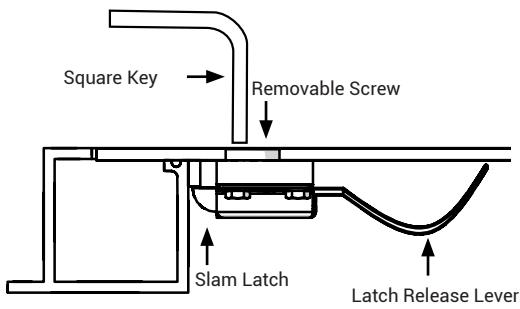
FLDD

DRAINABLE FLOOR DOOR



SINGLE DOOR

DOUBLE DOOR



LATCH DETAIL

