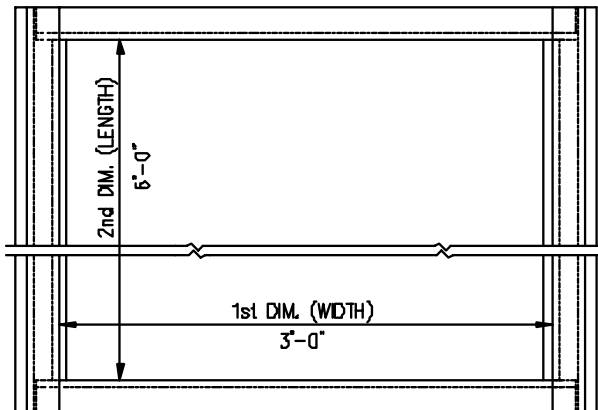
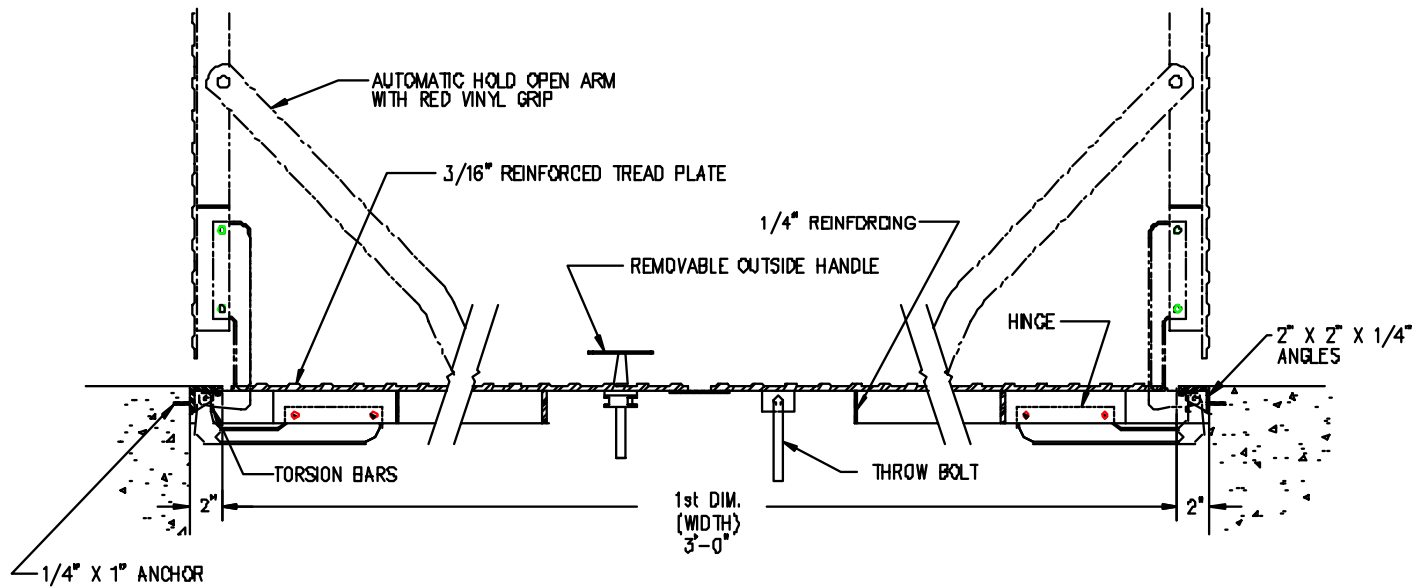


AccessDoorsAndPanels

Address: PO Box 66738 #76520, Saint Louis, MO 63166-6738
 Phone: 1-800-609-2917 Fax: 1-888-626-2907
 Website: www.AccessDoorsAndPanels.com
 Email: info@AccessDoorsAndPanels.com

FLUSH STEEL FLOOR DOOR FOR INTERIOR USE			
MATERIAL SCHEDULE			
QUANTITY	SIZE	COVER	FRAME
T.B.D.	36" x 36"	STEEL	STEEL
MILCOR		ACCESS DOORS AND PANELS Your Access Door SuperStore	
DEALER			
PROJECT			
LOCATION			
ARCH.			
PRODUCT MANAGER:			
DATE:	DRAWN		
REV	JOB NO.		
Dwg. No.: FA_1-4.dwg	SHEET		



VERIFICATION AND APPROVAL OF GENERAL ARRANGEMENT AND OVERALL DIMENSIONS OF THIS DOCUMENT ARE REQUIRED BEFORE THE ORDER IS ENTERED FOR MANUFACTURING.

APPROVAL SIGNATURE _____

TITLE HELP _____

DATE OF APPROVAL _____

DOUBLE LEAF, FLUSH, STEEL FLOOR DOOR

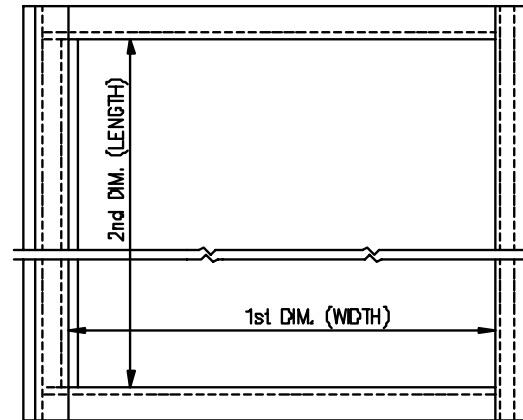
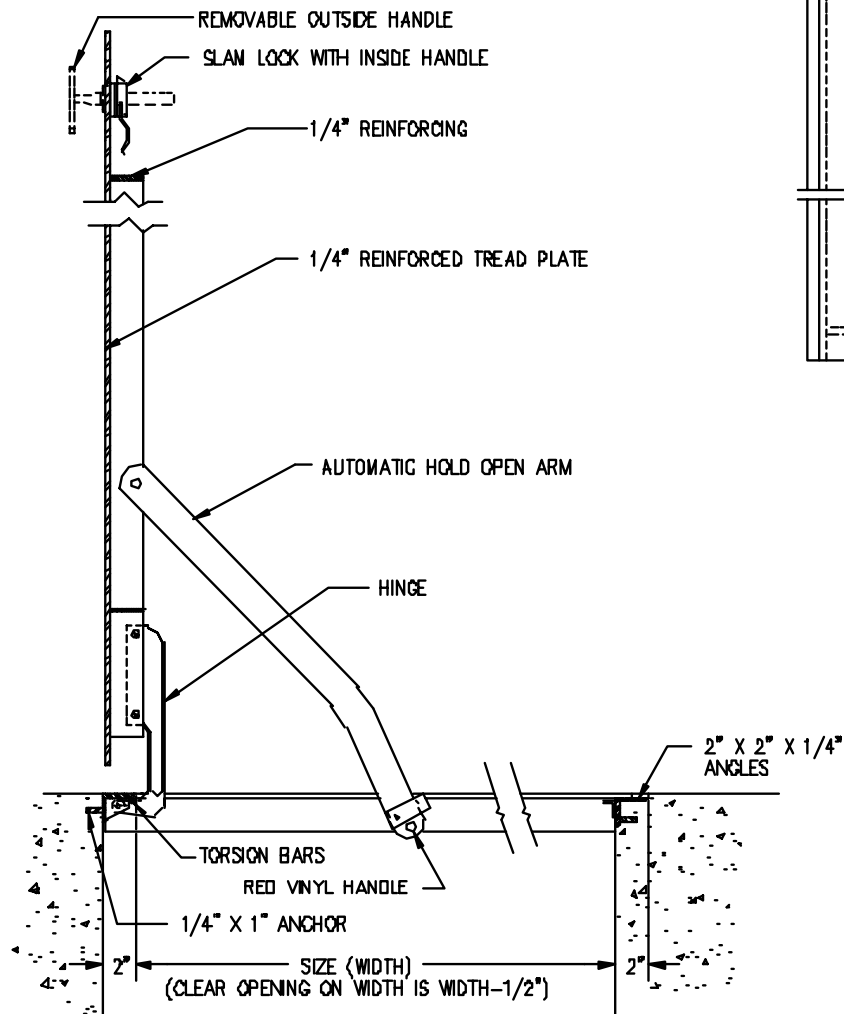
MATERIAL SCHEDULE

QUANTITY	SIZE	COVER	FRAME
	3' x 6'		PRIMED STEEL

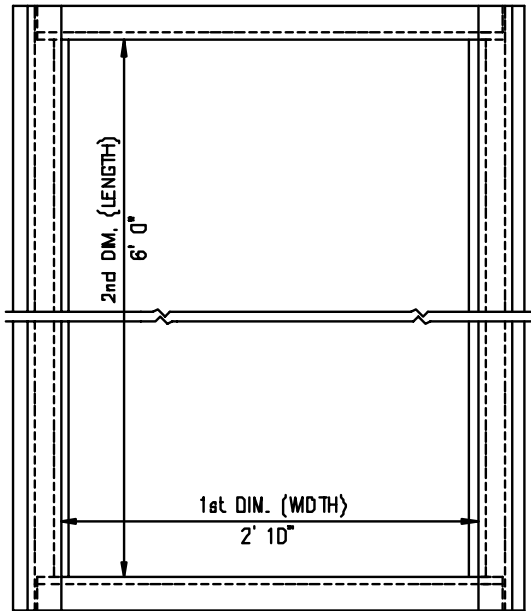
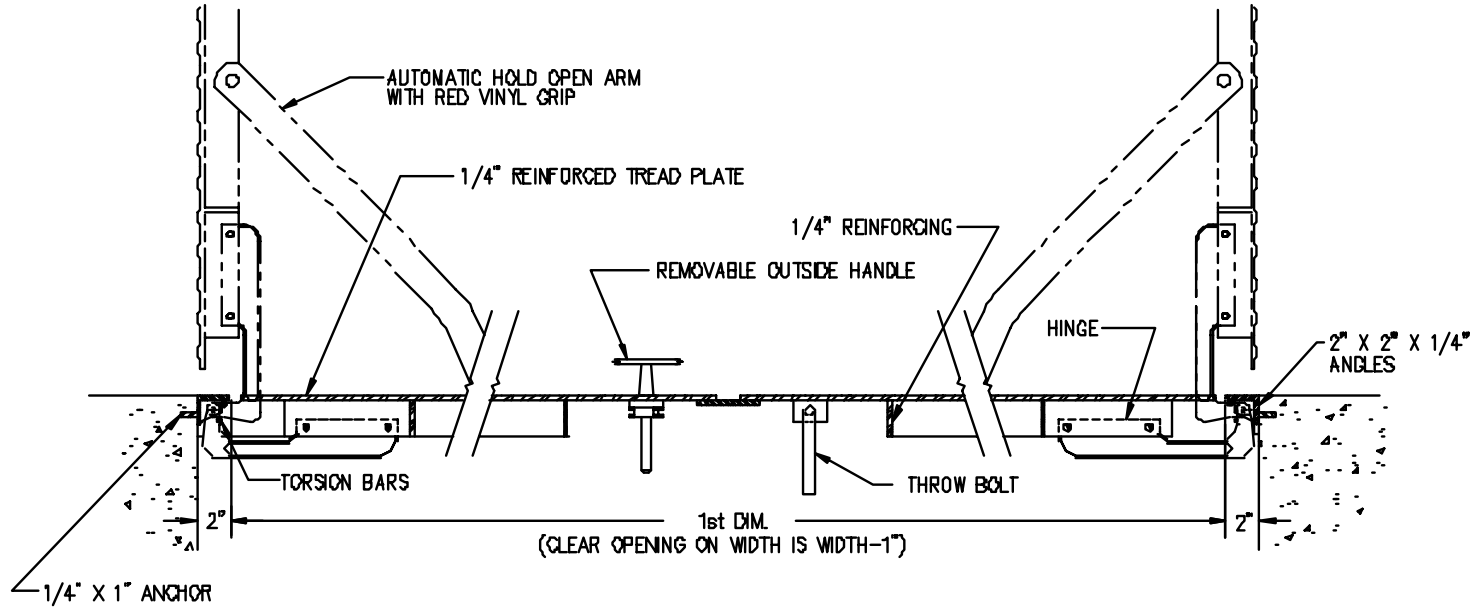
MilcoR

COMMERCIAL PRODUCTS GROUP
 484 Thomas Drive
 Bensenville, IL 60106
 phone: (800) 824-8642
 fax: 1-830-788-5254

DEALER	
PROJECT	
LOCATION	
SALES CONTACT: BOB ARRDYO	
PHONE: 414-646-8400	
DATE: FEB. 20, 2006	DRAWN
REV	JOB NO.
FA_5-11	SHEET



FLUSH ALUM. FLOOR DOOR FOR INTERIOR USE			
MATERIAL SCHEDULE			
QUANTITY	SIZE	COVER	FRAME
		ALUM.	STEEL
COMMERCIAL PRODUCTS GROUP MilcoR 484 Thomas Drive Bensenville, IL 60105 800 824-8842 Fax: 815 786-1258			
DEALER			
PROJECT			
LOCATION			
ARCH.			
CONTD			
DATE		DRAWN	
REV		JOB NO.	
FC 1-5		SHEET	

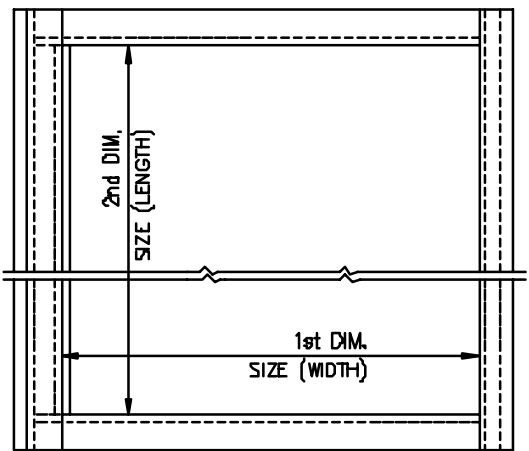
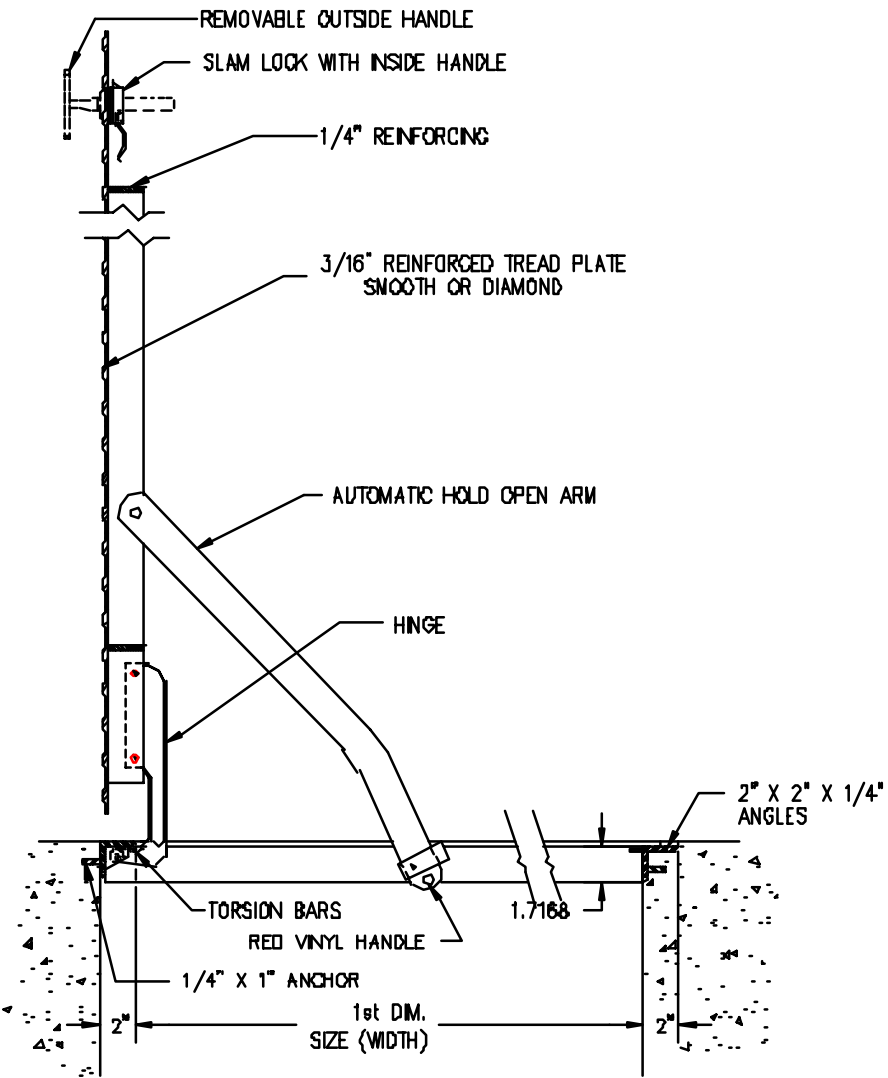


DOUBLE LEAF ALUMINUM FLUSH FLOOR DOOR

MATERIAL SCHEDULE			
QUANTITY	SIZE	COVER	FRAME
	1/4"	ALUM.	1/4" STEEL ANGLES

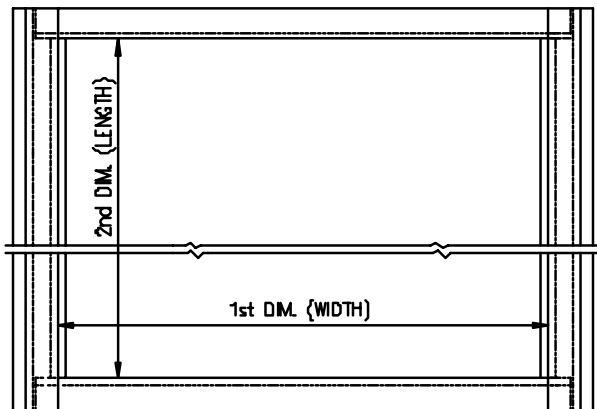
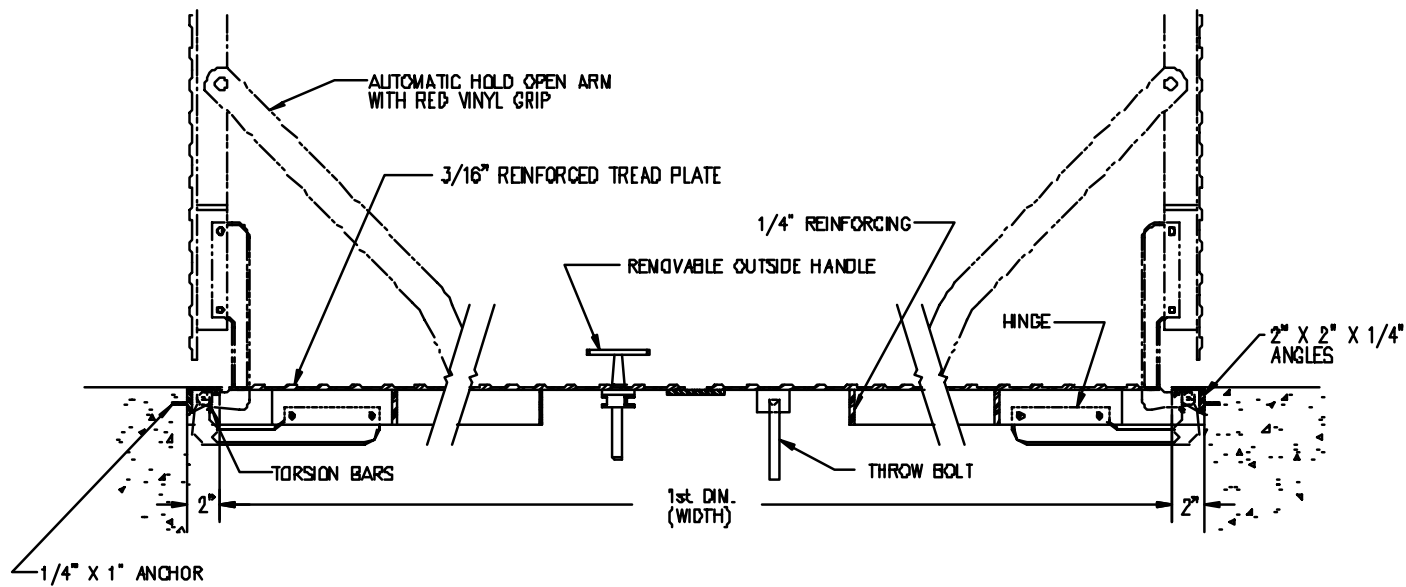
MILCOR
 COMMERCIAL PRODUCTS GROUP
 484 Thomas Drive
 Bensenville, IL 60106
 800 624-8642 Fax: 630 708-5258

DEALER	
PROJECT	
LOCATION	
ARCH.	
CONT'D	
DATE	DRAWN
REV	JOB NO.
FC-9	SHEET



NOTE:
 1.) FLAME SPRAYED UNIT
 2.) SINGLE LEAF COVER

FLUSH STEEL FLOOR DOOR FOR INTERIOR USE			
MATERIAL SCHEDULE			
QUANTITY	SIZE	COVER	FRAME
COMMERCIAL PRODUCTS GROUP MILCOR 484 Thomas Drive Bensenville, IL 60108 800 624-8847 Fax: 630 766-6260			
DEALER			
PROJECT			
LOCATION			
ARCH.			
CONT'D			
DATE	DRAWN		
REV	JOB NO.		
FA-1-4	SHEET		



- NOTE:
- 1.) FLAME SPRAYED UNIT
 - 2.) COVER SIZE: (2 PANELS)
24-11/32 X 24-9/32
 - 3.) FRAME SIZE:
O. A. 52" X 52"
 - 4.) ALL HARDWARE, OMITTED.

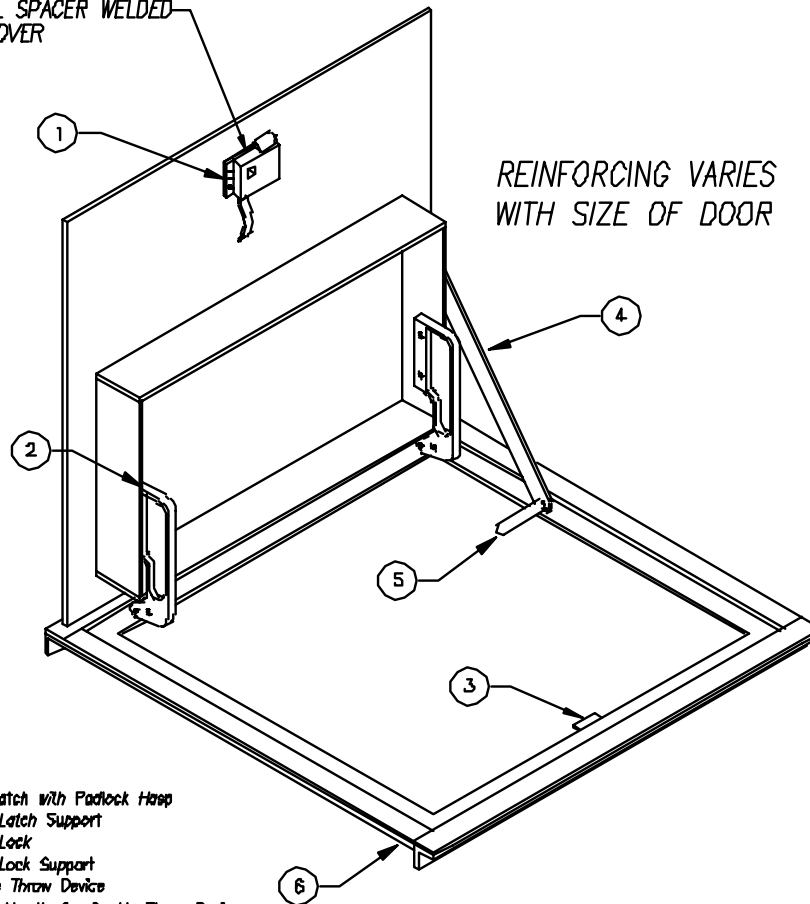
DOUBLE LEAF, FLUSH, STEEL FLOOR DOOR			
MATERIAL SCHEDULE			
QUANTITY	SIZE	COVER	FRAME
COMMERCIAL PRODUCTS GROUP MILCOR 484 Thomas Drive Bensenville, IL 60108 800 621-8042 Fax: 630 766-6250			
DEALER			
PROJECT			
LOCATION			
ARCH.			
GDNT'D			
DATE	DRAWN		
REV	JOB NO.		
FN_9	SHEET		

MILCOR FLOOR DOOR

MILCOR COMMERCIAL PRODUCTS GROUP
184 Thomas Drive
Hansenville, IL 60108
800 624-8642 fax: 630 766-6250

STEEL FLOOR DOOR

STEEL SPACER WELDED
TO COVER



- 1. Snap Latch with Padlock Hasp
- 1a. Snap Latch Support
- 1b. Slam Lock
- 1c. Slam Lock Support
- 1d. Double Throw Device
- 1e. Inside Handle for Double Throw Device
- 1f. Outside Removable T-handle
- 1g. Throw Bolt Assembly
- 2. Steel Hinge Arm
- 3. Snap Latch Catch
- 4. Hold Open Arm
- 5. Handle for Hold Open Arm
- 5a. Red Plastic Grip for Hold Open Arm
- 5b. Inside Padlock Hasp

MILCOR FLOOR DOOR

MILCOR COMMERCIAL PRODUCTS GROUP
484 Thomas Drive
Bensenville, IL 60106
800 624-6642 Fax 630 766-5950

STEEL DOOR FOR TILE OR TERRAZZO

